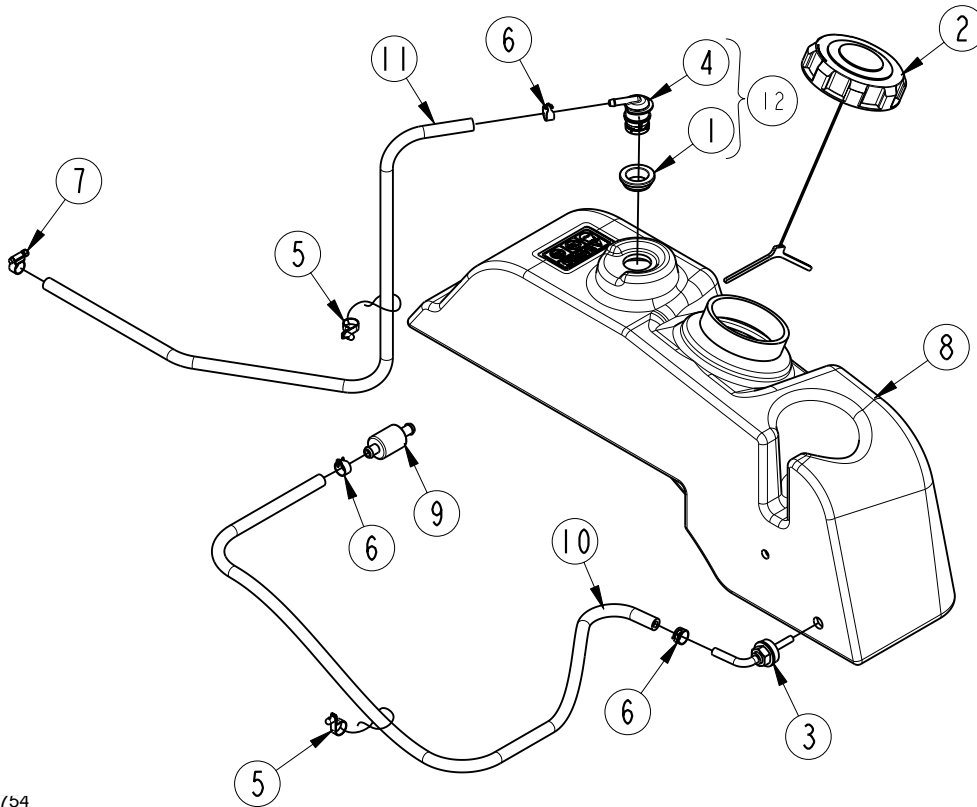


Evaporative Emission Control Components

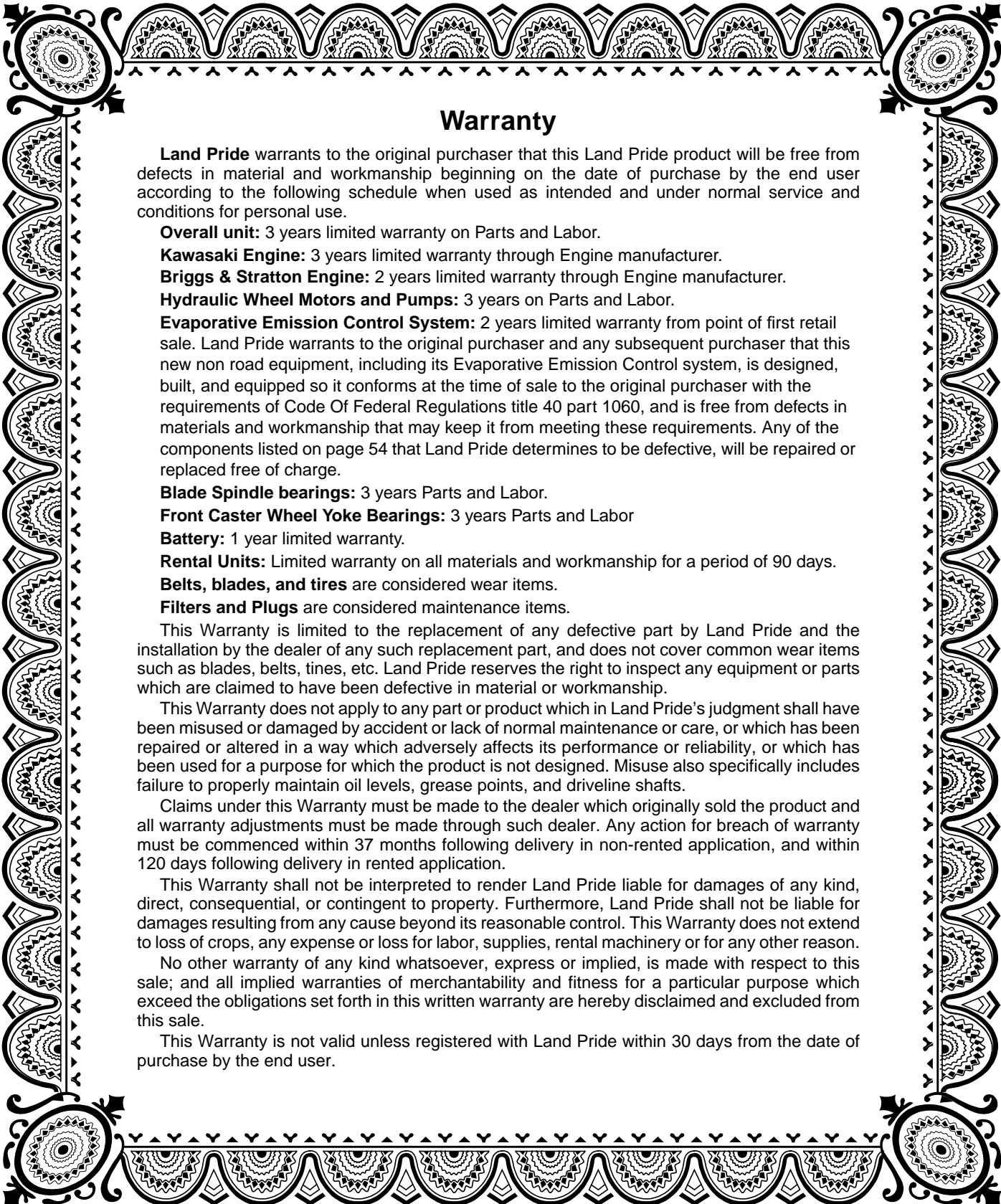
Refer to Figure 10-1:

1. GROMMET, FUEL TANK FITTING (NOT AVAILABLE SEPARATELY)
2. CAP, NON-VENTED FUEL
3. GAS TANK FITTING W/NUT&WASHER
4. EPA VALVE (NOT AVAILABLE SEPARATELY)
5. RETAINER PUSHIN, HOSE .56ID
6. CLAMP PINCH FOR .50 OD HOSE
7. CLAMP WRM DRV (.21-.63)
8. TANK, LH FUEL
9. FUEL FILTER
10. HOSE, RUBBER .25 ID/.5 OD SAE30R7
11. HOSE, RUBBER .25 ID/.5 OD SAE30R7
12. SV KIT, EPA VALVE & GROMMET



30754

Evaporative Emission Control Components
Figure 10-1



Warranty

Land Pride warrants to the original purchaser that this Land Pride product will be free from defects in material and workmanship beginning on the date of purchase by the end user according to the following schedule when used as intended and under normal service and conditions for personal use.

- Overall unit:** 3 years limited warranty on Parts and Labor.
- Kawasaki Engine:** 3 years limited warranty through Engine manufacturer.
- Briggs & Stratton Engine:** 2 years limited warranty through Engine manufacturer.
- Hydraulic Wheel Motors and Pumps:** 3 years on Parts and Labor.

Evaporative Emission Control System: 2 years limited warranty from point of first retail sale. Land Pride warrants to the original purchaser and any subsequent purchaser that this new non road equipment, including its Evaporative Emission Control system, is designed, built, and equipped so it conforms at the time of sale to the original purchaser with the requirements of Code Of Federal Regulations title 40 part 1060, and is free from defects in materials and workmanship that may keep it from meeting these requirements. Any of the components listed on page 54 that Land Pride determines to be defective, will be repaired or replaced free of charge.

- Blade Spindle bearings:** 3 years Parts and Labor.
- Front Caster Wheel Yoke Bearings:** 3 years Parts and Labor
- Battery:** 1 year limited warranty.

Rental Units: Limited warranty on all materials and workmanship for a period of 90 days.

Belts, blades, and tires are considered wear items.

Filters and Plugs are considered maintenance items.

This Warranty is limited to the replacement of any defective part by Land Pride and the installation by the dealer of any such replacement part, and does not cover common wear items such as blades, belts, tines, etc. Land Pride reserves the right to inspect any equipment or parts which are claimed to have been defective in material or workmanship.

This Warranty does not apply to any part or product which in Land Pride's judgment shall have been misused or damaged by accident or lack of normal maintenance or care, or which has been repaired or altered in a way which adversely affects its performance or reliability, or which has been used for a purpose for which the product is not designed. Misuse also specifically includes failure to properly maintain oil levels, grease points, and driveline shafts.

Claims under this Warranty must be made to the dealer which originally sold the product and all warranty adjustments must be made through such dealer. Any action for breach of warranty must be commenced within 37 months following delivery in non-rented application, and within 120 days following delivery in rented application.

This Warranty shall not be interpreted to render Land Pride liable for damages of any kind, direct, consequential, or contingent to property. Furthermore, Land Pride shall not be liable for damages resulting from any cause beyond its reasonable control. This Warranty does not extend to loss of crops, any expense or loss for labor, supplies, rental machinery or for any other reason.

No other warranty of any kind whatsoever, express or implied, is made with respect to this sale; and all implied warranties of merchantability and fitness for a particular purpose which exceed the obligations set forth in this written warranty are hereby disclaimed and excluded from this sale.

This Warranty is not valid unless registered with Land Pride within 30 days from the date of purchase by the end user.

Model Number _____

Serial Number _____