

Aerators, Pasture

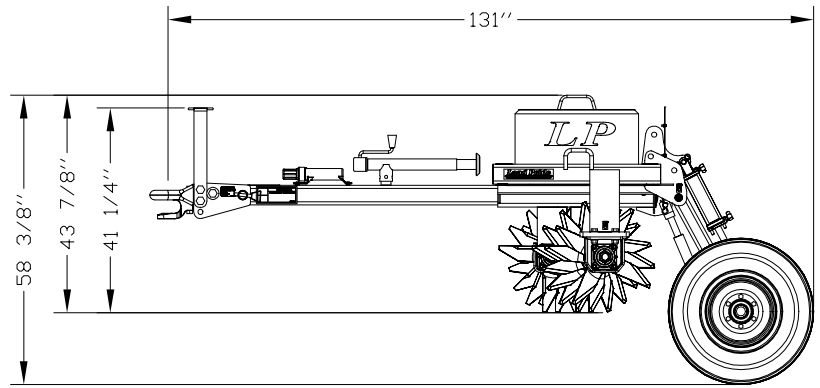
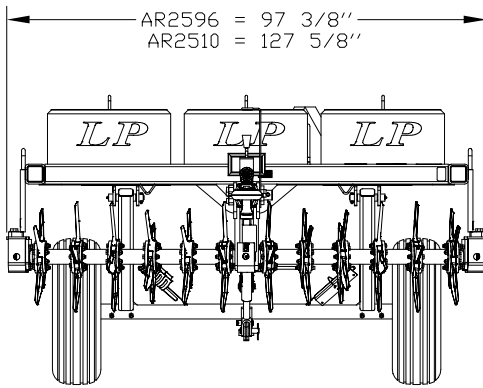
AR25 Series

Description	AR2596	AR2510
Working Width	86"	116"
Overall Width	97 3/8"	127 5/8"
Overall Length	131"	131"
Overall Height (With tines on the ground)	41 1/4" Without concrete Blocks 43 7/8" With Optional Concrete Blocks	41 1/4" Without concrete Blocks 43 7/8" With Optional Concrete Blocks
Weight (w/o added weight)	1,700 lbs.	2,200 lbs.
Number of Tines	24 LH and 24 RH (Four per hub)	32 LH and 32 RH (Four per hub)
Tine Material	Forged and heat treated through steel	
Tine Hub Spacing	7 1/2"	
Tine Penetration	Up to 8" (Depending on ground conditions and added weight)	
Frame Construction	4 x 4 tubing all welded construction	
Hitch Type	Heavy duty pull type with clevis hitch Receives up to 1 1/4" pin dia. (2-positions)	
Main Tongue Beam	4" x 4" x 5/16" Wall tubing	
Hitch Jack	Tongue support jack (5,000 lb. load rating) (Stores on pull frame)	
Rotor/Tine Support Hangers	Heavy Duty	
Rotor Bearings	Heavy Duty greaseable bearings with triple lip seals	
Rotor Bearing Protection	Bump Guards	
Rotor Angle Adjustment	Angles from 2 1/2, 5 & 7 1/2 degree increments	
Manual Storage Tube	Included	
Tires	2 ea., 9.5L x 15, 8 ply	
Rims	6-bolt	
Tine Depth Control	Add cylinder donuts to cylinder rod - included	
Hydraulic Couplings	Quick disconnects included	
Hydraulic Cylinder	3" x 8" stroke with 1 1/4" rod dia.	
Transport Lock	Manual cylinder lock	
Rear Axle Pivot	Greaseable	
Options		
Concrete Blocks	25" square x 18" high	
Number of Concrete Blocks	Available in quantities of 2 or 3	Available in quantities of 2, 3 or 4
Weight per Concrete Block	740 lbs.	
Lifting Bar	1/2" Round bar built in concrete block	
Drag Harrow	See Drag Harrow Operator's Manual 322-207M for a complete list of specifications. (Order model DRG08 as a stand alone unit.)	
Weight Settings	DRG08 = 185 lbs. Three positions: Light, Medium and Aggressive	
Drag Harrow Lift	Can be added to lift Drag Harrow off the ground without getting off the tractor. Drag Harrow sold separately,	
Weight	345 lbs.	
Hydraulic Cylinder	2" x 8" stroke with 1 1/8" rod dia.	
Transport Lock	Included	
Slow Moving Vehicle Sign	Included	
Accessories		
Trailing Hitch	Self leveling (Buy through Parts, Part No. 325-118A)	
Corner Protector	Protects straps from concrete corners (Buy through Parts, Part No. 816-646C)	

Designs, specifications, features and information are subject to change without notice.

Specifications & Capacities

Aerators, Pasture



30075

Designs, specifications, features and information are subject to change without notice.