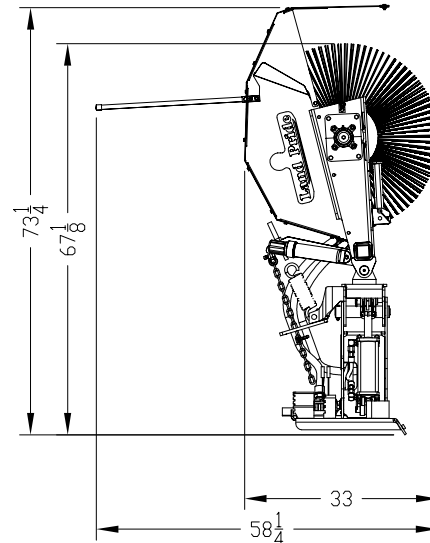
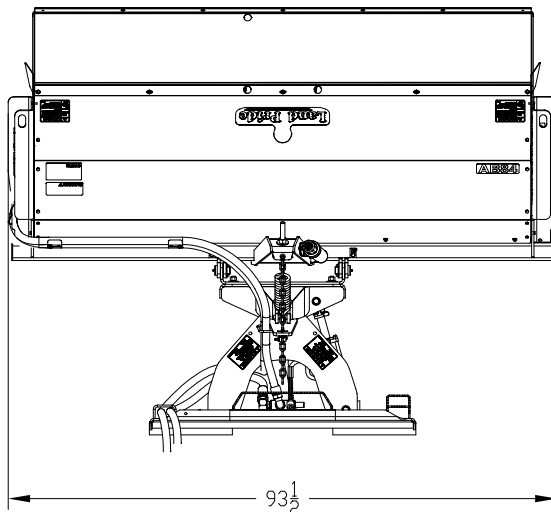


Angle Broom

Model AB84

Description	Specification
Hitch	Universal quick coupler plate mount
Weight	930 lbs. (With high flow set-up, hydraulic angling jack & combination broom.)
Overall Width	93 1/2"
Overall Height	33"
Sweeping Width	84"
Maximum Angle	Manual Angling: 30 Degrees left or right Optional Hydraulic Angling: 30 Degrees left or right
Sweeping Width @ 30 Degrees Max Angle	76"
Brush Diameter	32"
Brush Rotor Shaft	Quick change broom core with no hydraulic breakage in changeover
Hex Drive System	Replaceable
Brush Bristle Type	100% Poly or 100% Metallic or 50% Poly and 50% Metallic
Wafer Quantities, Poly & Wire	2 Straight Wafers & 40 Convuluted Wafers
Wafer Quantities, Combination	2 Straight Wafers & 40 Convuluted Wafers
Hood	Sheet Metal
Jack Stands	Standard
Float Control	Spring Loaded with adjustable down pressure & stops
Hydraulic GPM Range	12-30 GPM
Motor Rated Hydraulic Flow 18 CID Motor 23 CID Motor	18 GPM @ 220 RPM brush speed ("High Flow" option not available.) 25 GPM @ 230 RPM brush speed ("High Flow" option available for units capable of producing flows above 25 GPM. This option protects the hydraulic motor by diverting excess flow back to the tank.)
Minimum Hydraulic Flow Required	12 GPM @ 2000 PSI
Maximum Hydraulic Pressure Rating	3500 PSI
Brush Speed Range	100 - 230 Rpm
Hydraulic Rotor Drive Motor	Single motor drive standard
Hydraulic Hoses	Standard for drive motor hook-up Optional with angling cylinder
Hydraulic couplers	Standard



Designs, specifications, features and information are subject to change without notice.

27555