

Specifications & Capacities

Food Plot Seeder, Plot Ranger

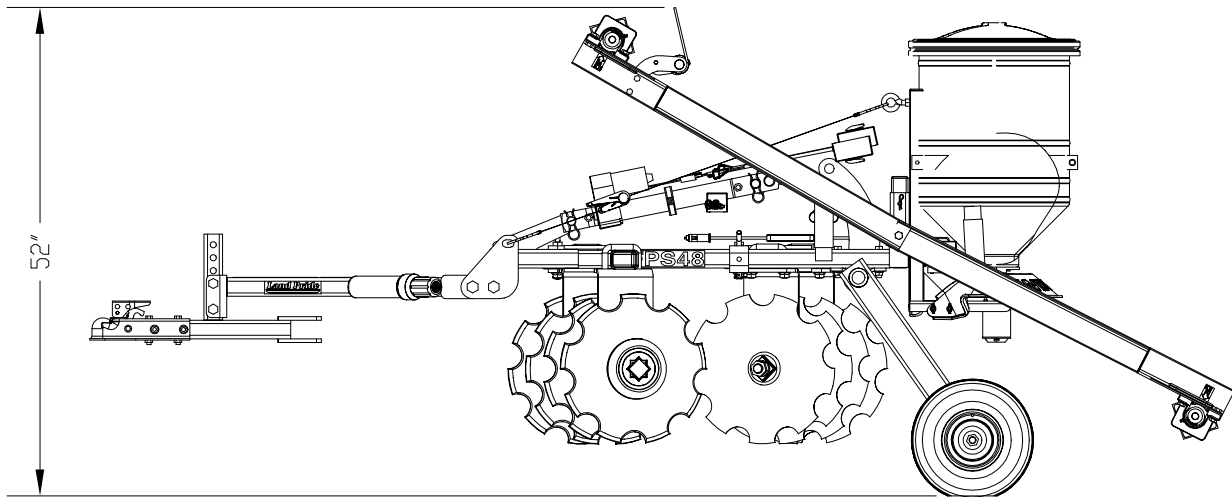
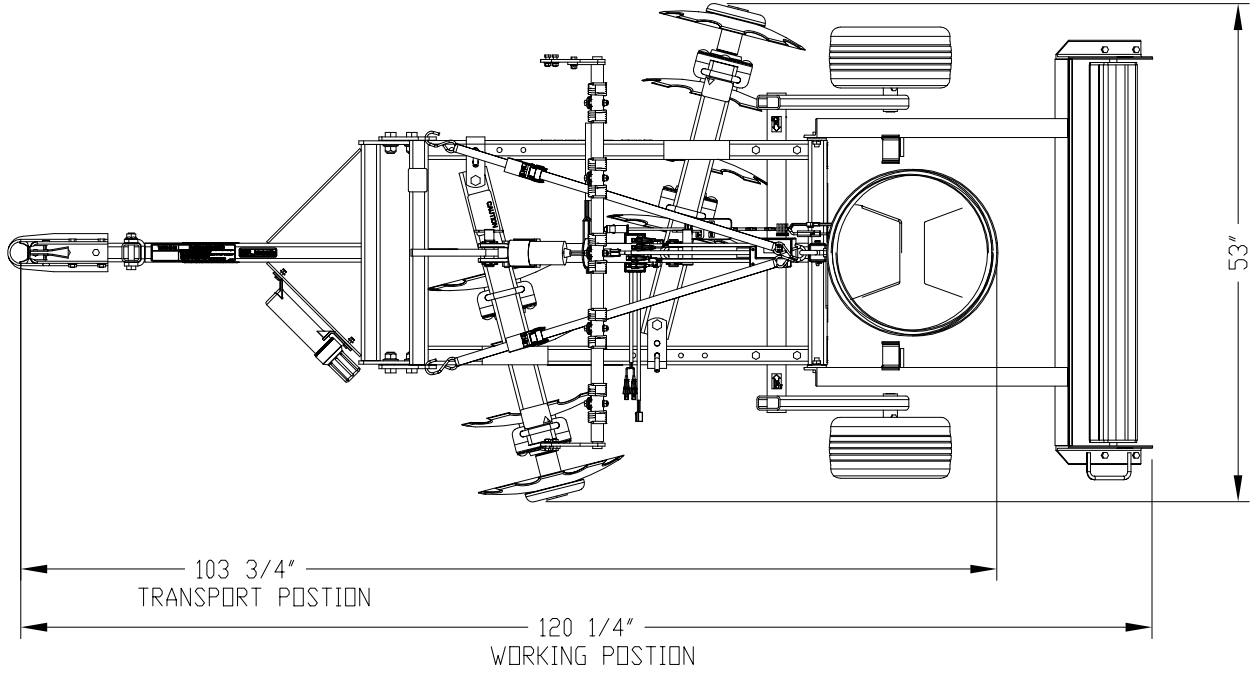
FPS48 Model

Description	Specification
Hitch Type	Pull type with optional 2" ball hitch or clevis hitch
Base Unit Weight	370 lbs.
Base Unit Weight with Spin Spreader and Packer	510 lbs.
Disc Cutting Width	40" to 50"
Minimum ATV Size	350 cc
Minimum Tractor/vehicle Size	17 hp
Height	52"
Length	104"
Width	54"
Weight Load on Each Disc	46 lbs.
Number of Disc Blades	8
Disc Blade Size & Type	16" Notched
Blade Spacing	7 1/2"
Transport / Gauging Tires	13" Diameter 4 ply tubeless
Bearing Hanger	3/8" Plate
Bearing Type, 2 per Gang	Self Aligning, Sealed Bearing
Gang Tube	3" x 2"
Gang Axle	1" Square high carbon steel
Disc Angle	Front Gang: 0, 7, 14 & 21 degrees Rear Gang: 0, 7, 14 & 21 degrees
Frame Construction	2" x 2" Square tubular design
Lifting Device	Ratchet Jack or Linear Actuator, 12 volt
Rear Axle pivot Type	Greasable
Rear Roller Bearing	Greasable
Optional Spin Spreader and Packer	
Packer Roller Width	40 7/16"
Spreading Device	Spin Spreader, 12V
Spreader Hopper Loading Height	42" off ground
Spin Spreader Volume/Capacity	2 cu. ft. (15 gallons) (100 lbs. Maximum capacity weight)
Spin Spreader Deflector	Diverts seed to smaller spreading width. Seed rate charts calculated at 48"
Small Seed Restrictor	Restricts small seed for smaller distribution levels.

Designs, specifications, features and information are subject to change without notice.

Specifications & Capacities

Food Plot Seeder, Plot Ranger



26757

Designs, specifications, features and information are subject to change without notice.