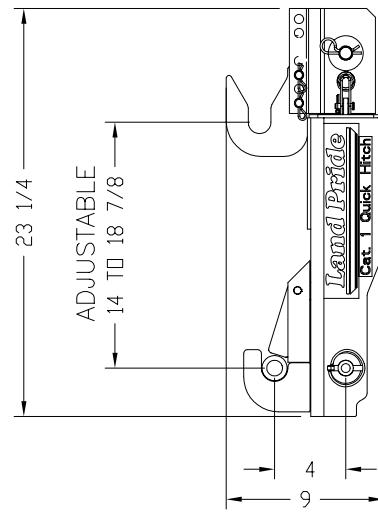
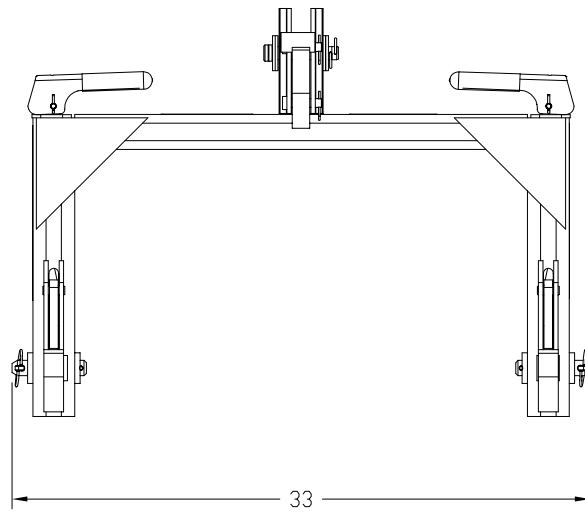


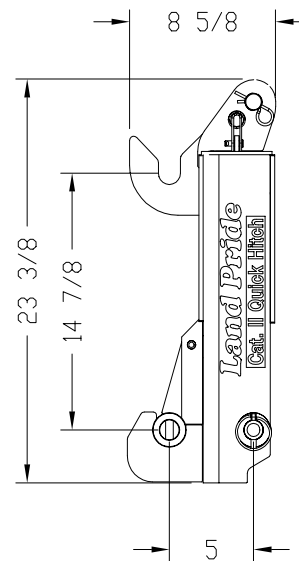
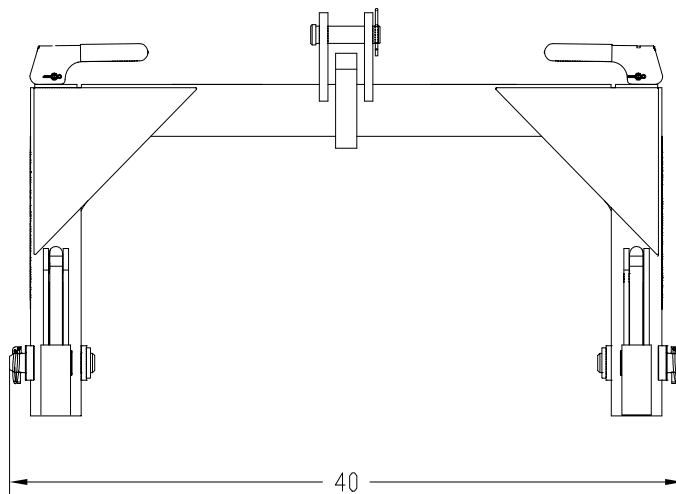
Hitches

QH15 & QH20 Quick Hitches		
	QH15	QH20
Hitch	Category 1, 3-point	Category 2, 3-point
Overall Width	33"	40"
Overall Height	23 1/4"	23 3/8"
Overall Length	9"	8 5/8"
Weight Without Floating Top Link	70 lbs.	120 lbs.
Top Hitch	Adjustable	Stationary
Lock	Automatic on lower 3-point arms	



26874

QH15 Quick Hitch
Figure 5-1



24879

QH20 Quick Hitch
Figure 5-2

Designs, specifications, features and information are subject to change without notice.