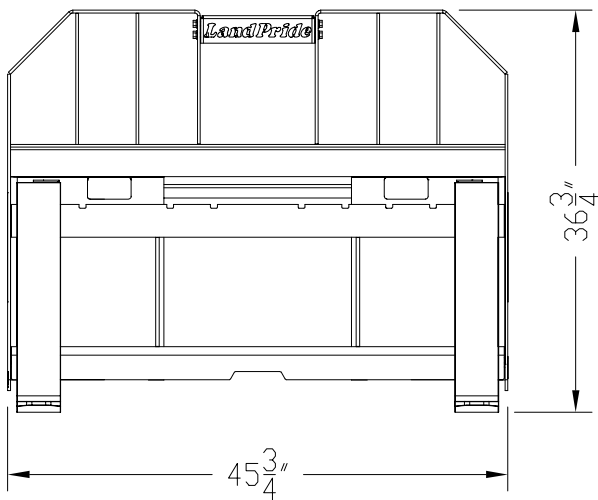


# Specifications & Capacities

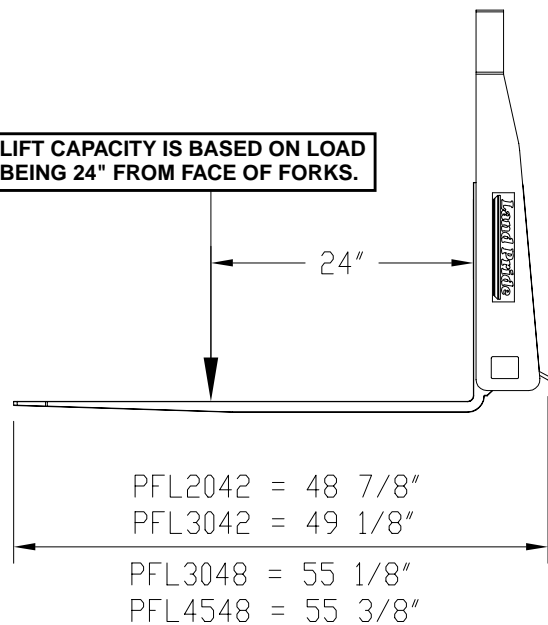
## Pallet Forks

### PFL20, PFL30 & PFL45 Series

Description	PFL2042	PFL3042	PFL3048	PFL4542	PFL4548
<b>Lift Capacity</b>	2,100 lbs.	3,000 lbs.		4,500 lbs	<b>Lift Capacity</b>
	Lift capacity is based on load being 24" from face of forks. Load must be palletized and supported by two forks.				
<b>Tine Length</b>	42"	42"	48"	48"	<b>Tine Length</b>
<b>Weight</b>	330 lbs.	359 lbs.	376 lbs.	409 lbs.	<b>Weight</b>
<b>Tine Thickness</b>	1"	1 1/4"		1 1/2"	<b>Tine</b>
<b>Tine Width</b>	4"				<b>Tine Width</b>
<b>Back Frame Guard</b>	1/4"				<b>Back Frame</b>
<b>Fork Position Lock</b>	Spring Loaded Toggle				<b>Fork Position</b>



LIFT CAPACITY IS BASED ON LOAD BEING 24" FROM FACE OF FORKS.



27548

Designs, specifications, features and information are subject to change without notice.