

Rotary Cutters, Single Deck

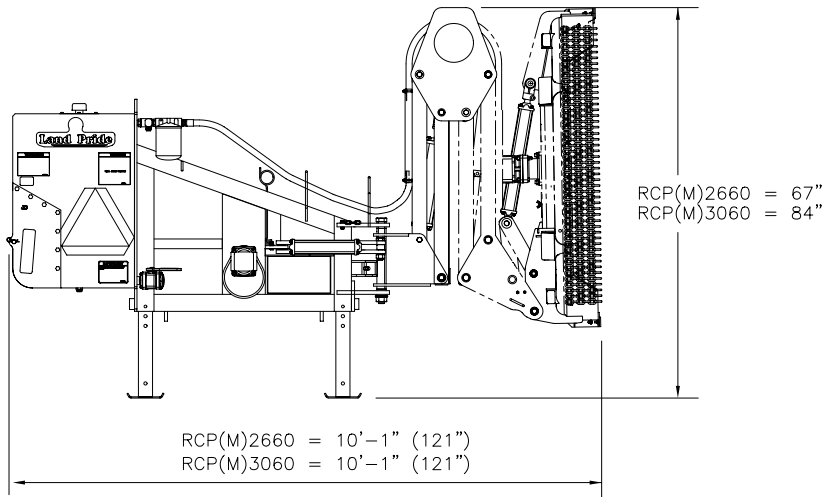
RCP(M)2660 & RCP(M)3060 (Parallel Arm)

	RCP2660	RCPM2660	RCP3060	RCPM3060
PTO Input Speed	540 RPM	1000 RPM	540 RPM	1000 RPM
Deck Motor RPM	1000 RPM @ 540	1000 RPM @ 1000	1000 RPM @ 540	1000 RPM @ 1000
Minimum Tractor Horsepower	75 HP		95 HP	
Minimum Base Tractor Weight	8,000 Lbs. without added weights		12,000 Lbs. without added weights	
Weight	1,690 lbs (No fluid and without gauge wheels)		2,225 lbs (No fluid and without gauge wheels)	
Cutting Width	58"		58"	
Overall Width (Fully Extended)	19'-9"		22'-11"	
Transport Width	10' (without gauge wheels)		10' (without gauge wheels)	
Minimum Cutting Height (Deck Level)	2"		2"	
Maximum Horizontal Reach from Center Tractor	15'-6" (186")		18'-10" (226")	
Maximum Vertical Reach (Above Horizontal)	11'-5" (137")		13'-5" (161")	
Maximum Vertical Reach (Below Horizontal)	9'-1" (109")		11'-0" (132")	
Deck Rotating Arc	180 Degrees			
Blade Tip Speed	15,000 FPM			
Blade Size	1/2" x 4"			
Blade Rotation	Clockwise			
Blade Bolt	1 1/2" With keyway; nut			
Dishpan	3/16" X 21" Round, dish shaped			
Cutting Capacity	2" Max.			
Deck Thickness	10 GA			
Speed Ineraser Fluid	80-90W EP Gearlube			
Hydraulic Fluid	Mobil 424			
Reservoir Capacity and Filter	35 Gallons / Conventional 10 Micron Filter			
Hydraulic Fluid Flow Rate	15 GPM (approx.)			
Overload Protection	Hydraulic relief valve			
Breakaway Protection	Hydraulic Cylinder			
Driveline	ASAE Category 2			
Hitch	3-Point Cat. 2 & 3 with clevis style lower hitch, Quick Hitch adaptable			
Skid Shoes	1/4" Reversible			
	Gauge Wheel Option			
Gauge Wheels	Three 13 x 5.00 - 6 Semi-solid smooth tires with greasable caged roller bearings.			
Height Adjustment	Two Ratchet jacks			
	Hydraulic Control Options			
Options	Tractor Control With or Without Deck Float			
	Solenoid Control With or Without Deck Float			
	Independent Control With or Without Deck Float			
	Optional Equipment			
	Operator Protective shield			

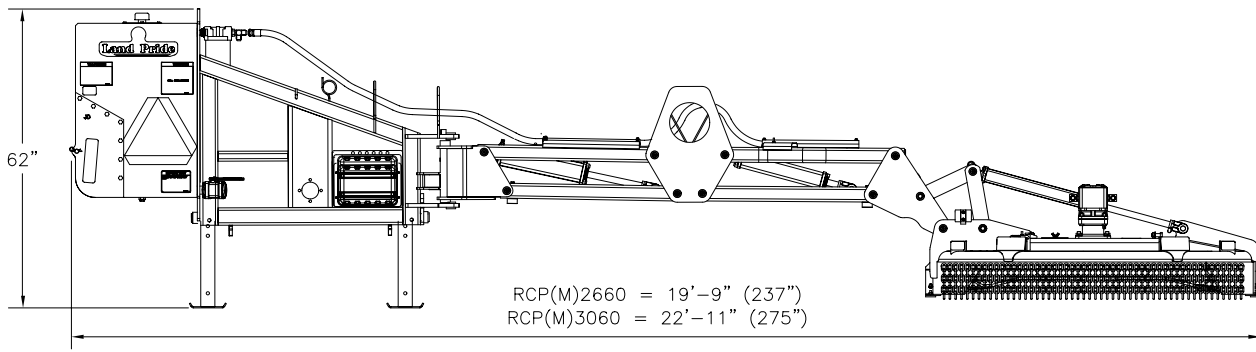
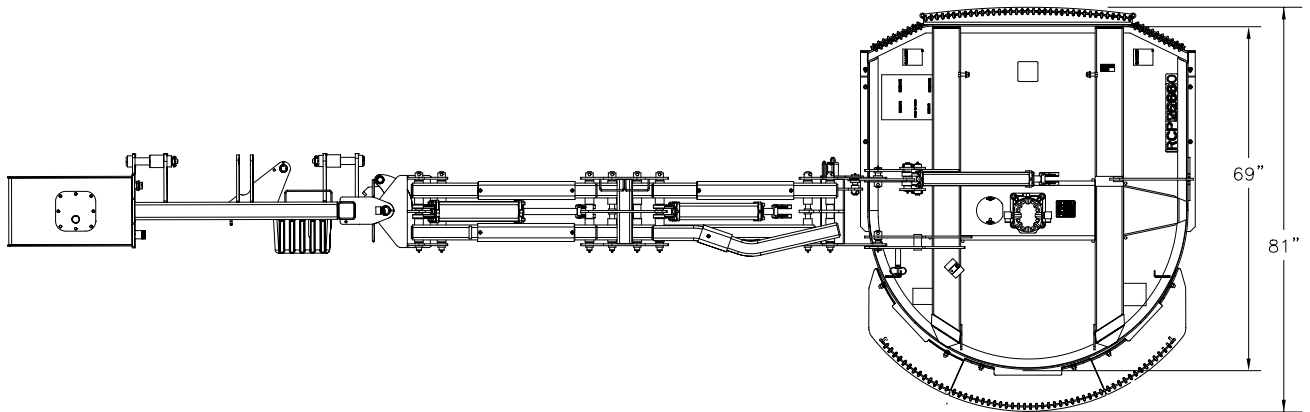
Designs, specifications, features and information are subject to change without notice.

Specifications & Capacities

Rotary Cutters, Single Deck - RCP(M)2660 & RCP(M)3060



FOLDED TRANSPORT POSITION



FULLY EXTENDED FIELD POSITION

22005

Designs, specifications, features and information are subject to change without notice.