

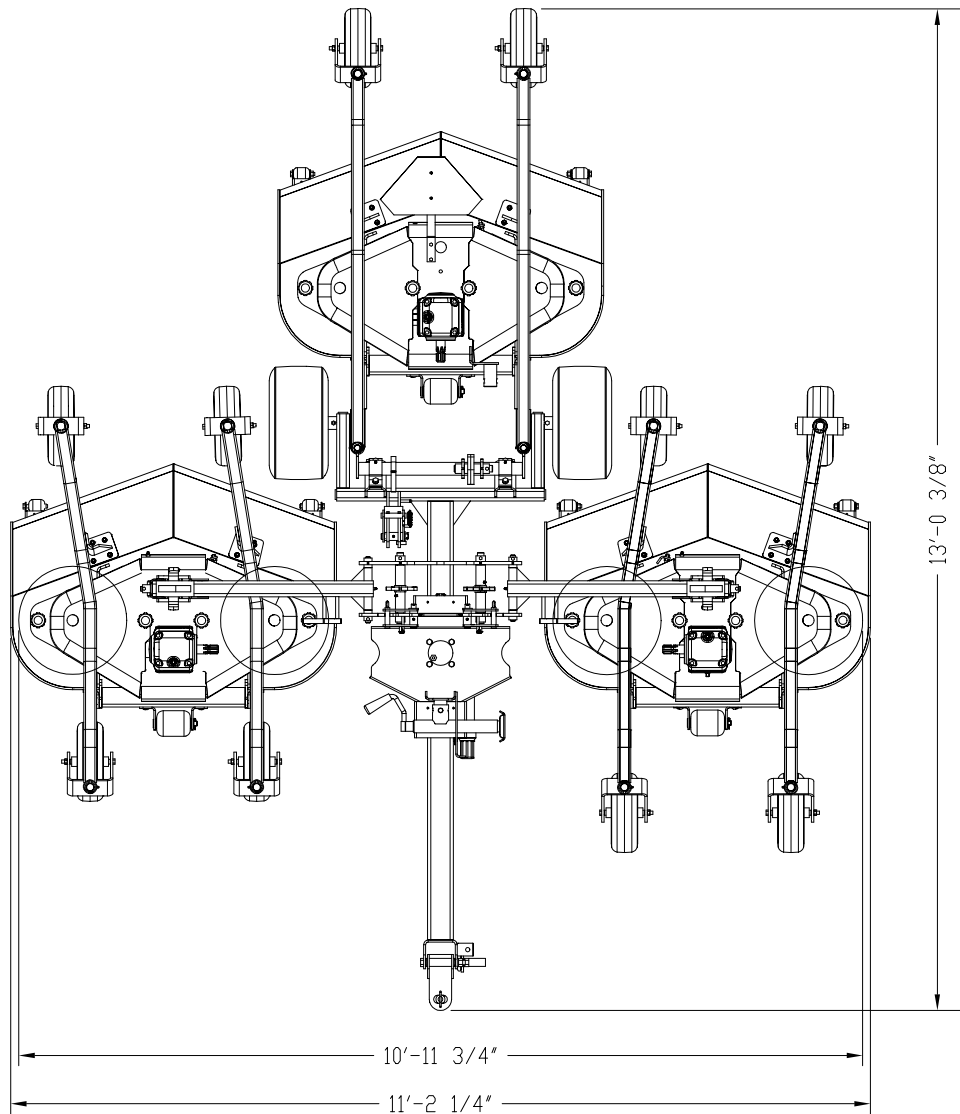
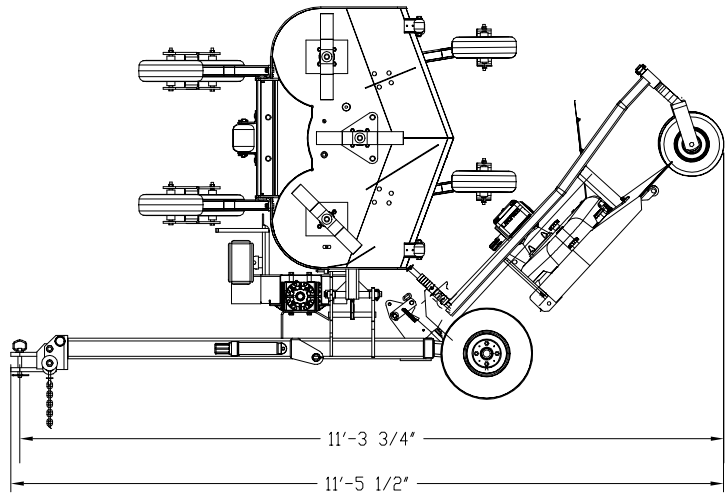
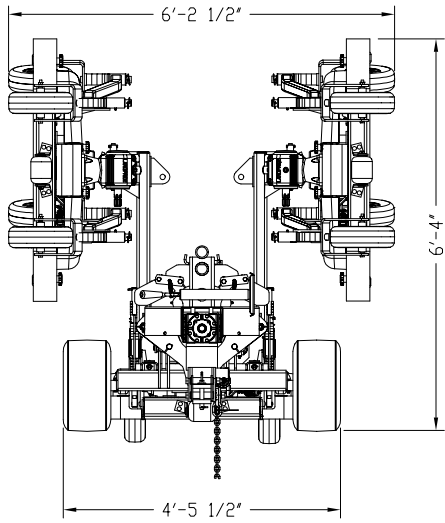
All Flex Mowers

AFM4211 Series	
	Specification / Capacity
Discharge Type	Rear
Cutting Width	11'- 1"
Overall Width	11'- 3 1/2"
Transport Height	6'-5"
Transport Width	5'-6" At Mid Cutting Height
Overall Length	10'-11" Transport Position
Machine Weight	2,040 lbs.
Tractor Horsepower	Minimum 30 HP and Maximum 65 HP
Hitch	Pull Type With Adjustable Clevis and Safety Tow Chain
Tongue Support	2,200 lb. Capacity Screw Jack
Gearbox Support	3/8" Steel Channel
Gearboxes	540 RPM (1)-Splitter Gearbox and (3)-Wing Gearboxes
Main Driveline (1)	Category III Constant Velocity With or Without Slip Clutch
Deck Drivelines (3)	Category II With or Without Slip Clutch
Cutting Height	1" to 5 1/2" in 1/2" increments
Deck Size and Quantity	3 each at 48"
Deck Overlap	6"
Deck Thickness	3/16"
Anti-Scalp Roller	Front Center and Rear Outside Deck Corners
Blade Drive Belt	(1) - B-Section
Drive Belt Tensioning	Spring Loaded Idler
Blade Bearings	Sealed Ball Bearings
Blades Size and Type 3 Each Per Deck	1/4" x 2 1/2" x 16 7/8" Medium Lift Standard Optional Blades - Low Lift, High Lift & Mulching
Blade Overlap	1 3/16"
Blade Spindle Speed	3,628 RPM
Blade Tip Speed	16,020 FPM
Deck Tires	10 Each, Air 13" x 5", Sealant With Tapered Roller Bearings
Deck Wheel Spindles	1 1/4" With Nylon Bushings
Transport Tires	2 Each, 18" x 9.5", Sealant With Tapered Roller Bearings
Transport Locks	Automatic Transport Locks With Pull Rope Release
Wing Flex	23 Degrees Left To Right 22 Degrees Front To Back
Center Deck Flex	13 Degrees Front To Back
Hydraulic Outlets	1 Set Required
Deck Cylinders	Dual Acting
Gauge Wheel Arms	1/4" Wall Square Tubing
Turning Radius	Zero Turning Radius
Mowing Capacity	@ 2 MPH = 2.68 Acres Per Hour @ 4 MPH = 5.37 Acres Per Hour @ 6 MPH = 8.10 Acres Per Hour

Designs, specifications, features and information are subject to change without notice.

Specifications & Capacities

All Flex Mowers



Designs, specifications, features and information are subject to change without notice.