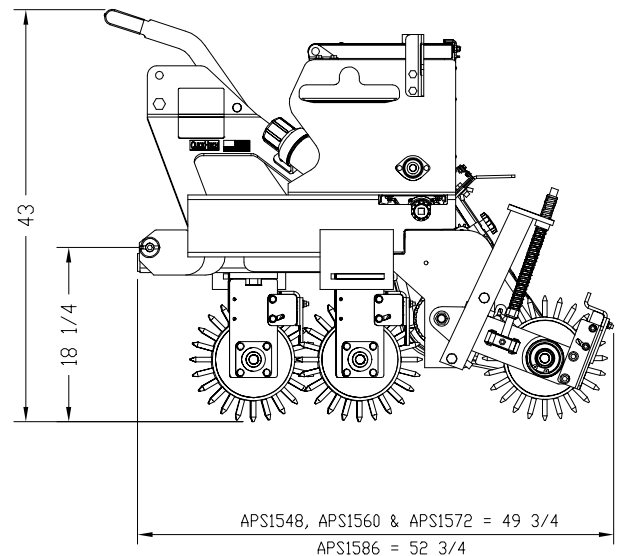
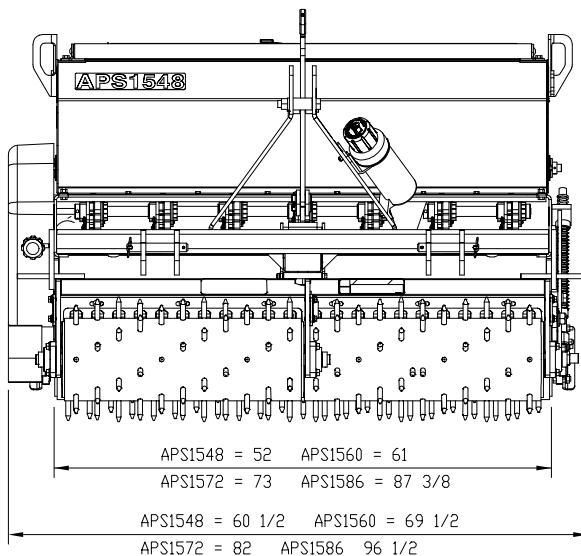


All Purpose Seeder

APS1548, APS1560, APS1572, & APS1586

Description	APS1548	APS1560	APS1572	APS1586
Overall Width	61 3/8"	73 3/8"	85 3/8"	99 3/8"
Seeding Width (Broadcast)	52"	61"	73"	87 3/8"
Weight (Approximate Pounds)	700#	884#	1046#	1320#
Hitch APS1548, APS1560 & APS1572 APS1586	Category I Formed A-frame plates; Fits Land Pride Quick-Hitch Category I & II Formed A-frame plates; Fits Land Pride Quick-Hitch			
Seed Capacity	1 Bushel/Foot (4 bushel)	1 Bushel/Foot (5 bushel)	1 Bushel/Foot (6 bushel)	1 Bushel/Foot (7 bushel)
Number of Seed Cups	7	8	10	12
Seed Cup Type	Fluted for accurate metering			
Seed Cup Door	Four position door for different seed sizes and complete clean out of seed cup			
Seed Drop	Wind Guarded			
Seed Box	Water tight with paddle type agitating above seed cups			
Seed Box Lid	Heavy duty lid with seed splash guard			
Seed Cup Settings	Wide range of calibration settings per 1000 square feet and per acre			
Seed Cup Drive	Metering rear roller ground drive with spring loaded #40 roller chain, high/low speed change sprocket, spring tensioned idler & seed drive shut-off pin			
Front Rollers	Two 8" Diameter spiked rollers capable of angling from 0 to 20 degrees each and mounted on 1" sealed greaseable bearings			
Rear Roller Option	Straight 8" diameter spiked roller Straight 11 9/16" diameter cast notched packer rings			
Rear Roller Mounting	Spring loaded mounted on 1" sealed greaseable bearings			
Roller Spike Size	1 1/2" x 1/2"			
Mud Scrapers Option	Bolt on mud scrapers for front and rear spiked rollers. Bolt on mud scrapers for front spiked rollers & rear packer roller.			



26739

Designs, specifications, features and information are subject to change without notice.