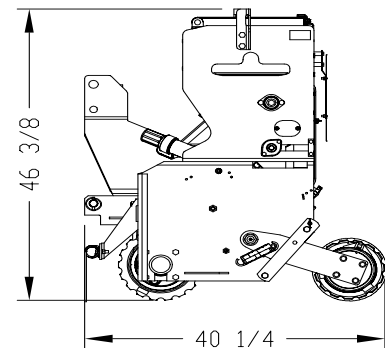
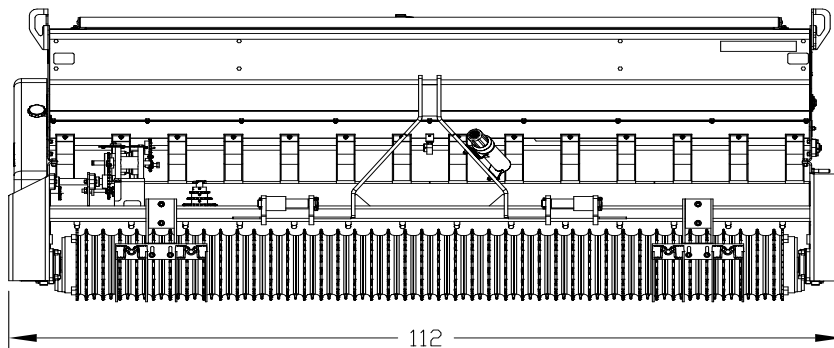


Primary Seeders

PSN2096 Model	
PSN2096 (Base Unit)	
Seeding Width	8' 6"
Overall Width	9' 4"
Overall Height	46 3/8"
Overall Length	40 1/4"
Empty Weight	1810 lbs. (Includes base unit with standard seeds box and Small Seeds Box)
Native Grass Seedbox Capacity	8 bushels
3-Point Tractor Hitch	Category 2 & 3; Quick-Hitch Adaptable, See optional pull-type hitch below
Minimum HP Required	See hitch Category and/or capacity
Maximum HP	Cat. 3 Tractor hitch
Main Seedbox Construction	Continuous welded, 14 gauge steel
Lid construction	Heavy duty precision fit with seed splash guard
Ground Drive Metering	Driven from right side of front roller with #40 Roller chain
Seed Cup Drive	Chain Driven from right side of front roller
Seed Cup Agitation	Chain driven paddle type agitators above seed cups
Seed Cups	14 Fluted cups for Accurate Metering
Seed Settings	Wide range of calibration
Seed Drop	Wind guarded
Track Removers	Two each double torsion springs, height adjustable and replaceable.
Bed Forming Rollers - Front	12" OD notched, cast iron, 42 each with 1 1/2" sealed greaseable bearings
Packer Rollers - Rear	9 1/2" OD notched, cast iron, 43 each with free floating mounting tube and 1" greaseable bearing mounted on pivoting spring loaded arms
Optional Add-on Seed Boxes	
Standard Seeds box	5 bushels capacity with: <ul style="list-style-type: none"> • Chain driven seed cups. • Chain driven paddle type agitators above seed cups.
Small Seeds Box	2 bushels capacity with: <ul style="list-style-type: none"> • Chain driven seed cups.
Optional Pull Type Hitch	
Wheel Base	69" Center to Center
Length	95"
Hook-Up	Quick Attach Type Hook-Up
Tires - 2 ea.	9.5" L X 15" 12 Ply Tires
Cylinder	4" X 14" with Transport Lock valve
Tongue Jack	Standard
Weight (Approximate Pounds)	720 lbs.



Designs, specifications, features and information are subject to change without notice.

26788