

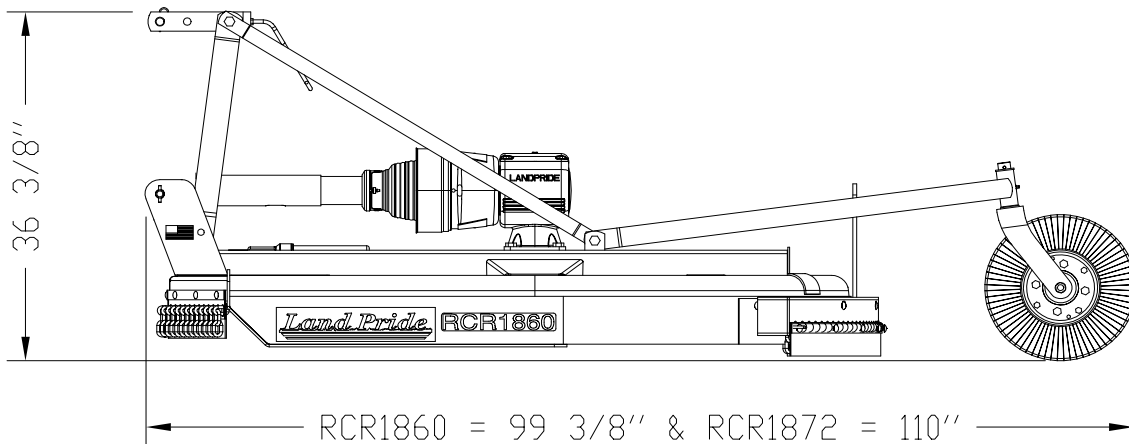
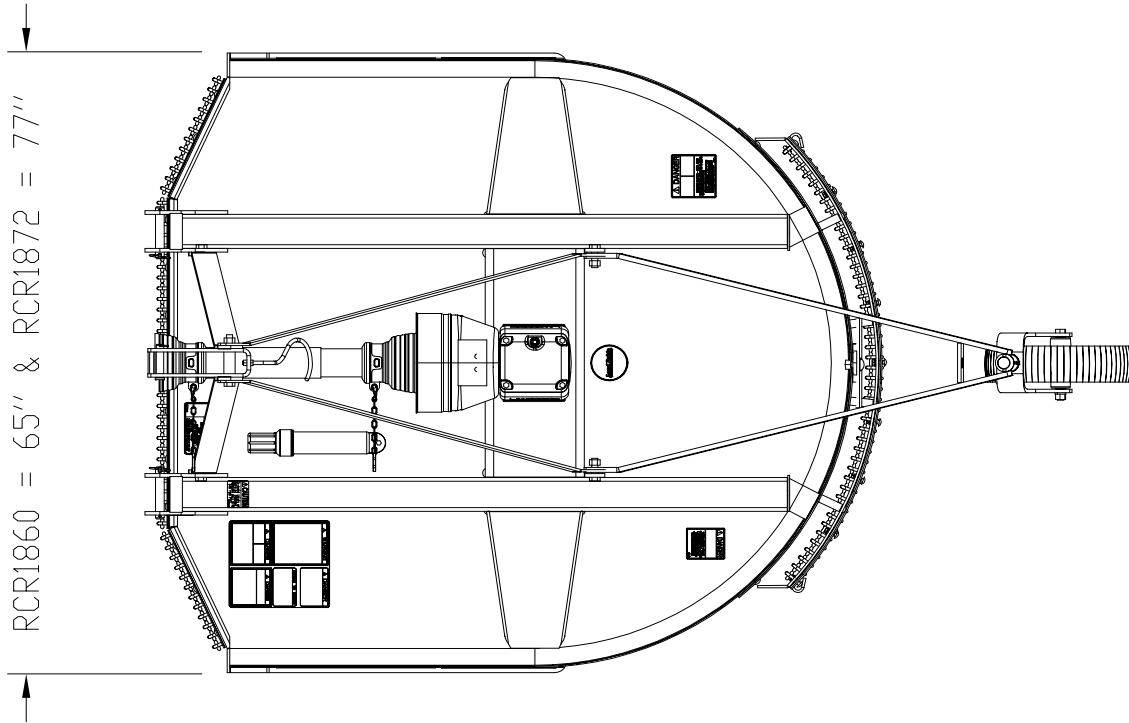
Rotary Cutters Single Deck

RCR1860 & RCR1872 Models		
	RCR1860	RCR1872
Machine Weight	599 lbs. With laminated tailwheel, slip clutch driveline, Front Rubber Guards and Rear Metal Band	737 lbs.
Hitch	Category I with Floating Clevis Top Link, Quick Hitch Adaptable	
Cutting Width	60"	72"
Overall Width	65"	77"
Overall Length	99 3/8"	110"
Deck Height (Bottom of Deck to Bottom of Skid Shoe)	7 1/2"	9"
Cutting Height	1 1/2" - 13"	1 1/2" to 11 1/2"
Cutting Capacity	2" Diameter	
Recommended Tractor PTO HP	20-65 HP	
PTO Speed	540 rpm	
Gearbox	1:1.93 Speed-Up Beveled Gears Cast Iron Housing	1:1.46 Speed-Up Beveled Gears Cast Iron Housing
Gearbox Oil Capacity & Lubricant	4.25 Pints of EP 80-90W oil	4.00 Pints of EP 80-90W oil
Deck Construction	All Welded Deck	
Deck Material Thickness	10 Ga. (.134")	
Side Skirt Material Thickness	10 Ga. (.134")	
Skid Construction	Full length welded on	
Stump Jumper	Round Pan 10 ga. x 24" with Blade Holder Bar	
Blades (2)	1/2" x 3" Heat Treated Alloy Steel Free-Swinging High Lift - Low Friction	
Blade Bolts	Keyed with harden flat washers & lock nuts.	
Blade Tip Speed	16,363 fpm	14,955 fpm
Driveline	ASAE Category 3 Shear Bolt or 2-plate Slip Clutch	
Driveline Protection	Optional - Center Shearbolt protection Optional - Center Bolt 2 plate Slip Clutch	
Tailwheel Mount Assembly	Welded A-arm and Caster Fork with 360 degree swivel	
Tailwheel	4" x 8" x 15" Laminated Tire with cast iron hub or 4" x 16" Molded Rubber Tire	
Front Guard	Optional: Rubber Belting Accessory: Chain Guard	
Rear Guard	Standard: Metal Band Optional: Rubber Belting Accessory: Chain Guard	

Designs, specifications, features and information are subject to change without notice.

Specifications & Capacities

Rotary Cutters Single Deck



26814

Designs, specifications, features and information are subject to change without notice.