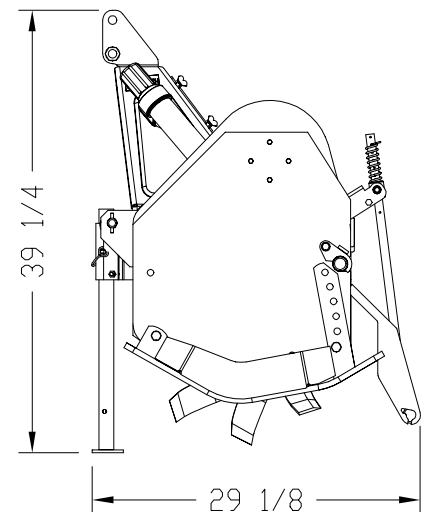
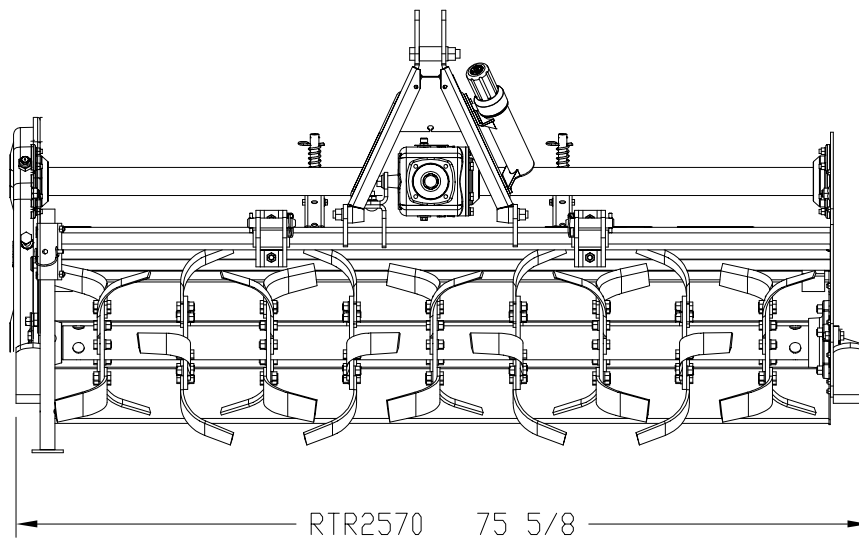


**Rotary Tillers**

<b>RTR2570 Model</b>	
<b>Recommended Tractor PTO HP</b>	25-55 Horsepower (55 hp maximum)
<b>Weight</b>	868#
<b>Tilling Width</b>	70"
<b>Overall Width</b>	76"
<b>3-Point Hitch Type</b>	Category 1 with Adjustable lower Hitch Clevises Fits Land Pride Quick-Hitch
<b>Offset Capabilities</b>	Yes (Cannot offset with Quick-Hitch)
<b>Number of Flanges</b>	9
<b>Number of Tines per Flange</b>	6 "C" blades
<b>Tine Construction</b>	High Carbon heat treated "C" shaped blades
<b>Skid Shoes</b>	Adjustable
<b>Storage Stands</b>	Adjustable
<b>Rear Deflector</b>	Spring Loaded, adjustable, profile stamped rear deflector
<b>Front Protector</b>	Plate with reinforced rubber insert
<b>Driveline</b>	ASAE Category III Heavy Duty Friction Clutch-Standard
<b>Gearbox</b>	45 HP Input at 540 rpm 1.92:1 Ratio Cast Iron Housing, Straight Bevel Gears
<b>Gearbox Oil Capacity and Type</b>	3.17 Pints of Gear Lube 80-90W EP
<b>Drive Chain</b>	#100 Roller chain - Fully enclosed in oil bath with drain plug, fill plug & skid protection
<b>Drive Chain Lubrication</b>	Shell Alvania EP 00
<b>Sprockets</b>	Splined Bores
<b>Rotor Swing Diameter</b>	17"
<b>Rotor Shaft Speed</b>	220 rpm at 540 rpm PTO
<b>Recommended Tractor PTO HP</b>	25-55 Horsepower (55 hp maximum)



17679

*Designs, specifications, features and information are subject to change without notice.*