

**Grooming Mowers**

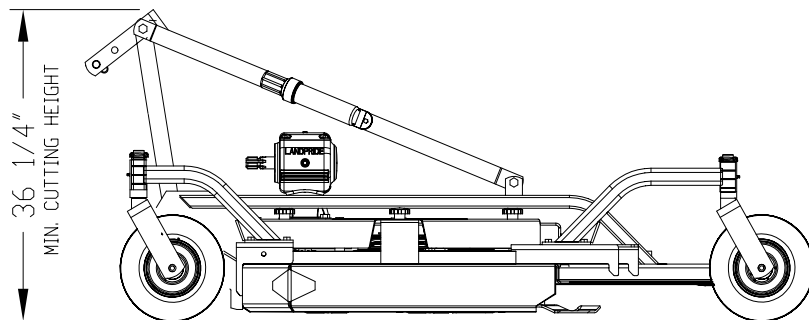
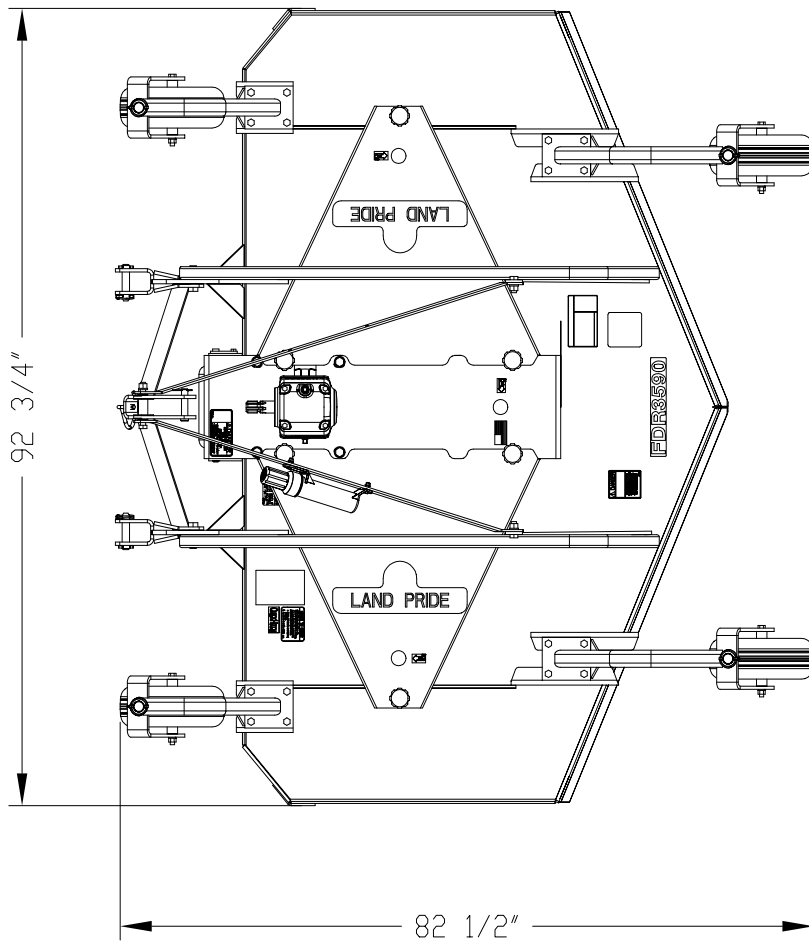
**FDR3590 Rear Discharge Mower**

	FDR3590
Max. Engine HP.	60 HP.
Cutting Width	90"
Overall Width	92 3/4"
Height	36 1/4"
Length	82 1/2"
Weight (Semi-Solid Tires)	1026 lbs.
Cutting Height (1/2" increments)	3/4" to 5 1/4"
Deck Material Thickness	3/16"
Blade Tip Speed	18,500 F.P.M.
Blade Construction -3 ea.	5/16" x 2 1/2" x 31 1/2" Medium lift - Hardened
Blade Options	Standard Blades: Medium Lift Optional Blades: Low Lift, High Lift & Mulching
Blade Overlap	2 1/4"
Blade Spindles	Cast Iron Greasable hubs: 1 3/8"
Discharge	Rear
Hitch	Category I, Lower Hitch: Floating Clevis with Plated Pins Top Link: Floating Clevis
Lower Hitch	Floating Clevis with Plated Pins
Top Link	Floating Clevis
Caster Gauge Wheels	5" x 13" Semi-Solid Tire with Bearings
Caster Wheel Spindle	1 1/4" Diameter with Nylon Bushings
Drive Train	Cast Iron Housing Gearbox With Beveled Gears, 1:2.83 Ratio Spring Loaded Single V-Belt
Gearbox Oil Capacity & Type	3.5 Pints of 80-90W EP Gear Lube
Driveline	Heavy-Duty W/Quick Coupler Cat. 4
Front Roller	Optional
Quick Hitch Compatible	Fits Land Pride Quick-Hitch after S/N 294658

*Designs, specifications, features and information are subject to change without notice.*

# Specifications & Capacities

## Grooming Mowers



26764

*Designs, specifications, features and information are subject to change without notice.*