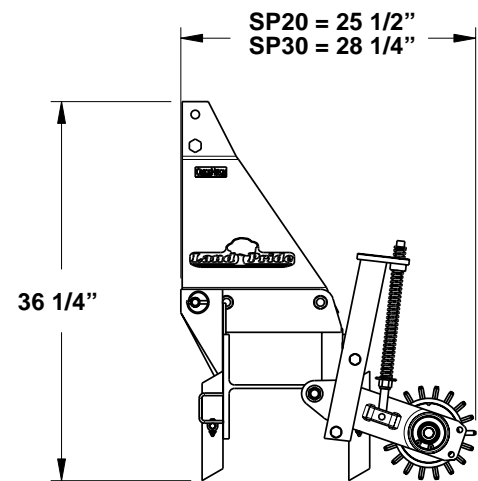
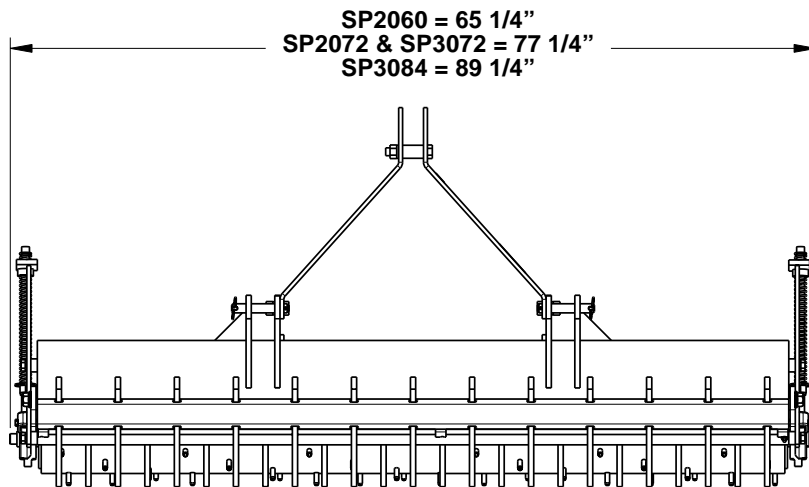


Soil Pulverizers

SP20 & SP30 Series

	SP2060	SP2072	SP3072	SP3084
Width	60"	72"	72"	84"
Weight (With Single Roller- lbs.)	491	561	671	721
Max Engine Hp.	35 Hp.	35 Hp.	50 Hp.	50 Hp
Number Of Shanks	21	25	25	29
Number Of Spikes - Single Roller	86	103	103	116
Number Of Spikes - Double Roller	N/A	N/A	206	232
Height	36 1/2"		36 1/2"	
Front To Back Length Single Roller	24"		27 1/4"	
Front To Back Length Double Roller	N/A		35 1/4"	
Shank Spacing	2 13/16"		2 13/16"	
Spiked Roller Tube Diameter	5 9/16" O.D		6 5/8" O.D. (Optional Second Roller 5 9/16")	
H-Beam	10"		12"	
A-Frame	3/8" Plate			
Springs-Front Roller	32 lbs./inch		32 lbs./inch	
Springs - Rear Roller	N/A	N/A	15 lbs./inch	
Spike Material	3/8" x 1 1/4" Steel, Replaceable Heat Treated Sleeves		3/8" x 1 1/4" Steel, Replaceable Heat Treated Sleeves	
Hitch	Cat. 1		Cat. 1	



Designs, specifications, features and information are subject to change without notice.