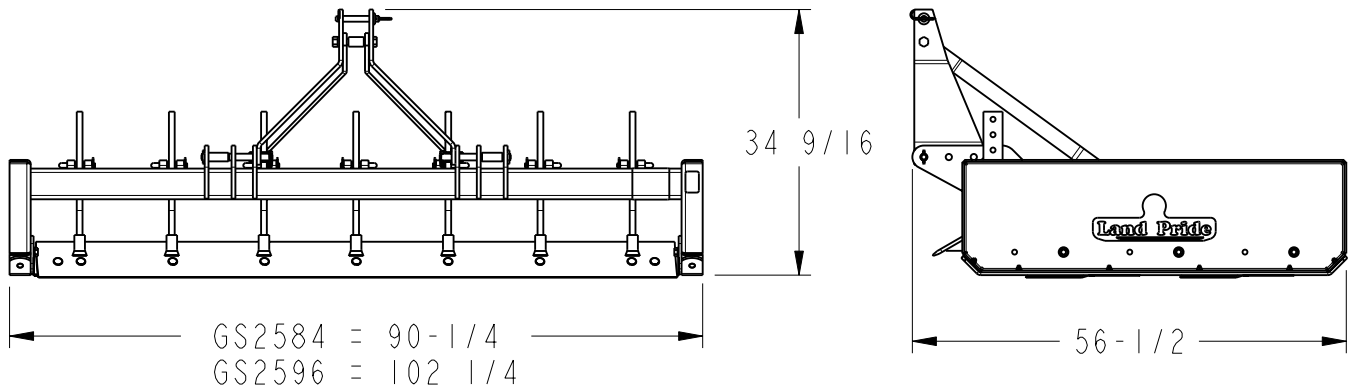


Grading Scrapers

GS25 Series

Description	GS2584	GS2596
Working Width	84"	96"
Overall Width	90 1/4"	102 1/4"
Number of Scarifier Shanks	7	8
Tractor HP Requirement	40-90 hp	40-90 hp
Unit Weight with Shanks	822 lbs.	890 lbs.
Overall Length	56 1/4"	
Overall Height	34 9/16"	
Side Panel Height	14 5/8"	
Side Panel Length	50"	
Side Panel Thickness Tractor	1/4" Thick with 2 3/4" formed edges.	
Front Main Beam & Scarifier Support.	4"x 4" x 5/16" Reinforced heavy wall tubing.	
Rear Beam Construction	3"x 3"x 3/16" Heavy wall tubing.	
Skid Shoe Dimensions	3/8" Thick x 2 3/4" wide x 50 1/4" long.	
Skid Shoe Material	Constructed of high carbon steel	
Scarifier Shank Construction - Optional	Heat treated 4-position shank with dimpled-on hardened tips.	
Cutting Edges	Two 1/2" x 6" high carbon heat treated blades that are reversible and replaceable.	
Cutting Edge Placement	Two parallel grading blades positioned at a 5 degree grading angle with 20" fore and aft spacing in between leading edges.	
Cutting Edge Adjustment	Infinite vertical adjustment from level grade to 1 1/2" below grade.	
Shank Adjustments	3 1/2" and 1 1/2" below grade level. 1/2" and 2 1/2" above grade level.	
Lower Draft Link Attachment	Clevis type	
Hitch Type	Category I and Category II 3-Point Hitch Category I & II Quick Hitch Compatible	
Color Selections	Land Pride beige or orange	



26667

Designs, specifications, features and information are subject to change without notice.