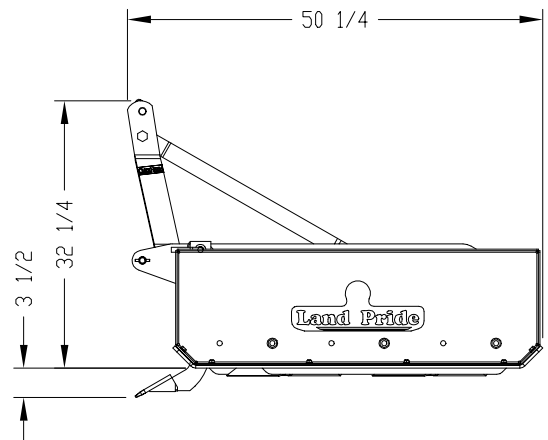
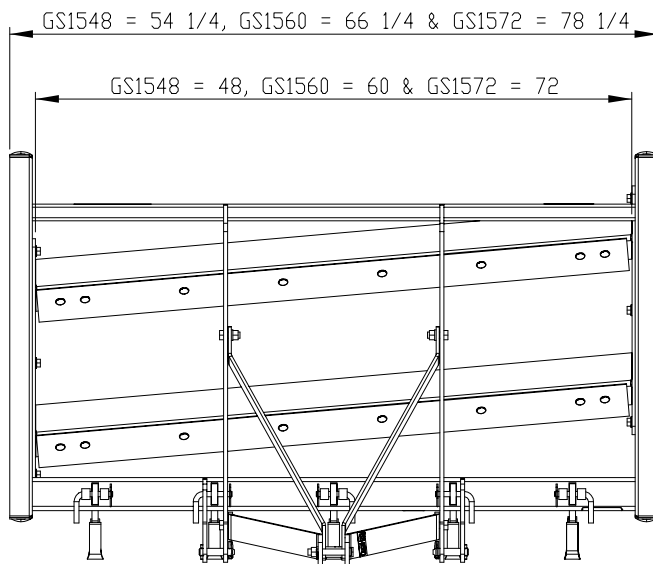


Grading Scrapers

GS15 Series

Description	GS1548	GS1560	GS1572
Working Width	48"	60"	72"
Overall Width	54 1/4"	66 1/4"	78 1/4"
Number of Scarifier Shanks	4	4	5
Tractor HP Requirement	20-50 hp	25-50 hp	25-50 hp
Unit Weight with Shanks	437 lbs.	511 lbs.	594 lbs.
Overall Length	50"		
Overall Height	32"		
Side Panel Height	14"		
Side Panel Length	44"		
Side Panel Thickness Tractor	3/16" Thick with 2 3/4" formed edges.		
Front Main Beam & Scarifier Support.	4"x 4" x 5/16" Reinforced heavy wall tubing.		
Rear Beam Construction	2"x 2"x 3/16" Heavy wall tubing.		
Skid Shoe Dimensions	3/8" Thick x 2 3/4" wide x 44" long.		
Scarifier Shank Construction - Optional	Heat treated 4-position shank with dimpled-on hardened tips.		
Cutting Edges	Two 1/2" x 6" high carbon heat treated blades that are reversible and replaceable.		
Cutting Edge Placement	Two parallel grading blades positioned at a 5 degree grading angle with 17 1/2" fore and aft spacing in between leading edges.		
Cutting Edge Adjustment	Infinite vertical adjustment from level grade to 1 1/2" below grade.		
Shank Adjustments	3 1/2" and 1 1/2" below grade level. 1/2" and 2 1/2" above grade level.		
Lower Draft Link Attachment	Clevis type		
Hitch Type	Category 1 and Category 1 Quick Hitch		
Color Selections	Land Pride beige or orange		



26758

Designs, specifications, features and information are subject to change without notice.