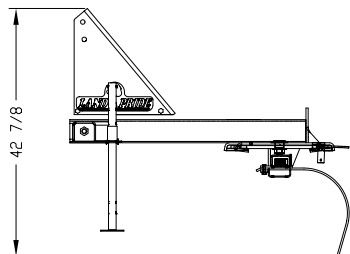
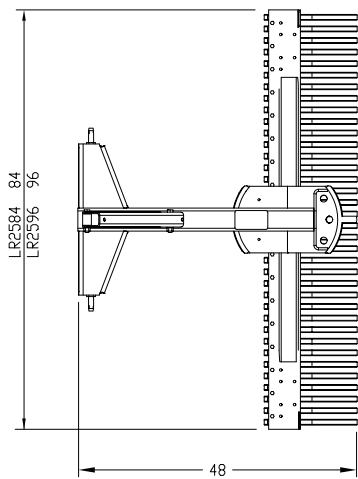


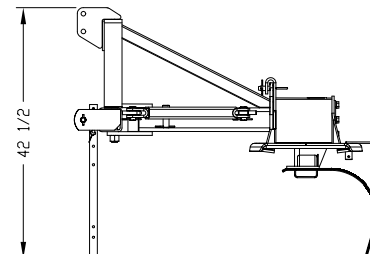
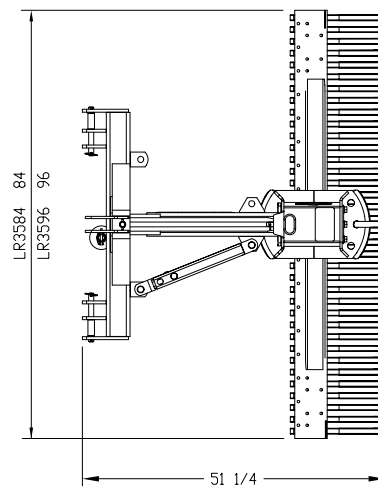
Landscape Rakes

LR25 & LR35 Series				
	LR2584	LR2596	LR3584	LR3596
Rake Width	84"	96"	84"	96"
Approximate Weight (lbs.)	352	377	460	483
Horsepower Rating	25 - 50		30-65	
Rake Height	16 1/2"		16 1/2"	
Hitch Type	Cat. I Fits Land Pride Quick Hitch		Cat. I & II Fits Land Pride Quick Hitch	
Parking Stand	Standard			
Individual Replaceable Teeth	Standard			
Number of Teeth	42	48	42	48
Teeth Size	5/16" x 1" Wide			
Teeth Spacing	2" Centers			
Teeth Material	High Carbon Spring Steel			
Angle/Position	7 Forward / 5 Reverse 45° right or left		9 Forward / 5 Reverse 60° right or left	
Tilt	N/A		5 positions to 30 degrees	
Gauge Wheel Options	Single Gauge Wheel 8" x 4" x 4.8" Dual Narrow Width Wheels 13" x 4" x 6" Dual Wide Width Wheels 13" x 6 1/2" x 6"			
Flip Down Grader Blade Option	Flip Down Self Supporting Grader Blade with Blade-up Locking Handles and locking pins.			
Hydraulic Angle Option	Up to 45 degrees right or left		N/A	
Manual/Hydraulic Offset Option	N/A		Up to 45 degrees right or left	
Rear Blade Attachment Accessory	Available	Available	Available	Available



LR25 Series Landscape Rakes

26770



LR35 Series Landscape Rakes

26772

Designs, specifications, features and information are subject to change without notice.