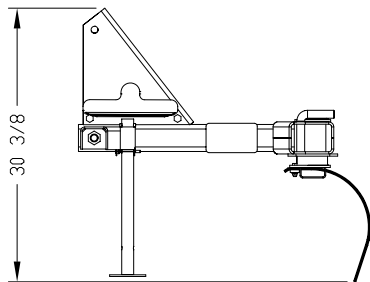
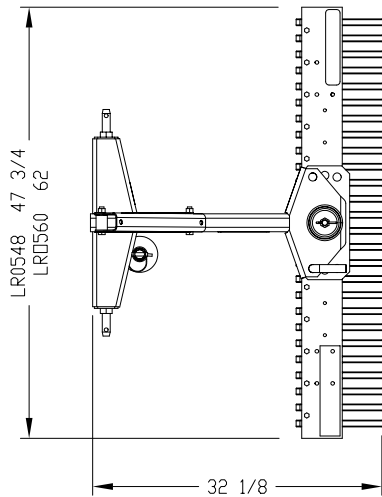


Landscape Rakes

LR05 and LR15 Series

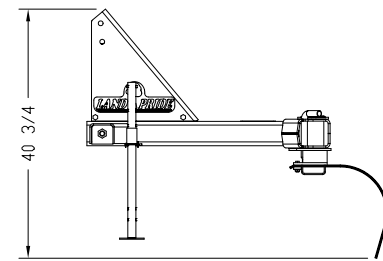
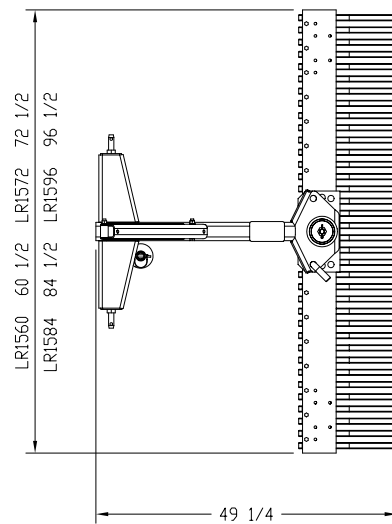
	LR0548	LR0560	LR1560	LR1572	LR1584	LR1596
Rake Width	48"	60"	60"	72"	84"	96"
Approximate Weight 6(lbs.)	98	113	241	270	291	316
Horsepower Rating	15-20		20-35			
Rake Height	12"		16 1/2"			
Hitch Type	Cat. 0 With Cat. 1 pins		Cat. 1 Fits Land Pride Quick Hitch			
Parking Stand	Standard					
Individual Replaceable Teeth	Standard					
Number of Teeth	26	34	30	36	42	48
Teeth Size	1/4" x 3/4" wide		5/16" x 1" wide			
Teeth Spacing	1 3/4" Centers		2" Centers			
Teeth Material	High Carbon Spring Steel					
Angle and Position	5 Forward / 5 Reverse 30 degrees Right or left		5 Forward 30 Degrees Right or Left 7 Reverse 45 Degrees Right or Left			
Gauge Wheel Option*	Dual Solid Wheels 8 1/4" x 2 3/4"		Dual Narrow Width Wheels 13" x 4" x 6" Dual Wide Width Wheels 13" x 6 1/2" x 6"			
Flip Down Grader Blade Option	Not Available		Flip Down Self Supporting Grader Blade with Blade-up Locking Handles and locking pins			
Rear Blade Attachment Accessory	Not Available		Available	Available	Available	Not Available

* Dual gauge wheels are capable of supporting the optional grader blades.



26767

LR05 Series Landscape Rakes



27554

LR15 Series Landscape Rakes

Designs, specifications, features and information are subject to change without notice.