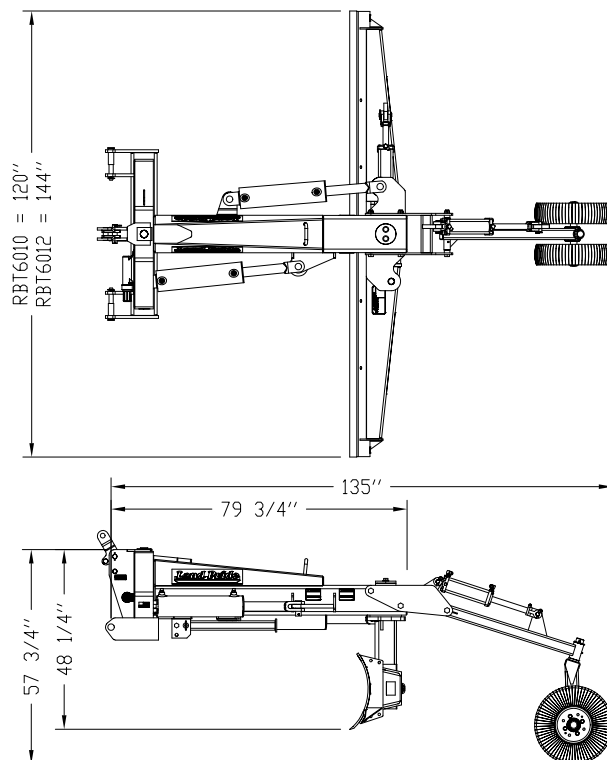


**Blades, Rear**

RBT60 Series		
	RBT6010	RBT6012
Blade Width	10 ft.	12 ft.
Weight	Without Gauge Wheel 2260 lbs. With Gauge Wheel 2460 lbs.	2400 lbs. 2600 lbs.
Max. Tractor Hp	2-Wheel drive: 225 HP 4-Wheel Drive: 200 HP	175 HP 160 HP
Maximum G.V.W. (lbs.)	15,000	
Hitch Type	Cat. II & III (Fits Land Pride's Cat. II Quick Hitch)	
Blade Angle, Hydraulic Operated	Up to 45 degrees clockwise and counterclockwise With blade facing forward or reversed	
Angle Cylinder	5" X 18" stroke with 2 1/2" dia. rod	
Blade Offset, Hydraulic Operated	Up to 55" left and right Should not offset when backing-up	
Offset Cylinder	5" X 18" stroke with 2 1/2" dia. rod	
Blade Tilt, Hydraulic Operated	Maximum 15° up and 15° down with blade facing forward or reversed	
Tilt Cylinder	3 1/2" X 8" stroke with 1 1/2" dia. rod	
Moldboard King Pin Diameter	4 1/2" Diameter solid steel bar	
Moldboard Height	19"	
Moldboard Thickness and Reinforcement	1/2" thick moldboard and heavy reinforced backing channel.	
Cutting Edge	1/2" x 6" grader blade Heat treated	
Mainframe Construction	Fully enclosed welded, formed box	
Parking Stand	Retractable	
Accessories	Skid Shoes, End Plates, Hydraulic Dual Gauge Wheel.	



Designs, specifications, features and information are subject to change without notice.

27875