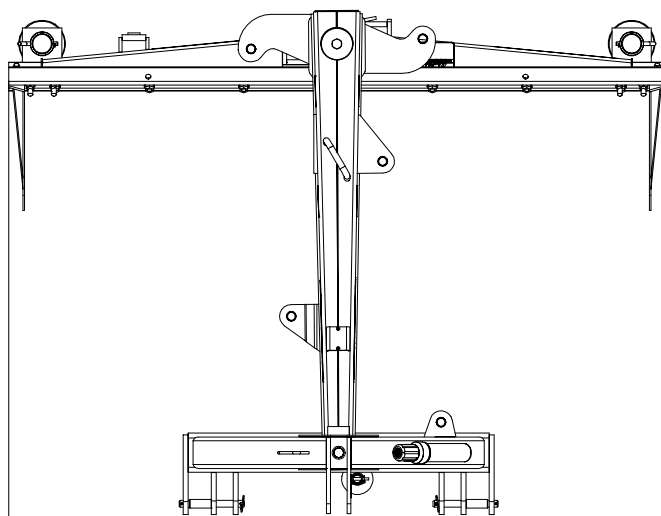


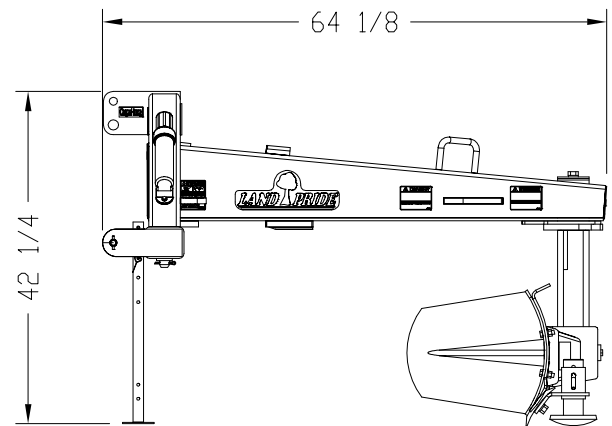
Specifications & Capacities

Blades, Rear

RBT40 Series			
	RBT4084	RBT4096	RBT40108
Blade Width	84"	96"	108"
Approximate Weight (lbs.) w/manual links	689 lbs.	739 lbs.	789 lbs.
Maximum Engine Horsepower	100 HP - 2 Wheel drive		
Maximum G.V.W. (lbs.)	9500 lbs.		
Hitch Type	Cat. 1 & 2 Fits Land Pride Quick Hitch		
Blade Angle Manual Linkage: Hydraulic Cylinder:	With blade facing forward or reversed Up to 45° in 15° increments clockwise and counterclockwise in either direction Up to 45° clockwise and counterclockwise in either direction		
Angle Cylinder	3 1/2" X 16" X 1 1/4"		
Blade OffsetManual Linkage Hydraulic Cylinder	Up to 30 inches left and right in 15 positions (Center, 7 left and 7 right) Up to 30 inches left and right		
Offset Cylinder	3 1/2" X 16" X 1 1/4"		
Tilt AngleManual Ratchet Jack Hydraulic Cylinder	Maximum 15° up and 15° down with blade facing forward or reversed Maximum 15° up and 15° down with blade facing forward or reversed		
Tilt Cylinder	3" X 6" X 1 1/4"		
Moldboard Height	17"		
Moldboard Thickness	5/16" reinforced, 1/4" tapered reinforcement channel		
MoldBoard Kingpin	3"		
Cutting Edge	1/2" x 6" Heat treated reversible blade		
Main Frame	Fully enclosed welded, formed box		
Parking Stand	Retractable		
Accessories	Skid Shoes, End Plates, Hydraulic Selector Valve and Hydraulic Cushion Valve		



← RBT4084 = 83 1/2 RBT4096 = 95 1/2 →
RBT40108 = 107 1/2



26810

Top View

Side View

Designs, specifications, features and information are subject to change without notice.