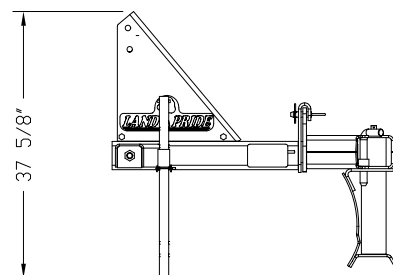
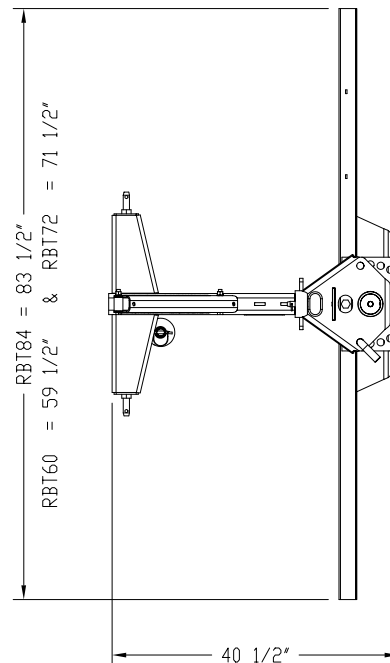


Specifications & Capacities

Blades, Rear

RBT15 Series			
	RBT1560	RBT1572	RBT1584
Blade Width	60"	72"	84"
Approximate Weight (lbs.)	283 lbs.	297 lbs.	319 lbs.
Horsepower Rating	17-40 Hp		
Hitch Type	Cat. 1		
Blade Angle	5 Forward positions up to 30 degrees clockwise and counterclockwise 7 Reverse positions up to 45 degrees clockwise and counterclockwise		
Blade Offset	12" left or right		
Blade Tilt	5 Positions; Maximum 30° up and 30° down in 15° increments		
Moldboard Height	14"		
Moldboard Thickness	1/4"		
Cutting Edge	1/2" x 6" Heat treated, Replaceable & Reversible (Double bevel)		
Parking Stand	Retractable		
Accessories	Skid Shoes, End Plates & Landscape Rake Adaptable		



27513

Designs, specifications, features and information are subject to change without notice.