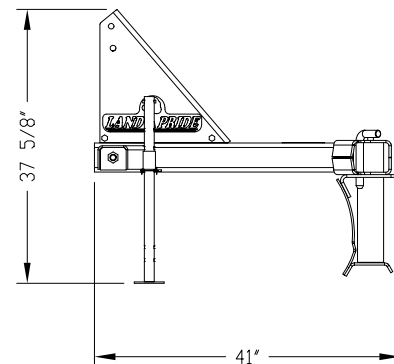
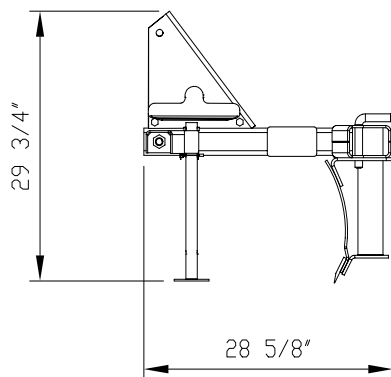
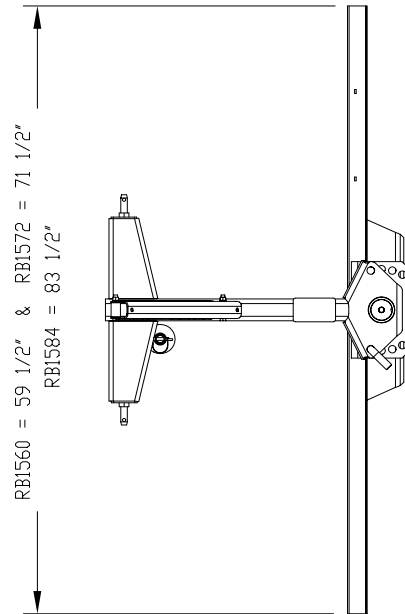
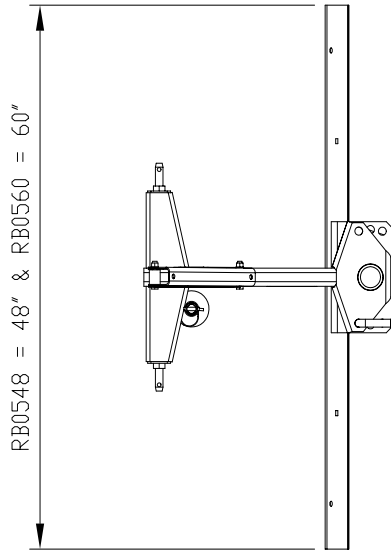


Blades, Rear

RB05 & RB15 Series					
	RB0548	RB0560	RB1560	RB1572	RB1584
Blade Width	48"	60"	60"	72"	84"
Approximate Weight (lbs.)	128	143	248	269	289
Horsepower Rating	17-25			17-40	
Hitch Type	Cat. 0 With Cat. 1 pins			Cat. 1	
Angle/Position	5 Forward Up to 30 degrees right or left 5 Reverse Up to 30 degrees right or left			5 Forward Up to 30 degrees right or left 7 Reverse Up to 45 degrees right or left	
Blade Height	13 1/2"			14"	
Blade Thickness	1/4"			1/4"	
Cutting Edge	3/8" x 3" Flat Single bevel			1/2" x 6" Reversible Double bevel	
Offset	10"			12"	



RB05 Series

26805

RB15 Series

27514

Designs, specifications, features and information are subject to change without notice.