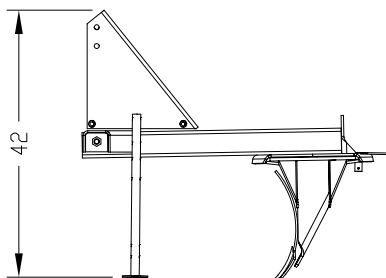
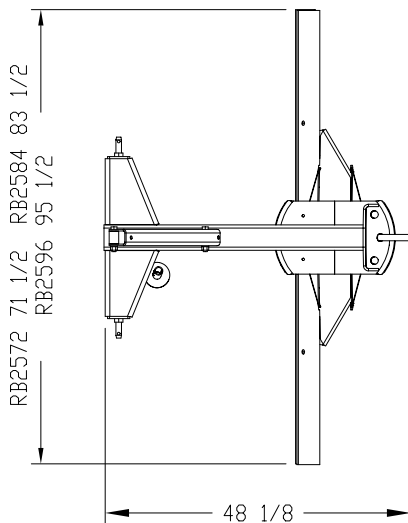


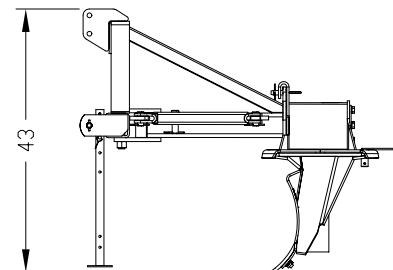
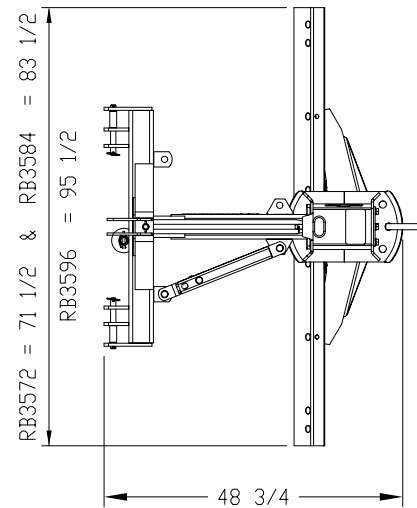
Blades, Rear

RB25 & RB35 Series						
	RB2572	RB2584	RB2596	RB3572	RB3584	RB3596
Blade Width	72"	84"	96"	72"	84"	96"
Approximate Weight (lbs.)	369	396	425	484	533	566
Horsepower Rating	25-60			35-80		
Hitch Type	Cat. 1 Fits Land Pride Quick Hitch			Cat. 1 & 2 Fits Land Pride Quick Hitch		
Parking Stand	Retractable					
Angle/Position	9 Forward up to 60 degrees right or left 5 Reverse up to 60 degrees right or left					
Blade Height	17 1/2"					
Blade Thickness	5/16"					
Cutting Edge	1/2" x 6" Heat treated Replaceable & Reversible (Double bevel)					
Offset	No			40 degrees swing, 12" right & 12" left		
Tilt	Limited to tractor's lower 3-point arm adjustment			5 Positions up to 30 degrees right or left		
Options	Single Gauge Wheel, Skid Shoes End Plates Hydraulic Cylinder (Accessory for Single Gauge Wheel & RB35 Frame Offset) Landscape Rake Adaptable					



RB25 Series

27553



RB35 Series

26807

Designs, specifications, features and information are subject to change without notice.