

Back Screen & Head Rest Assembly Instructions



For 4220ST and 4420ST Trekers

Manual No. 701-168M

Before You Start



When you see this symbol, the subsequent instructions and warnings are serious - follow without exception. Your life and the lives of others depend on it!

IMPORTANT: Before you begin, read these instructions and check to be sure all parts and tools are accounted for. Please retain these installation instructions for future reference and parts ordering information.

Your Back Screen & Head Rest is exclusively designed for the Heavy Duty 4-Post Accessory Bar. Please read these installation instructions and your Treker Operator's Manual thoroughly before beginning. Especially read information relating to safety concerns. Also included in the Operator's Manual is important information on operation, adjustment, troubleshooting, and maintenance for this attachment (some manual sections do not apply to all accessories).

A separate Parts Manual for replacement parts can be purchased from your dealer or available free of charge at www.landpride.com. Have model and serial numbers handy when placing an order.

Manual Part Numbers:

- Operator's Manual (4220/4420 ST) 700-504M
- Parts Manual (4220/4420 ST) 700-504P

Further Assistance

Your dealer wants you to be satisfied with your new Treker. If for any reason you do not understand any part of this manual or are not satisfied with the service received, the following actions are suggested:

1. Discuss the matter with your dealership service manager making sure he is aware of any problems you may have and that he has had the opportunity to assist you.
2. If you are still not satisfied, seek out the owner or general manager of the dealership, explain the problem and request assistance.
3. For further assistance write to:

Land Pride Service Department
1525 East North Street
P.O. Box 5060
Salina, Ks. 67402-5060

E-mail address
lp servicedept@landpride.com

General Information

These assembly instructions apply to the following Back Screen and Head Rest accessories listed below:

- 701-167A BACKSCREEN, TREKER
- 701-165A HEADREST KIT, FOR BACKSCREEN

Tools required:

- Safety Glasses
- Work Gloves
- Two 7/16" box end or open end wrenches
- Two 1/2" box end or open end wrenches

Assembly Instructions

A detailed listing of parts for each accessory kit is provided on page 2. Use the list that is for your kit as a checklist to inventory parts received. Please contact your local Land Pride dealer for any missing hardware.

Initial Preparations

Before servicing the vehicle the following procedure must be met to secure the vehicle:

1. Park vehicle on a level surface. **Don't work under or around a vehicle parked on an incline.**
2. Set shift selector in Park.
3. Turn ignition switch off and remove switch key.
4. Chock front and back of a wheel to prevent the vehicle from rolling.

Assembly Instructions

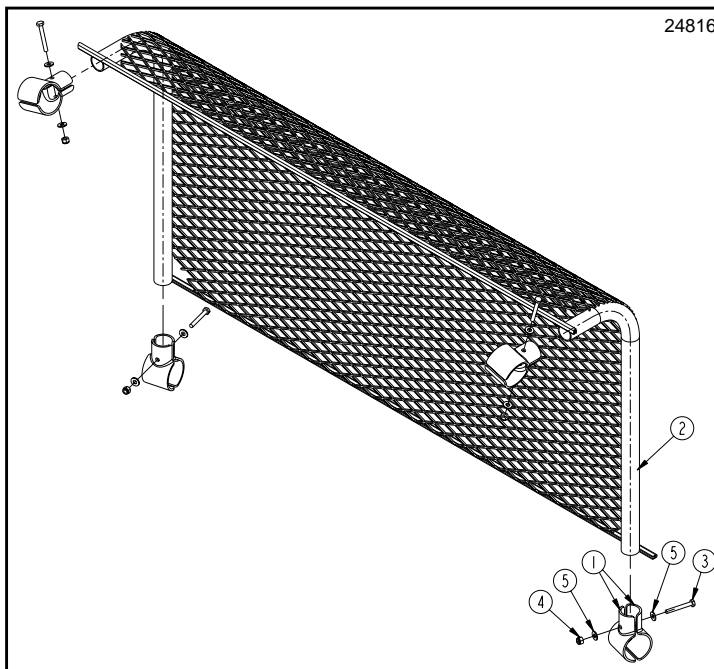
Kit No. 701-167A

BACKSCREEN, TREKER

Back Screen Assembly

Refer to Figure 1:

1. Install bottom joint halves (#1) to the 4-Post Accessory Bar lower back cross member with 1/4"-20 x 2" GR5 hex head cap screw (#), 2- flat washers (#5) and nylock hex nut (#4). Do not tighten nylock nuts.
2. Install top joint halves (#1) to the 4-Post Accessory Bar upper back cross member with 1/4"-20 x 2" GR5 hex head cap screws (#3), flat washers (#5) and nylock hex nuts (#4). Do not tighten nylock nuts.
3. Insert back screen (#2) into the bottom joint halves and then into the top joint halves.
4. Adjust joint halves to center back screen on the 4-Post Accessory Bar.
5. Tighten nylock nuts to 8 ft-lbs.



**Back Screen Assembly
Figure 1**

Item	Qty.	Part No.	Part Description
1	8	700-500D	JOINT PLATE
2	1	700-514H	WELDMENT, BACKSCREEN
3	4	802-152C	HHCS 1/4-20X2 GR5
4	4	803-255C	NUT HEX NYLOCK 1/4-20
5	8	804-007C	WASHER FLAT 1/4 SAE PLT
	8	990-246R	EDGE TRIM 1/8X7/16 - 75 SERIES
	1	701-168M	MANUAL, ST TRUCK BACKSCREEN

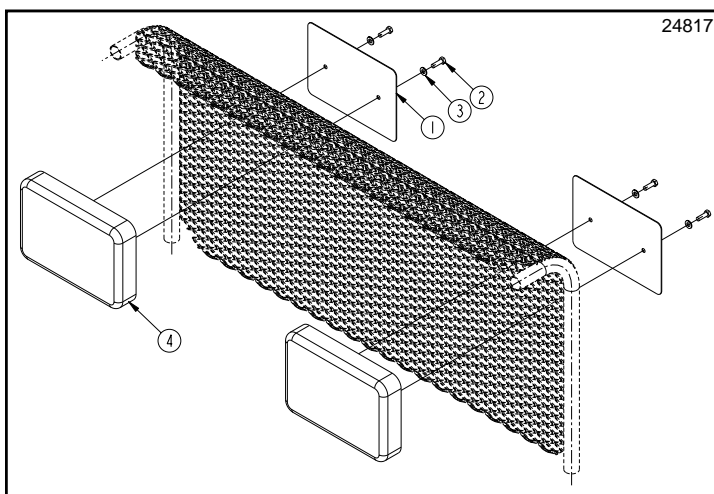
Kit No. 701-165A

HEADREST KIT, FOR BACKSCREEN

Head Rest Assembly

Refer to Figure 2:

1. Locate a desirable height and horizontal position that will protect the driver and passenger heads.
2. Attach headrests (#4) to the back screen with backing plates (#1), 5/16"-18 x 1" GR5 hex head cap screws (#2) and flat washers (#3) as shown.
3. Tighten cap screws to 11 ft-lbs.



**Headrest Assembly
Figure 2**

Item	Qty.	Part No.	Part Description
1	2	700-523D	PLATE, HEAD REST BACKING
2	4	802-738C	HHCS 5/16-18X1 GR5 YELLOW DIE
3	4	804-036C	WASHER FLAT 5/16 SAE PLT
4	2	840-179C	HEADREST W/HARDWARE (Includes items 2 & 3)
	1	701-168M	MANUAL, ST TRUCK BACKSCREEN