



## **NT TRUCK – WINCH MOUNT**

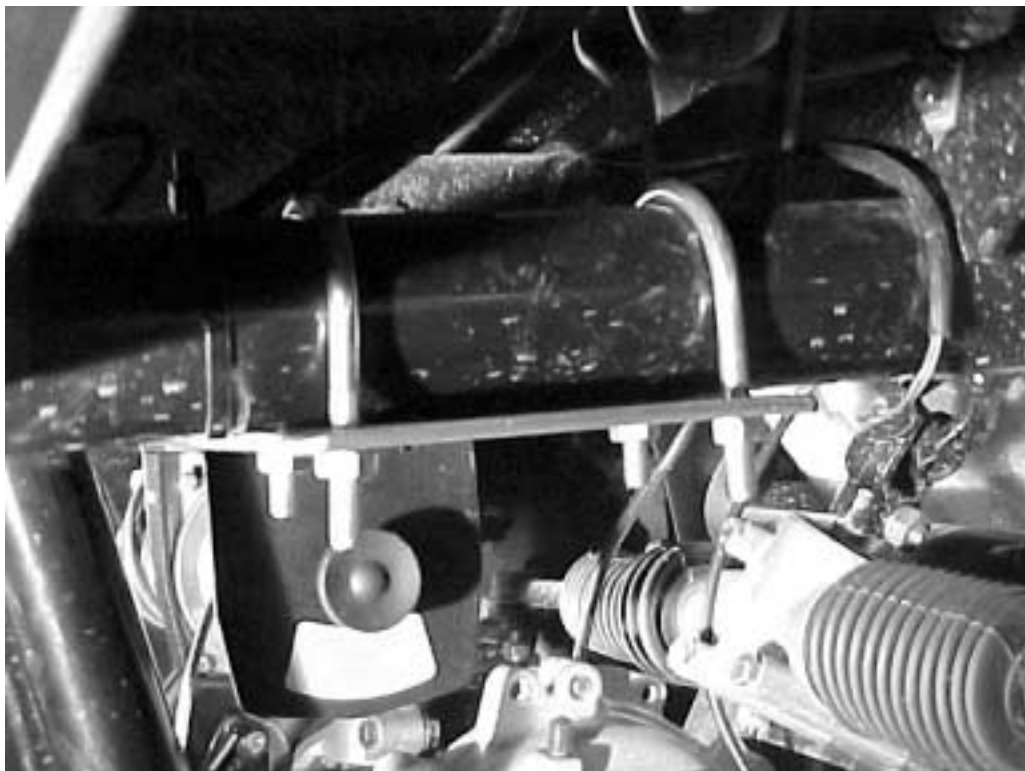


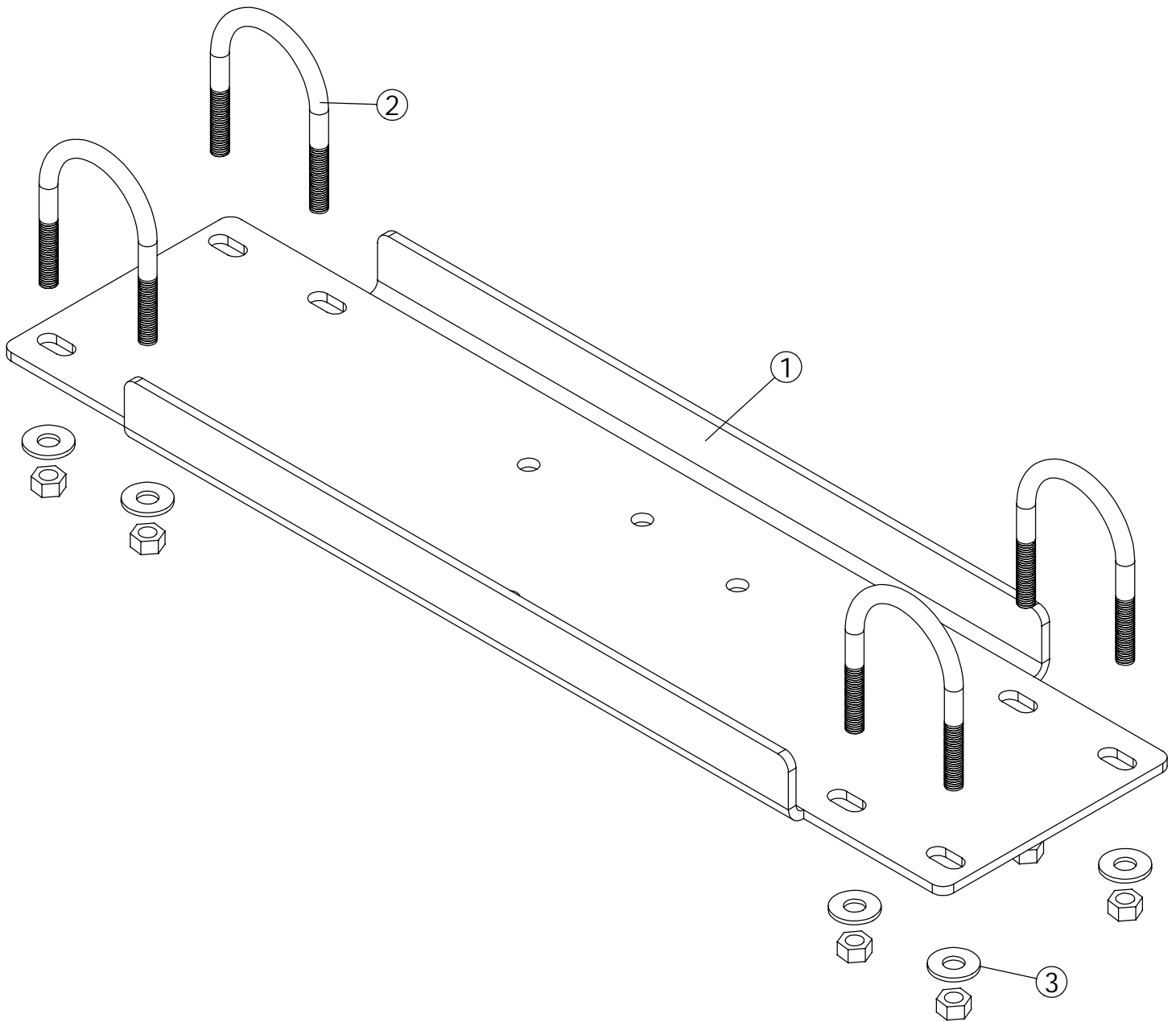
Installation Instructions

**823-225C**  
**PART NUMBER**



1. Attach Winch to (#1) Winch Mount Plate. Fully tighten.
2. Attach the Winch Mount Plate to the NT Frame using the four (#2) 5/16" x 2" x 3" U-Bolts, 5/16" Flat Washers and the 5/16" Nylock Nuts. Tighten Securely.





## 823-225C

ITEM NO.	PART NO.	QTY.	DESCRIPTION
1	10502	1	Winch Mount Plate
2	UB516-23	4	5/16" x 2" x 3" U-Bolt
3	FW516	8	5/16" Flat Washer
	LN516NY	8	5/16" Nylock Nut