

# NT Front Rack Assembly Instructions



Treker NT Series

Manual No. 701-141M

## Before You Start



When you see this symbol, the subsequent instructions and warnings are serious - follow without exception. Your life and the lives of others depend on it!

**IMPORTANT:** Before you begin, read these instructions and check to be sure all parts and tools are accounted for. Please retain these installation instructions for future reference and parts ordering information.

Your NT Front Rack is exclusively designed for your Land Pride NT Treker. Please read these installation instructions and your NT Treker Operator's Manual thoroughly before beginning. Especially read information relating to safety concerns. Also included in the Operator's Manual is important information on operation, adjustment, troubleshooting, and maintenance for this attachment (some manual sections do not apply to all accessories).

## General Information

These assembly instructions apply to the following NT Front Rack Accessories listed below:

**701-052A NT Front Rack**

## Further Assistance

Your dealer wants you to be satisfied with your new NT Front Rack. If for any reason you do not understand any part of this manual or are not satisfied with the service received, the following actions are suggested:

1. Discuss the matter with your dealership service manager making sure he is aware of any problems you may have and that he has had the opportunity to assist you.
2. If you are still not satisfied, seek out the owner or general manager of the dealership, explain the problem and request assistance.
3. For further assistance write to:

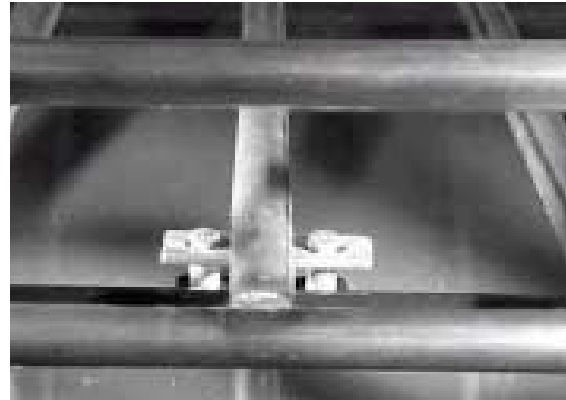
**Land Pride Service Department**  
**1525 East North Street**  
P.O. Box 5060  
Salina, Ks. 67402-5060

E-mail address  
lpservicedept@landpride.com

## Assembly Instructions

A detailed listing of parts for this accessory kit is provided on page 2. Use the list as a checklist to inventory parts received. Please contact your local Land Pride dealer for any missing hardware.

**ALL DIRECTIONS REFERRING TO THE RIGHT AND LEFT ARE WHEN THE OPERATOR IS IN THE MACHINE.**



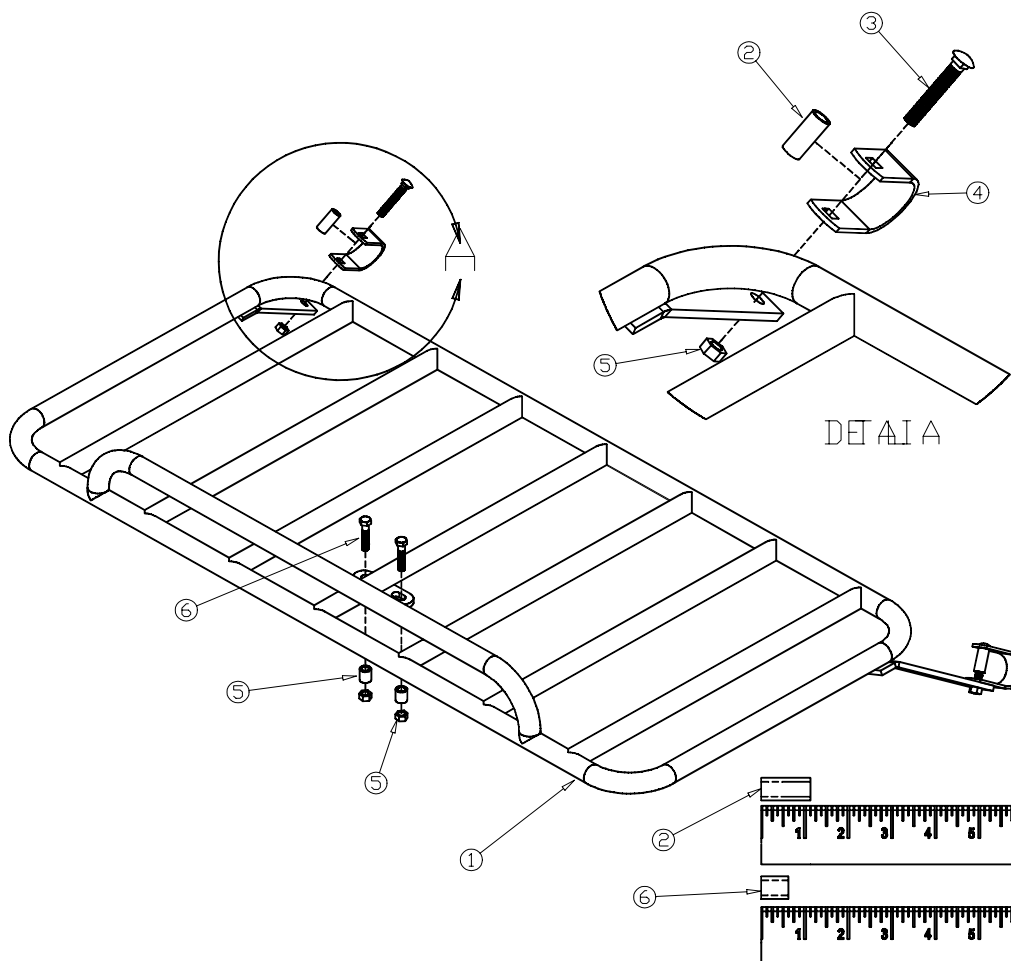
1. Align the NT Front Rack (#1) up to the two top tabs on the NT Brush Guard. 038A). Secure the NT Front Rack (#1) using two 5/16" x 1-1/2" Bolts (#6) and two 5/8" U-Clamp Spacers (#5). See pictures above. Do not fully tighten attaching hardware at this time.
2. Attach the two back tabs on the NT Front Rack (#1) to the NT roll cage with two 1-1/2" U-Clamps (#4), Spacers (#2), and two 5/16" x 2" Carriage Bolts (#3). See pictures above. Do not fully tighten attaching hardware at this time.
3. Make adjustments at this time. Insure that the NT Front Rack is level and centered on the machine. Fully tighten attaching hardware at this time.

**Fully tighten attaching hardware at this time.**

**Listing of Parts**

**Kit No. 701-052A NT Front Rack**

Item	Part No.	Part Description	Qty
1	701-052A	FRONT RACK NT	
2	10458	SPACER	
3	802-199C	RHSNB 5/16-18X2 GR5	
4	UC112	U-CLAMP 1 1/2"	
5	803-084C	NUT HEX NYLOCK 5/16-18 PLT	
6	UCS58BLK	5/8" U-CLAMP SPACER BLACK	
7	802-012c	HHCS 5/16-18X1 1/2 GR5	



Corporate Office: P.O. Box 5060  
 Salina, Kansas 67402-5060 USA  
 www.landpride.com