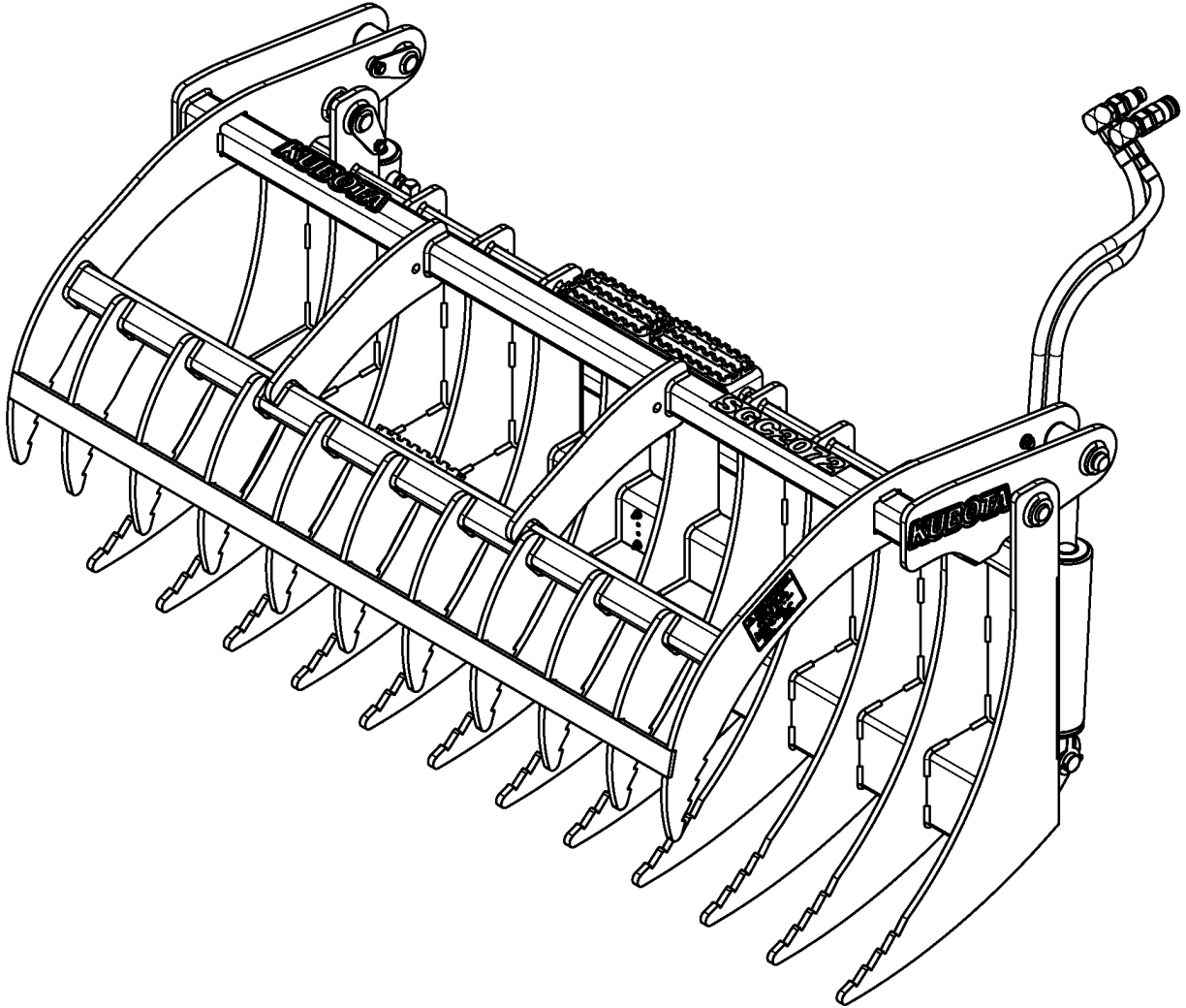


Claw Grapples

AP-SGC2072 & AP-SGC2084



37677

380-052PK
Parts Manual

Kubota®



Read the Operator's Manual entirely. When you see this symbol, the subsequent instructions and warnings are serious - follow without exception. Your life and the lives of others depend on it!

© Copyright 2015 Printed 10/27/16

Cover photo may show optional equipment not supplied with standard unit.



Table of Contents

Section 1: Introduction.....	4
Using This Manual.....	4
Manual Replacement Information.....	4
Manual Revisions.....	4
Touch-up Paint.....	4
Hardware Legend.....	5
Replacement Hardware.....	5
Serial Numbers.....	5
Part Number Service Coding.....	5
Section 2: Main Assembly.....	6
Grapple & Claw Frame.....	6
Hydraulic Components.....	8
Hydraulic Cylinder (810-783C).....	10
Section 3: Labels.....	12
Label Placement.....	12
Section 4: Options & Accessories.....	14
SGC Hose Bundle Kubota SVL.....	14
Part Number Index.....	16

© Copyright 2015. All rights reserved.

Kubota provides this publication “as is” without warranty of any kind, either expressed or implied. While every precaution has been taken in the preparation of this manual, Kubota assumes no responsibility for errors or omissions. Neither is any liability assumed for damages resulting from the use of the information contained herein. Kubota reserves the right to revise and improve its products as it sees fit. This publication describes the state of this product at the time of its publication, and may not reflect the product in the future. The illustrations in this manual are not intended for safe and proper assembly or disassembly of equipment. The illustrations are intended for ordering parts only.

Kubota is registered trademark.

All other brands and product names are trademarks or registered trademarks of their respective holders.

Printed in the United States of America.



Alphabetized Table of Contents

G
Grapple & Claw Frame.....6

H
Hydraulic Components.....8
Hydraulic Cylinder (810-783C).....10

L
Label Placement.....12

S
SGC Hose Bundle Kubota SVL.....14

General Information

Using This Manual

This manual is divided into sections. The first section contains General Information. The remaining sections divide the machine into segments (i.e. Frames, Drives, Hydraulics, etc.) which illustrate and list all parts. A Parts Number Index is located at the back of the book.

The Kubota parts in this manual are specially designed for this machine and should be replaced with Kubota parts only.

The information in this manual is current at time of printing. Some parts may change to assure top performance.

Right-hand and left-hand as used in this manual are determined by facing the direction the machine will travel while in use.

Below is an example of two facing pages from a parts manual. Familiarize yourself with the type of information contained on these pages.

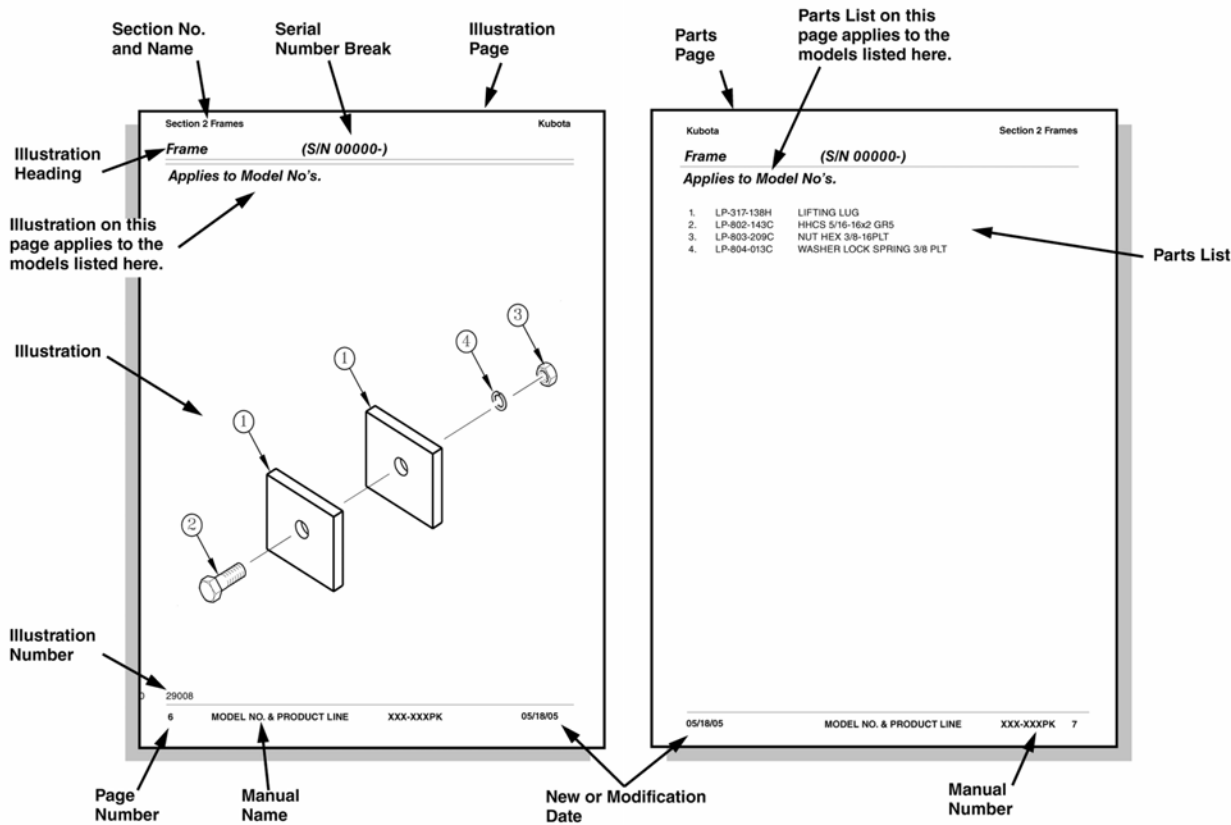
Manual Replacement Information

Replacement manuals are available. Refer to our website at www.kubota.com for additional information. Our website continues to provide the most up-to-date manuals available.

Touch-up Paint

Repaint parts where paint is worn or scratched to prevent rust. Kubota touch-up paints are available through your local Kubota dealer. Part numbers and color descriptions are listed below.

Part No.	Part Description
821-070C	GP Gloss black enamel spray can
821-070CTU	GP Gloss black enamel bottle with brush
821-070CQT	GP Gloss black enamel quart
821-070CGL	GP Gloss black enamel gallon



General Information

Hardware Legend

AR	As Required
BLADE	Blade Bolt
C	Cap Screw
CP	Cotter Pin
CPHSSS	Cup Point Hex Socket Set Screw
CPSHSS	Cup Point Square Head Set Screw
CPSQHSS	Cup Point Square Head Set Screw
CRFCHMS3	Cross Recess Flat Countersunk Head Machine Screw
CRPHMS	Cross Recess Pan Head Machine Screw
CRPHTFS	Cross Recess Pan Head Thread Forming
CRRHMS	Cross Recess Round Head Machine Screw
CRTHMS	Cross Recess Truss Head Machine Screw
CSNB	Countersunk Square Neck Bolt
FHMS	Flat Head Machine Screw
FTC	Full Thread Cap Screw
H	Hex Nut
HCLN	Hex Center Lock Nut
HFLCS	Hex Flange Lock Cap Screw
HFS	Hex Flange Screw
HFSLN	Hex Flange Serrated Lock Nut
HFSS	Hex Flange Serrated Screw
HHCS	Hex Head Cap Screw or Metric Bolt
HSBHCS	Hex Socket Button Head Cap Screw
HSFCHCS	Hex Socket Flat Countersunk Head Cap Screw
HSHCS	Hex Socket Head Cap Screw
HSSS	Hex Socket Head Screw
HTLN	Hex Top Lock Nut
HWHCS	Hex Washer Head Cap Screw

HWHMS	Hex Washer Head Machine Screw
HXBHCS	Hex Socket Button Head Cap Screw
J	Hex Jam Nut
JIC	37 Degree Tapered Thread
L	Helical Spring Lock Washer
LUG	Lug Bolt
NFC	National Fine Cap Screw
NPSM	National Pipe Straight Mechanical
NPTF	National Pipe Taper Fuel
P	Wide Plain Washer
PHMS	Pan Head Machine Screw
PLOW	Plow Bolt
RHMS	Round Head Machine Screw
RHSNB	Round Head Square Neck Bolt
SCREW LEVELING	Leveling Screw
SCREW THUMB	Thumb Screw
SCREW WELD	Weld Screw
SFCHMS	Slotted Flat Countersunk Head Machine Screw
SFHMS	Slotted Fillister Head Machine Screw
SP	Special
SP SCREW	Special Screw
SQHSS	Square Head Set Screw
SRHMS	Slotted Round Head Machine Screw
SSS	Socket Set Screw
STCS	Self Tapping Cap Screw
STHMS	Slotted Truss Head Machine Screw
WHEEL	Wheel Studs and Hub Long Bolts
WING	Wing Bolt

Replacement Hardware

The **Hardware Legend** above lists hardware abbreviations used in the parts list. All bolts and nuts are Grade 5 unless otherwise noted. The use of improper grades of hardware can result in personal injury, damage to equipment, or loss of property.

Part Number Service Coding

Within the parts list some part numbers are coded for revisions and interchangeability. See notations in revision column.

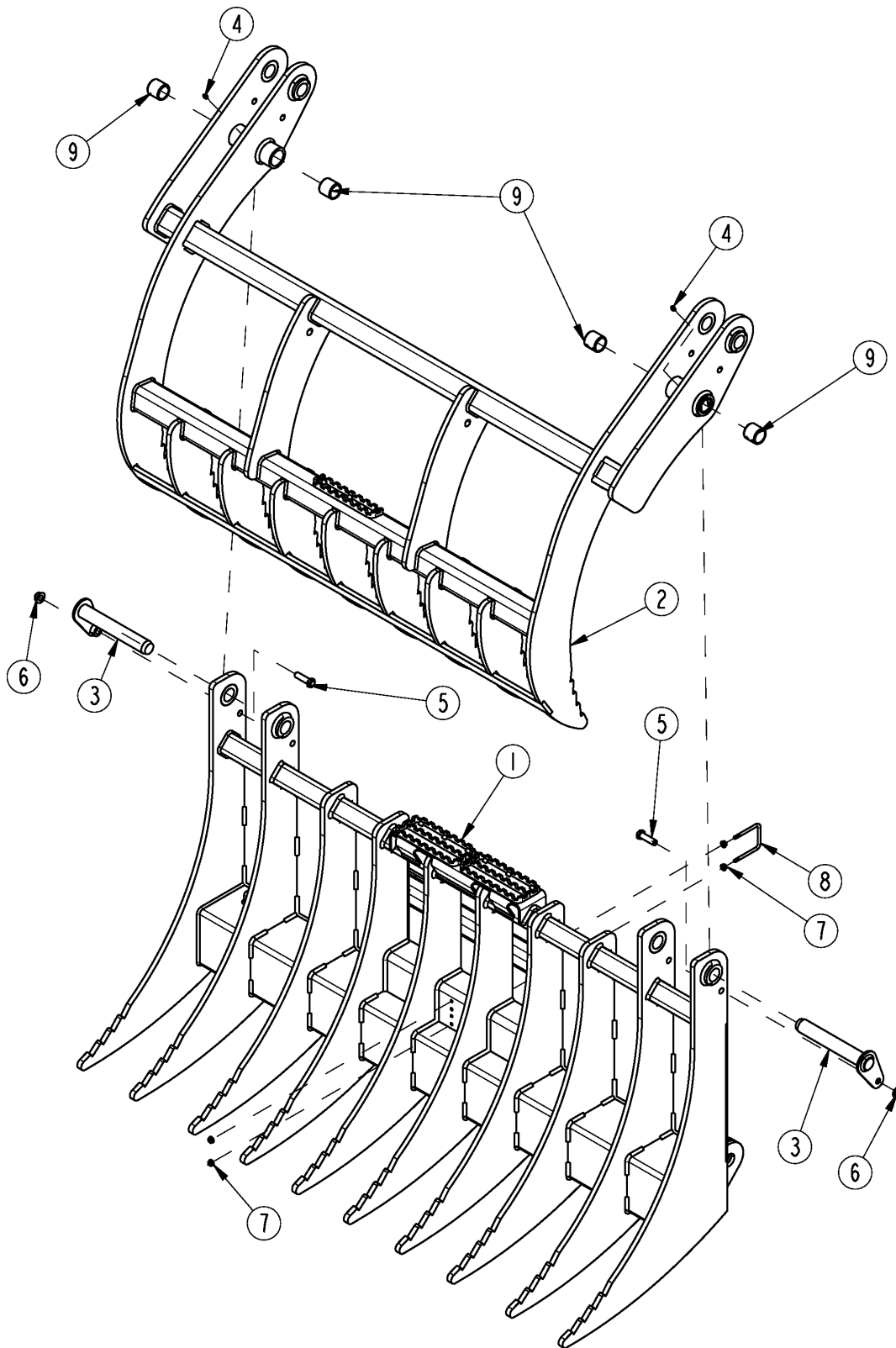
Serial Numbers

Always use the serial and model number when ordering parts. Refer to the Operator's Manual for serial number plate location.

- (S/N 20001+) Includes serial numbers 20001 and above (to the latest number)
- (S/N 10001 to 20000) Includes serial numbers between and including 10001 and 20000
- (S/N 10000-) Includes serial numbers 10000 and below (to the earliest number)

Grapple & Claw Frame

Applies to AP-SGC2072, AP-SGC2084



35210

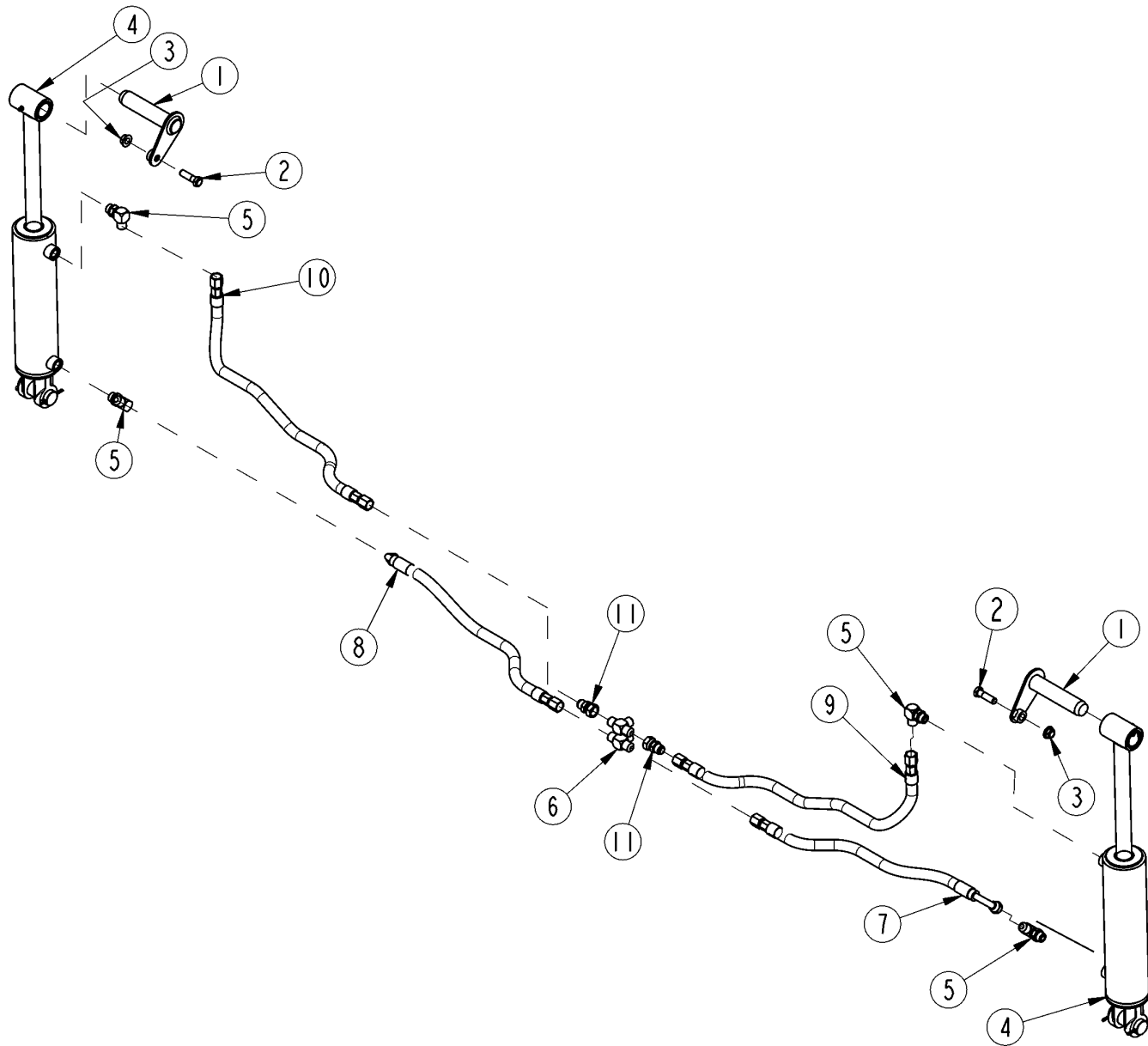
Grapple & Claw Frame

Applies to AP-SGC2072, AP-SGC2084

Ref	Part No.	Part Description	Comments	Revision
	Dwg 35210	Drawing Image Number		
1.	380-008H	GRAPPLE FRAME, 72		
1.	380-011H	GRAPPLE FRAME, 84		
2.	380-009H	GRAPPLE JAW, 72		
2.	380-012H	GRAPPLE JAW, 84		
3.	380-004H	PIVOT PIN		
4.	800-080C	GREASE ZERK 1/4-28 THD FORMING		
5.	802-082C	HHCS 1/2-13X1 3/4 GR5		
6.	803-169C	NUT HEX FLG LOCK 1/2-13 PLT		
7.	803-194C	NUT HEX WHIZ 1/4-20 PLT		
8.	806-147C	U-BOLT 1/4-20 X 2 9/32 X 3 GR2		
9.	891-177C	BHG 1.50ODX1.25X1.38		

Hydraulic Components

Applies to AP-SGC2072, AP-SGC2084



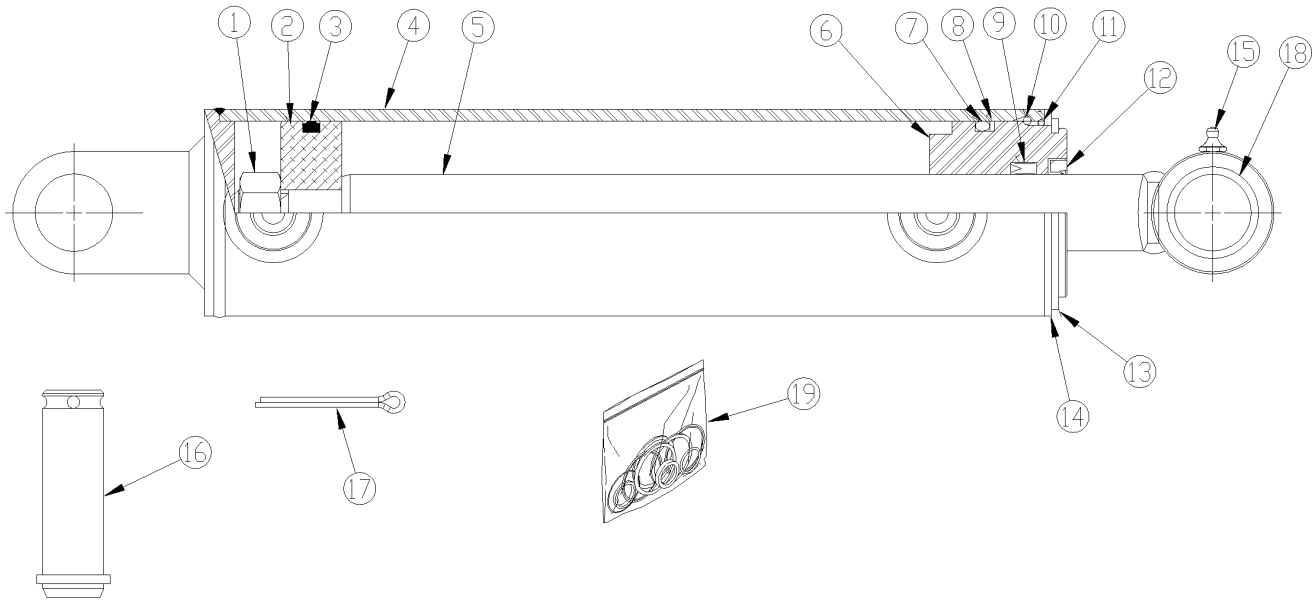
35211

Hydraulic Components**Applies to AP-SGC2072, AP-SGC2084**

Ref	Part No.	Part Description	Comments	Revision
	Dwg 35211	Drawing Image Number		
1.	380-005H	PIVOT PIN		
2.	802-082C	HHCS 1/2-13X1 3/4 GR5		
3.	803-169C	NUT HEX FLG LOCK 1/2-13 PLT		
4.	810-783C	CYL 3X10X1 1/4 (WLD) W/BSHGS		
5.	811-063C	EL 3/4MJIC 3/4MORB		
6.	811-078C	TE 3/4MJIC		
7.	841-682C	HH1/2R2 030 3/4FJIC(1 90) TC	SGC2072	
7.	841-693C	HH1/2R2 036 3/4FJIC(1 90) TC	SGC2084	
8.	841-682C	HH1/2R2 030 3/4FJIC(1 90) TC	SGC2072	
8.	841-693C	HH1/2R2 036 3/4FJIC(1 90) TC	SGC2084	
9.	841-692C	HH1/2R2 036 3/4FJIC TC	SGC2072	
9.	841-694C	HH1/2R2 042 3/4FJIC TC	SGC2084	
10.	841-692C	HH1/2R2 036 3/4FJIC TC	SGC2072	
10.	841-694C	HH1/2R2 042 3/4FJIC TC	SGC2084	
11.	841-873C	ORAD 1/8 3/4MJIC 3/4 FJIC		

Hydraulic Cylinder (810-783C)

Applies to AP-SGC2072, AP-SGC2084



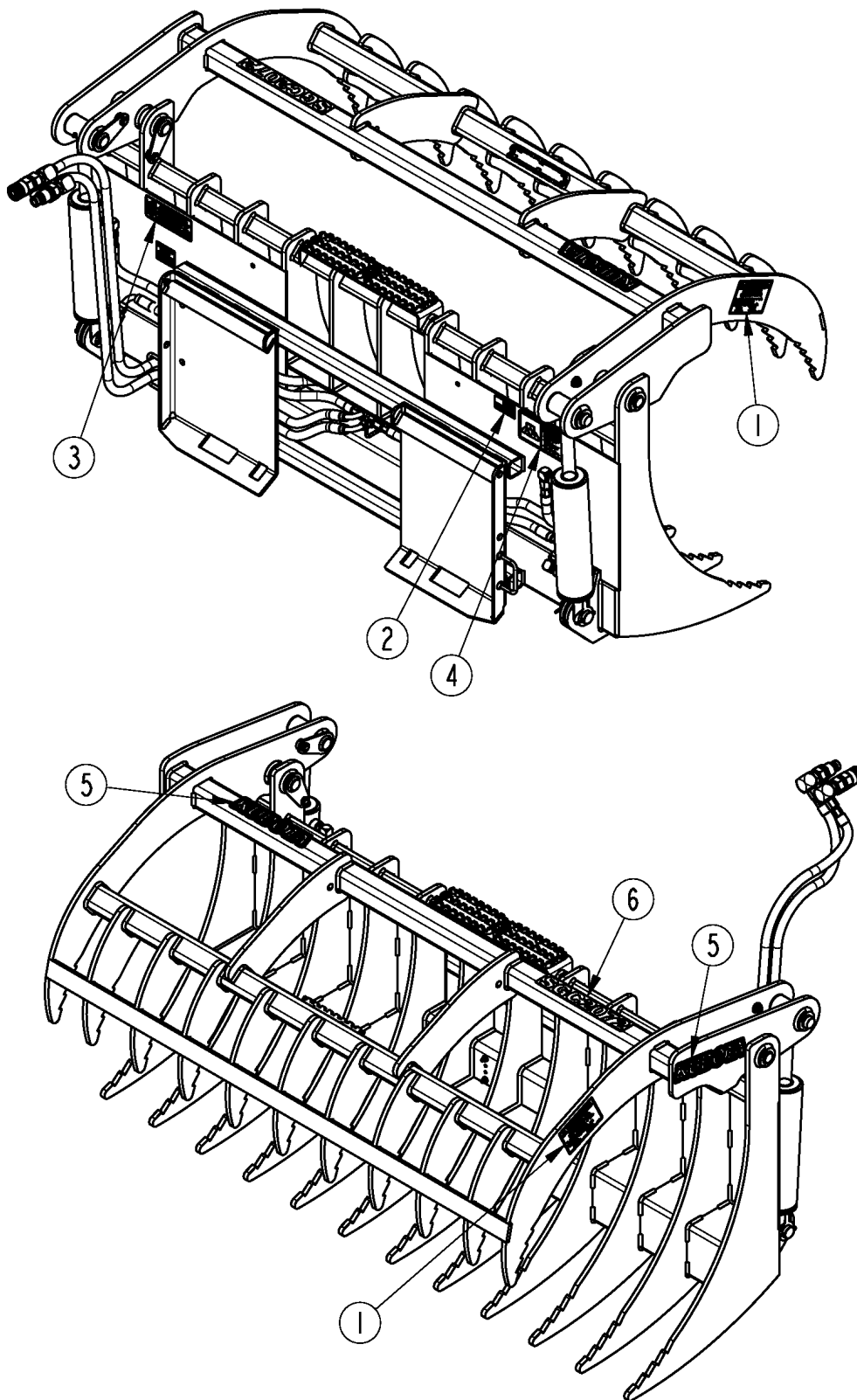
35213

Hydraulic Cylinder (810-783C)**Applies to AP-SGC2072, AP-SGC2084**

Ref	Part No.	Part Description	Comments	Revision
	Dwg 35213 810-783C	Drawing Image Number CYL 3X10X1 1/4 (WLD) W/BSHGS *		
1.	2A0246-12	CROSS NUT, PISTON		
2.	4C4360	CROSS PISTON		
3.	N/A	CROSS CROWN SEAL	In Seal Kit #19	
4.	4C6421	CROSS TUBE ASSY		
5.	N/A	CROSS ROD ASSY		
6.	4C5519	CROSS HEAD		
7.	N/A	CROSS, O-RING	In Seal Kit #19	
8.	N/A	CROSS, BACK-UP	In Seal Kit #19	
9.	N/A	CROSS U-CUP	In Seal Kit #19	
10.	2A0462-300	CROSS RETAINING RING		
11.	N/A	CROSS O-RING	In Seal Kit #19	
12.	N/A	WIPER SEAL CROSS	In Seal Kit #19	
13.	1A1757	CROSS RETAINING RING		
14.	4C5180	CROSS SPACER		
15.	2A0172-20	CROSS LUBE FITTING		
16.	1D1551-20275	CROSS CLEVIS PIN		
17.	805-032C	PIN HAIR COTTER .148 WIRE		
18.	891-177C	BHG 1.50ODX1.25X1.38		
19.	4C5844	CROSS SEAL KIT (810-783C)		

Label Placement

Applies to AP-SGC2072, AP-SGC2084



37678

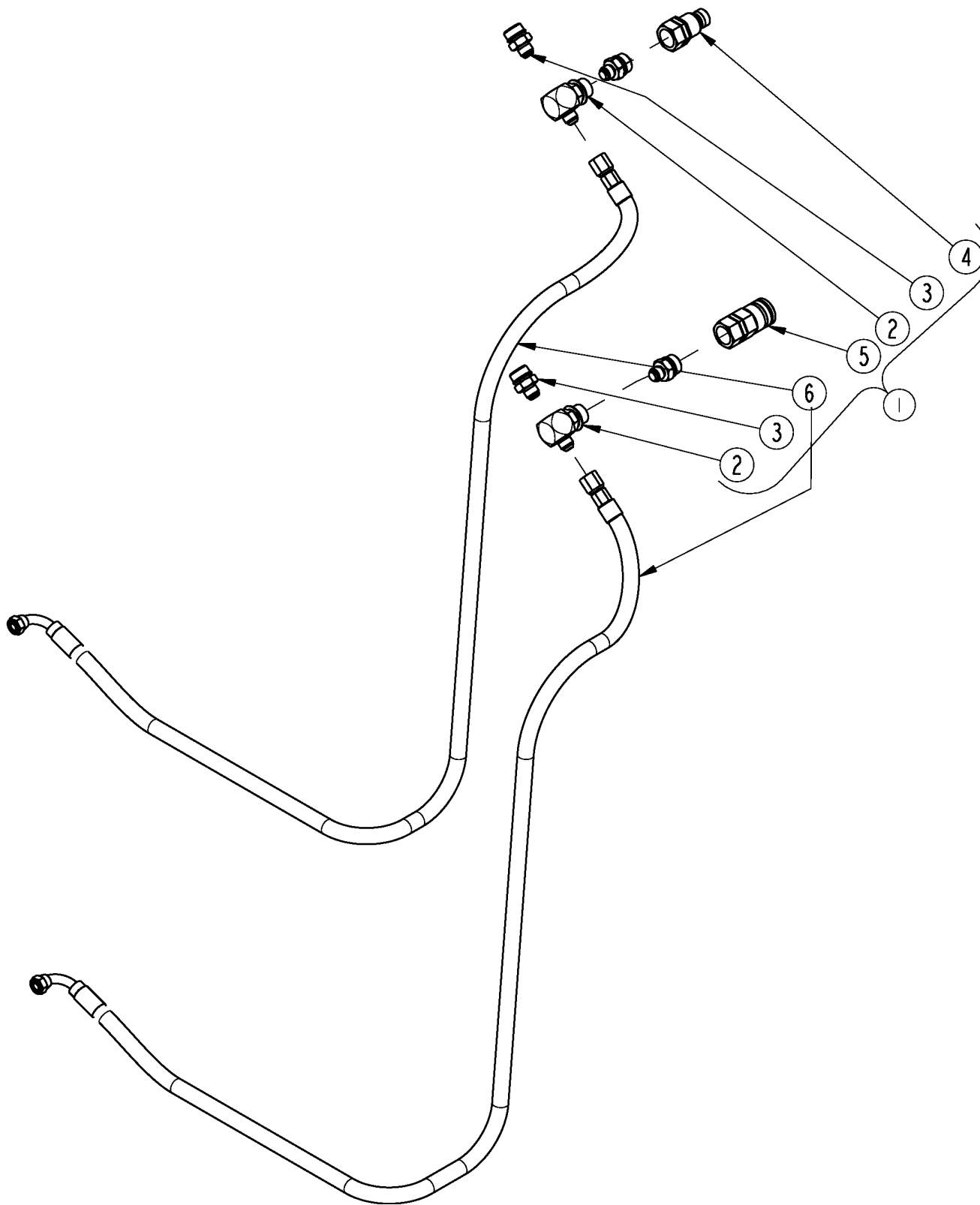
Label Placement

Applies to AP-SGC2072, AP-SGC2084

Ref	Part No.	Part Description	Comments	Revision
	Dwg 37678	Drawing Image Number		
1.	818-045C	DECAL WARNING PINCH PT/CRUSH		
2.	818-190C	DECAL FLAG		
3.	838-094C	DECAL WARNING HYD PRESS LONG		
4.	838-293C	DECAL WARNING READ MANUAL		
5.	858-398C	DECAL KUBOTA 10"		
6.	858-473C	DECAL SGC2072 WHITE		
6.	858-474C	DECAL SGC2084 WHITE		

SGC Hose Bundle Kubota SVL

Applies to AP-SGC2072, AP-SGC2084



35298

SGC Hose Bundle Kubota SVL

Applies to AP-SGC2072, AP-SGC2084

Ref	Part No.	Part Description	Comments	Revision
	Dwg 35298	Drawing Image Number		
1.	380-063A	HOSE BUNDLE, KUBOTA SVL		
2.	811-091C	EL 3/4MJIC 1 1/16MORB		
3.	811-205C	AD 3/4MJIC 1 1/16MORB		
4.	811-744C	CP 1 1/16FORB MALE QUICK		
5.	811-745C	CP 1 1/16FORB FEMALE QUICK		
6.	841-695C	HH1/2R2 076 3/4FJIC90 TC		



Part Number Index

The Part Number Index is a numeric index of all part numbers included in this manual. The index shows what page(s) the part is used on.

<u>Part Number</u>	<u>Page</u>
1A1757	11
1D1551-20275	11
2A0172-20	11
2A0246-12	11
2A0462-300	11
380-004H	7
380-005H	9
380-008H	7
380-009H	7
380-011H	7
380-012H	7
380-063A	15
4C4360	11
4C5180	11
4C5519	11
4C5844	11
4C6421	11
800-080C	7
802-082C	7, 9
803-169C	7, 9
803-194C	7
805-032C	11
806-147C	7
810-783C	9, 11
811-063C	9
811-078C	9
811-091C	15
811-205C	15
811-744C	15
811-745C	15
818-045C	13
818-190C	13
838-094C	13
838-293C	13
841-682C	9
841-692C	9
841-693C	9
841-694C	9
841-695C	15
841-873C	9
858-398C	13
858-473C	13
858-474C	13
891-177C	7, 11
Dwg 35210	7
Dwg 35211	9
Dwg 35213	11
Dwg 35298	15
Dwg 37678	13
N/A	11

This Page Intentionally Left Blank



KUBOTA TRACTOR CORPORATION

3401 Del Amo Blvd., Torrance, CA 90503, U.S.A.
Telephone: (310)370-3370

Western Division: 1175 S. Guild Ave., Lodi, CA 95240
Telephone: (209)334-9910

Central Division: 4855 FAA Blvd., Fort Worth, TX 76155
Telephone: (817)571-0900

Northern Division: 6300 at One Kubota Way, Groveport, OH 43125
Telephone: (614)835-1100

Southeast Division: 1025 Northbrook Parkway, Suwanee, GA 30024
Telephone: (770)995-8855

www.kubota.com
