

Z & ZSR Roll Over Protective Structure Assembly Instructions



For Z48, Z54, ZSR54 & ZSR60 Zero Turn Mowers

Manual No. 357-347M

Before You Start



When you see this symbol, the subsequent instructions and warnings are serious - follow without exception. Your life and the lives of others depend on it!

IMPORTANT: Before you begin, read these instructions and check to be sure all parts and tools are accounted for. Please retain these installation instructions for future reference and parts ordering information.

Your Roll Over Protective Structure (ROPS) is exclusively designed for your Land Pride Z & ZSR mower. Please read these installation instructions and your Zero Turn Operator's Manual thoroughly before beginning. Especially read information relating to safety concerns. Also included in the Operator's Manual is important information on operation, adjustment, troubleshooting, and maintenance for this attachment (some manual sections do not apply to all accessories).

A separate Parts Manual for replacement parts can be purchased from your nearest Land Pride dealer or downloaded free of charge from our website at www.landpride.com. Have model and serial numbers handy when placing an order.

Manual Part Numbers:

- Operator's Manual 357-344M
- Z48 & Z54 Parts manual 357-344P
- ZSR54 & ZSR60 Parts Manual 357-388P

General Information

These assembly instructions apply to the following Accessory kit:

357-346A Folding ROPS W/Seat Belt, Z & ZSR Series

Tools required:

- Safety Glasses
- Work Gloves
- 11/16" box end or open end wrench
- 3/4" box end or open end wrench
- Torque wrench with 11/16" & 3/4" sockets

Assembly Instructions



WARNING

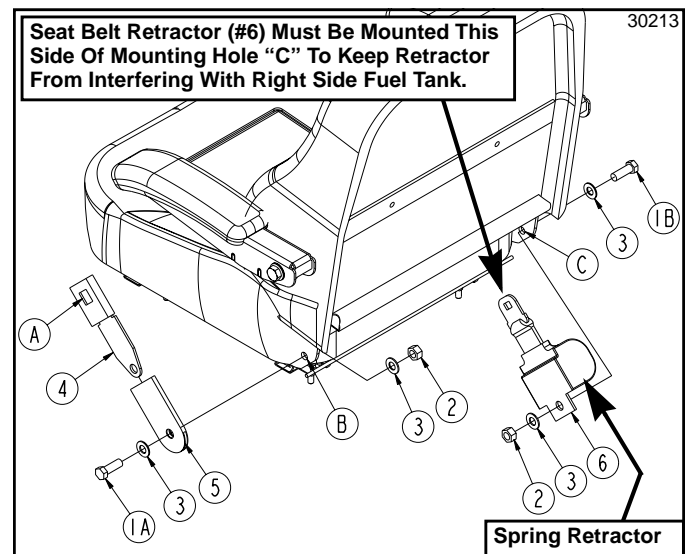
Do not modify the Roll Over Protective Structure in any way. This Roll Over Protective Structure has been designed specifically for this machine and any modifications can affect its performance in the event of a roll over.

IMPORTANT: Your mower seat must have seat belt mounting holes in the back rest side plates. See Figure 1, balloon (B). If it does not, you will need to replace your seat with one that does.

A detailed listing of parts for this accessory kit is provided on page 2. Use the list as a checklist to inventory parts received. Please contact your local Land Pride dealer for any missing hardware.

Initial Preparations

1. Park unit on a flat level surface. Make sure blade engagement switch is **(OFF)**, both control levers are fully **(OUT)**, park brake is **(ON)** and switch key is turned **(OFF)** and removed.



Seat Belt Assembly (Deluxe Seat Shown)
Suspension Seat Also Includes Seat Belt Mounts (B & C)

Figure 1

Seat Belt Assembly

Refer to Figure 1

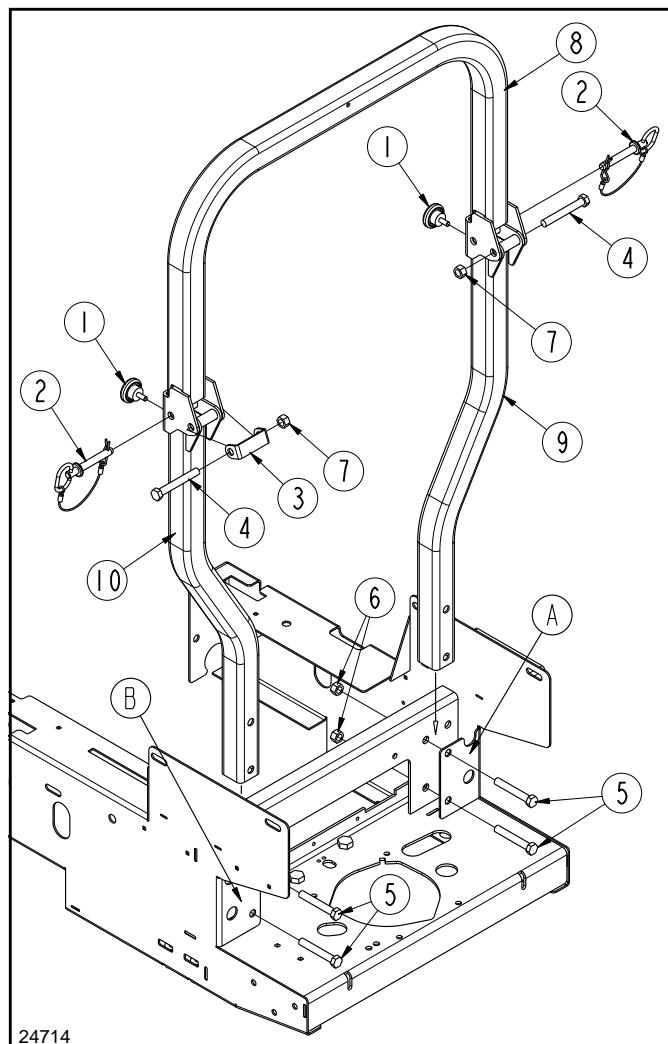
1. Insert seat belt clip (#4) with push button "A" into clip sleeve (#5).
2. Make sure push button "A" is facing out as shown. Insert 7/16" bolt (#1A) through flat washer (#3), seat belt clip & sleeve (#4 & #5), mounting hole "B" and flat washer (#3). Secure bolt with nylock nut (#2). Rotate seat belt up to the approximate angle shown and tighten nylock nut to 36 ft-lbs. of torque.
3. Orient seat belt retractor (#6) with spring retractor facing out as shown. Insert 7/16" bolt (#1B) through flat washer (#3), mounting hole "C", seat belt retractor (#6) and flat washer (#3). Secure bolt with nylock nut (#2). Rotate seat belt retractor to the approximate angle shown and tighten nylock nut to 36 ft-lbs. of torque.

Assembly Instructions

Folding ROPS Assembly

Refer to Figure 2:

1. Install lower right hand ROPS tube (#9) in mounting bracket "A". Make sure hinge at the top faces back.
2. Insert 1/2" x 3 1/4" GR5 hex head cap screws (#5) through mounting bracket "A" and ROPS tube (#9). Secure with 1/2" lock nuts (#6). Draw lock nuts up snug, do not tighten.
3. Install lower left hand ROPS tube (#10) in mounting bracket "B". Make sure hinge at the top faces back.
4. Insert 1/2" x 3 1/4" GR5 hex head cap screws (#5) through mounting bracket "B" and ROPS tube (#10). Secure with 1/2" lock nuts (#6). Draw lock nuts up snug, do not tighten.
5. Be sure to install ROPS stop (#3) on the left side as shown when inserting cap screw (#4) on the left side. Attach upper ROPS tube (#8) to lower ROPS tubes (#9 & #10) with 1/2" x 3 3/4" GR5 cap screws (#4) and hex lock nuts (#7). Draw hex lock nuts up snug, do not torque tight.
6. Tighten hex lock nuts (#6) to 76 ft-lbs.
7. Rotate ROPS loop end (#8) up and insert locking pins (#2). Secure locking pins with hair pin clips attached to locking pins.
8. Install locking knobs (#1) and hand tighten.



Folding ROPS Bar Assembly
Figure 2

Kit No. 357-346A

Folding ROPS W/Seat Belt, Z & ZSR Series

Items	Figure No.	Part No.	Part Description	Qty
1 to 6	Figure 1	357-420A	RETRACTABLE SEAT BELT KIT, Z-MOWERS	1
1	Figure 2	230024700	LOCKING KNOB	2
2	Figure 2	230311900	PIN, ROPS HINGE	2
3	Figure 2	711834101	ROPS STOP	1
4	Figure 2	802-042C	HHCS 1/2-13 X 3 3/4 GR5	2
5	Figure 2	802-099C	HHCS 1/2-13 X 3 1/4 GR5	4
6	Figure 2	803-019C	NUT LOCK 1/2-13 PLT	4
7	Figure 2	803-019C	NUT LOCK 1/2-13 PLT	2
8, 9, & 10	Figure 2	823-302C	Z48, Z54, ZSR54 & ZSR60 FOLDING ROPS	1
	357-347M		INSTRUCTION, ROPS INSTALLATION MANUAL	



Corporate Office: P.O. Box 5060
Salina, Kansas 67402-5060 USA
www.landpride.com