

# Mulching Baffle Kit Land Pride Zero Turn Mower



Manual No. 357-129M

Z44 & Z52 LP Razor; ZXT54 & ZXT60 Pro and ZT60 & ZT72 LP Accu-Z

## Before You Start



When you see this symbol, the subsequent instructions and warnings are serious - follow without exception. Your life and the lives of others depend on it!

**IMPORTANT:** Before you begin, read these instructions and check to be sure all parts and tools are accounted for. Please retain these installation instructions for future reference and parts ordering information.

Your Land Pride Mulching Baffle Kit is exclusively designed for your Land Pride Zero Turn mower. Please read these installation instructions and the vehicle Operator's Manual thoroughly before beginning. Especially read information relating to safety concerns. Also included in the Operator's Manual is important information on operation, adjustment, troubleshooting, and maintenance for this attachment (some manual sections do not apply to all accessories).

A separate Parts Manual for replacement parts can be purchased from your dealer or available free of charge at [www.landpride.com](http://www.landpride.com). Have model and serial numbers handy when placing an order.

## Manual Part Numbers:

- Operator's Manual (Z44 & Z52) . . . . . 357-044M
- Parts Manual (Z44 & Z52) . . . . . 357-044P
- Operator's Manual (ZXT54 & ZXT60) . . 357-271M
- Parts Manual (ZXT54 & ZXT60) . . . . . 357-271P
- Operator's Manual (ZT60 & ZT72) . . . . . 357-103M
- Parts Manual (ZT60 & ZT72) . . . . . 357-103P

## General Information

These assembly instructions apply to the following Mulching Baffle Kits listed below:

- 357-083A Z44 MULCH BAFFLE KIT . . . . . Pg. 1
- 357-084A Z52 MULCH BAFFLE KIT . . . . . Pg. 1
- 357-278A ZXT54 MULCH BAFFLE KIT (S/N 664616-) Pg. 5
- 357-135A ZXT60 MULCH BAFFLE KIT (S/N 664616-) Pg. 4
- 357-130A ZT60 MULCH BAFFLE KIT (S/N 505070-) . Pg. 3
- 357-135A ZT60 MULCH BAFFLE KIT (S/N 505071+) . Pg. 4
- 357-131A ZT72 MULCH BAFFLE KIT (S/N 510757-) . Pg. 3
- 357-136A ZT72 MULCH BAFFLE KIT (S/N 510758+) . Pg. 4

## Tools required

- Basic hand tools

## Definitions

Right-hand and left-hand as used in this manual is determined by facing the direction the machine will operate while in use unless otherwise stated.

## Z44 & Z52 Assembly Instructions

- Z44 . . . . . Kit No. 357-083A
- Z52 . . . . . Kit No. 357-084A

A detailed listing of parts for each accessory kit is provided on page 2. Use the list that is for your Baffle Kit as a checklist to inventory parts received. Please contact your local Land Pride dealer for any missing hardware.

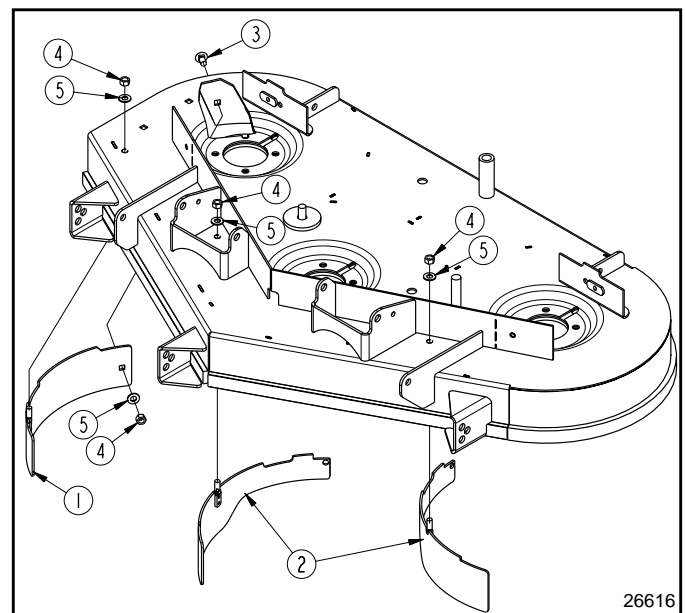
1. Park mower on a flat surface, place control levers in park brake position, shut off engine and remove spark plug wire from spark plug.
2. Remove deck cover and raise front end of mower enough to allow room to install baffles.

**NOTE:** Be sure to properly block up mower so it can not move after it is raised.

**NOTE:** (Z52 S/N 472620 to 504958) A mounting hole must be relocated for model Z52 mower (Kit No. 357-084A). See page 2 for instructions on drilling the "Z52 Relocated Baffle Hole".

### Refer to Figure 1:

3. Locate pilot holes which have knock-outs in the deck top. Punch-out these holes. Make sure knock-outs are completely removed.
4. Mount baffles (#1 & #2) to the deck with 3/8"-16 x 3/4" round head square neck bolt (#3), flat washers (#5) and 3/8" hex nuts (#4). Tighten nuts to 20 ft-lbs.
5. Lower unit to ground and reconnect spark plug wire.



Z44 & Z52 Mulching Baffle Kit]  
Figure 1

## Z44 & Z52 Assembly Instructions

### Z52 Relocated Baffle Hole

Refer to Figure 2:

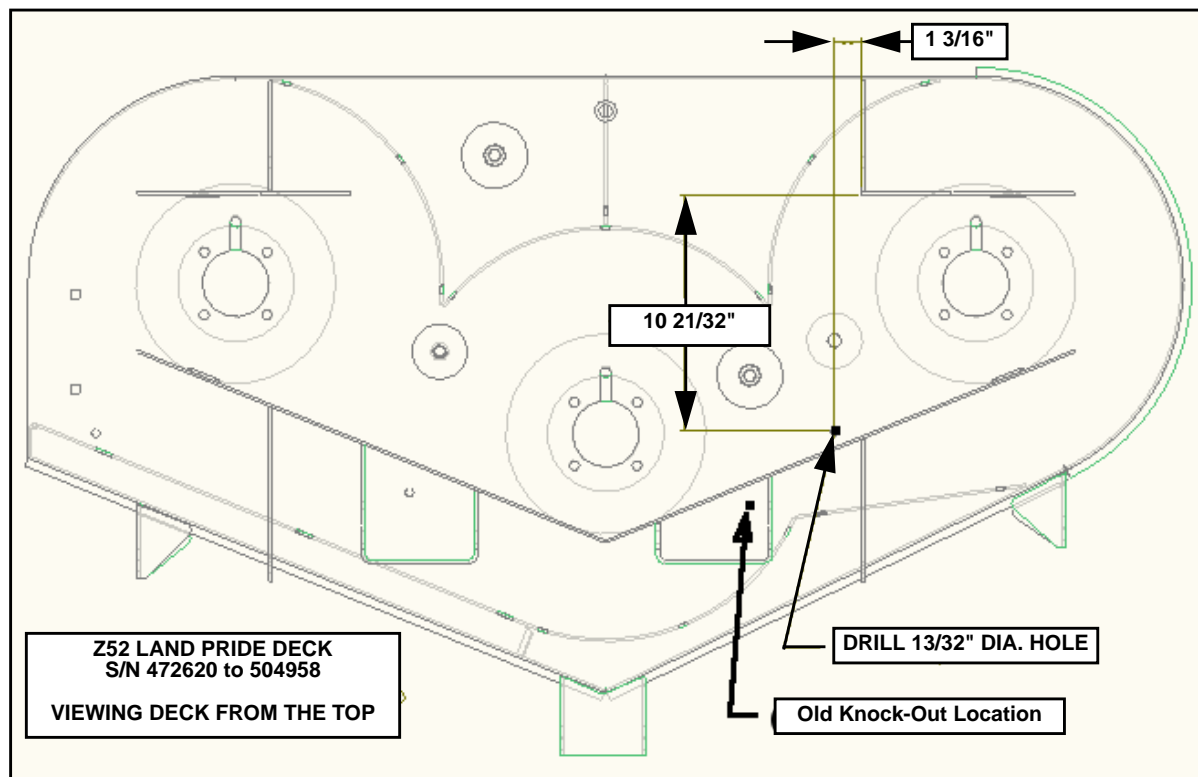
If the serial number of your model Z52 mower is between 472620 and 504958 inclusive, then your Mulching Baffle Kit No. 357-084A will require relocating a knock-out as shown in Figure 2.

6. Measure 1 3/16" from face of stiffener plate towards the center of the deck and 10 21/32" from second face

of stiffener plate towards the front of the deck as shown.

7. Center punch this location and drill one 13/32" diameter hole.

**NOTE:** Do not use the old pilot hole location when installing baffle.



Z52 Baffle Mulch Kit Hole Relocation  
Figure 2

**Z44 MULCHING BAFFLE KIT (BLADES NOT INCLUDED)... 357-083A**  
Your kit includes:

Item	Qty.	Part No.	Part Description
1	1	357-087H	ZR44" MULCH BAFFLE 12.6" CHORD LENGTHG
2	2	357-085H	ZR44" MULCH COMMON BAFFLE 13.3" CHORD LG
3	1	802-149C	RHSNB 3/8-16X3/4 GR5
4	4	803-014C	NUT HEX 3/8-16 PLT
5	4	804-012C	WASHER FLAT 3/8 SAE PLT
	1	357-129M	MULCHING BAFFLE KIT MANUAL Z MOWER

**Z52 MULCHING BAFFLE KIT (BLADES NOT INCLUDED) ... 357-084A**  
Your kit includes:

Item	Qty.	Part No.	Part Description
1	1	357-088H	ZR52" MULCH BAFFLE 13.1" CHORD LENGTHG
2	2	357-086H	ZR52" MULCH COMMON BAFFLE 14.3" CHORD LG
3	1	802-149C	RHSNB 3/8-16X3/4 GR5
4	4	803-014C	NUT HEX 3/8-16 PLT
5	4	804-012C	WASHER FLAT 3/8 SAE PLT
	1	357-129M	MULCHING BAFFLE KIT MANUAL Z MOWER

Mulching Blade Ordering Information	
Mower Model	Requires 3 Blades
Z44	890-934C 15.5" Mulch Blade
Z52	839-270C 18" Mulch Blade

## ZT60 & ZT72 Assembly Instructions

### ZT60 & ZT72 Assembly Instructions

**ZT60 (S/N 505070-) . . . . . Kit No. 357-130A**  
**ZT72 (S/N 510757-) . . . . . Kit No. 357-131A**

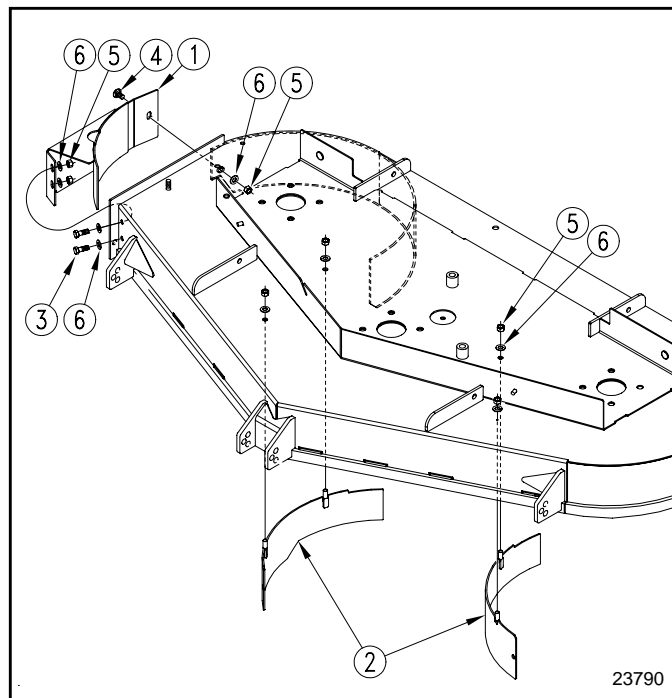
Use the list below that is for your Mulching Baffle Kit as a checklist to inventory parts received. Please contact your local Land Pride dealer for any missing hardware.

1. Park mower on a flat surface, place control levers in park brake position, shut off engine and remove spark plug wire from spark plug.
2. Remove deck cover and raise front end of mower enough to allow room to install the baffles.

**NOTE:** Be sure to properly block up mower so it can not move after it is raised.

**Refer to Figure 3:**

3. Locate pilot holes which have knock-outs in the deck. Punch-out these holes. Make sure knock-outs are completely removed.
4. Mount baffles (#2) to the deck with 3/8" flat washers (#6) and 3/8"-16 hex nuts (#5). Tighten nuts to 20 ft-lbs.
5. Mount baffle (#1) to the deck with 3/8"-16 x 1" GR5 hex head cap screws, 3/8"-16 x 3/4" round head square neck bolt (#4), 3/8" flat washers (#6) and 3/8" hex whiz nuts (#5). Tighten nuts to 31 ft-lbs.
6. Lower unit and reconnect spark plug wire.



**ZT60 & ZT72 Mulching Baffle Kit**  
**Figure 3**

<b>ZT60 (S/N 505070-) MULCHING BAFFLE KIT No. . . . . 357-130A</b>			
Your kit includes: (Note: Blades Are Not Included)			
Item	Qty.	Part No.	Part Description
1	1	356-034H	MULCH BAFFLE WELDMENT
2	2	356-143H	BAFFLE, Z60
3	2	802-017C	HHCS 3/8-16X1 GR5
4	1	802-149C	RHSNB 3/8-16X3/4 GR5
5	7	803-014C	NUT HEX 3/8-16 PLT
6	9	804-012C	WASHER FLAT 3/8 SAE PLT
	1	357-129M	MULCHING BAFFLE KIT MANUAL Z MOWER

<b>ZT72 (S/N 510757-) MULCHING BAFFLE KIT No. . . . . 357-131A</b>			
Your kit includes: (Note: Blades Are Not Included)			
Item	Qty.	Part No.	Part Description
1	1	356-034H	MULCH BAFFLE WELDMENT
2	2	356-144H	MULCH KIT BAFFLE Z72
3	2	802-017C	HHCS 3/8-16X1 GR5
4	1	802-149C	RHSNB 3/8-16X3/4 GR5
5	7	803-014C	NUT HEX 3/8-16 PLT
6	9	804-012C	WASHER FLAT 3/8 SAE PLT
	1	357-129M	MULCHING BAFFLE KIT MANUAL Z MOWER

<b>Mulching Blade Ordering Information</b>	
Mower Model	Requires 3 Blades
ZT60	890-702C 20.9" Mulch Blade
ZT72	890-698C 25" Mulch Blade

**ZXT60, ZT60 & ZT72 Assembly Instructions**

**ZXT60, ZT60 & ZT72 Assembly Instructions**

**ZXT60 (S/N 664616- ) . . . . . Kit No. 357-135A**  
**ZT60 (S/N 505071+) . . . . . Kit No. 357-135A**  
**ZT72 (S/N 510758+) . . . . . Kit No. 357-136A**

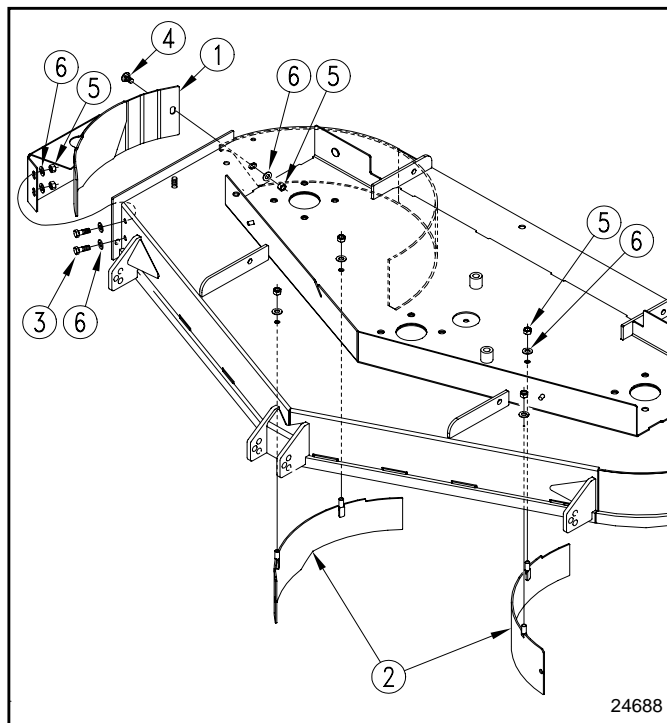
Use the list below that is for your Mulching Baffle Kit as a checklist to inventory parts received. Please contact your local Land Pride dealer for any missing hardware.

1. Park mower on a flat surface, move control levers fully out, (ZXT60 only: set park brake lever to on), shut engine off and remove spark plug wire from spark plug.
2. Remove deck cover and raise front end of mower enough to allow room to install the baffles.

**NOTE:** Be sure to properly block up mower so it can not move after it is raised.

**Refer to Figure 4:**

3. Locate pilot holes which have knock-outs in the deck. Punch-out these holes. Make sure knock-outs are completely removed.
4. Mount baffles (#2) to the deck with 3/8" flat washers (#6) and 3/8"-16 hex nuts (#5). Tighten nuts to 20 ft-lbs.
5. Mount baffle (#1) to the deck with 3/8"-16 x 1" GR5 hex head cap screws, 3/8"-16 x 3/4" round head square neck bolt (#4), 3/8" flat washers (#6) and 3/8" hex whiz nuts (#5). Tighten nuts to 31 ft-lbs.
6. Lower unit and reconnect spark plug wire.



**ZT60 & ZT72 Mulching Baffle Kit**  
**Figure 4**

<b>ZXT60 (S/N 664616- ) MULCHING BAFFLE KIT No. . . . . 357-135A</b>			
<b>ZT60 (S/N 505071+) MULCHING BAFFLE KIT No. . . . . 357-135A</b>			
Your kit includes: (Note: Blades Are Not Included)			
Item	Qty.	Part No.	Part Description
1	1	357-134H	MULCH BAFFLE WELDMENT
2	2	356-143H	BAFFLE, Z60
3	2	802-017C	HHCS 3/8-16X1 GR5
4	1	802-149C	RHSNB 3/8-16X3/4 GR5
5	7	803-014C	NUT HEX 3/8-16 PLT
6	9	804-012C	WASHER FLAT 3/8 SAE PLT
	1	357-129M	MULCHING BAFFLE KIT MANUAL Z MOWER

<b>ZT72 (S/N 510758+) MULCHING BAFFLE KIT No. . . . . 357-136A</b>			
Your kit includes: (Note: Blades Are Not Included)			
Item	Qty.	Part No.	Part Description
1	1	357-133H	MULCH BAFFLE WELDMENT
2	2	356-144H	MULCH KIT BAFFLE Z72
3	2	802-017C	HHCS 3/8-16X1 GR5
4	1	802-149C	RHSNB 3/8-16X3/4 GR5
5	7	803-014C	NUT HEX 3/8-16 PLT
6	9	804-012C	WASHER FLAT 3/8 SAE PLT
	1	357-129M	MULCHING BAFFLE KIT MANUAL Z MOWER

<b>Mulching Blade Ordering Information</b>	
<b>Mower Model</b>	<b>Requires 3 Blades</b>
ZXT60 & ZT60	890-702C 20.9" Mulch Blade
ZT72	890-698C 25" Mulch Blade

## ZXT54 Assembly Instructions

### ZXT54 Assembly Instructions

#### ZXT54 Kit No. 357-278A (S/N 664616-)

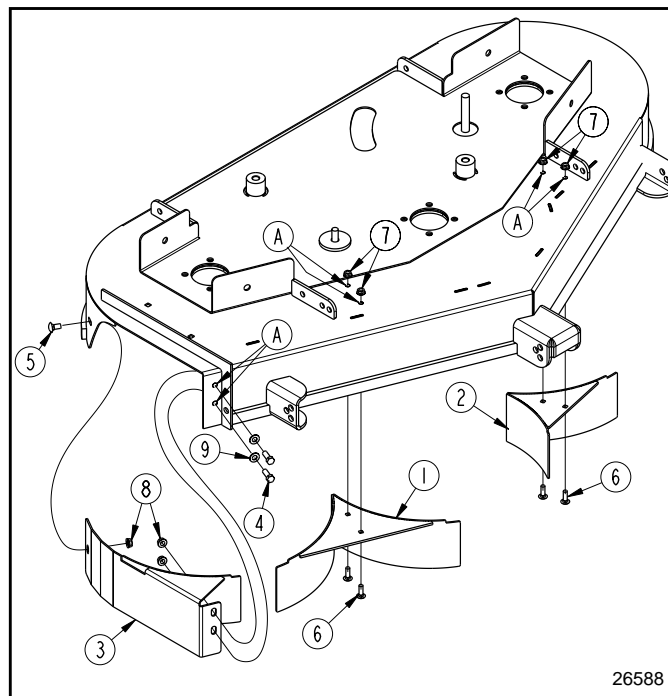
Use the list below that is for your Mulching Baffle Kit as a checklist to inventory parts received. Please contact your local Land Pride dealer for any missing hardware.

1. Park mower on a flat surface, move control levers fully out, set park brake lever to on, shut engine off and remove spark plug wire from spark plug.
2. Remove deck cover and raise front end of mower enough to allow room to install the baffles.

**NOTE:** Be sure to properly block up mower so it can not move after it is raised.

**Refer to Figure 5:**

3. Locate pilot holes (A) which have knock-outs in the deck. Punch-out these holes. Make sure knock-outs are completely removed.
4. Mount baffles (#1 and #2) to the deck with 5/16"-18 x 1" GR5 round head square neck bolts (#6) and hex whiz nut (#7). Tighten nuts to 17 ft-lbs.
5. Mount baffle (#3) to the deck with two 3/8"-16 x 1" GR5 hex head cap screws, 3/8" flat washers and one 3/8"-16 x 3/4" round head square neck bolt (#5). Secure bolts with 3/8" hex whiz nuts (#8). Tighten nuts to 31 ft-lbs.
6. Lower unit and reconnect spark plug wire.



**ZXT54 Mulching Baffle Kit  
Figure 5**

<b>ZXT54 (S/N 664616-) MULCHING BAFFLE KIT No. . . . . 357-278A</b>			
Your kit includes: (Note: Blades Are Not Included)			
Item	Qty.	Part No.	Part Description
1	1	357-248H	MULCH BAFFLE, FRONT, RIGHT
2	1	357-249H	MULCH BAFFLE, FRONT, LEFT
3	1	357-250H	MULCH PLUG
4	2	802-017C	HHCS 3/8-16 x 1 GR5
5	1	802-149C	RHSNB 3/8-16 x 3/4 GR5
6	4	802-282C	RHSNB 5/16-18 X 1 GR5
7	4	803-043C	NUT HEX WHIZ 5/16-18 PLT
8	3	803-198C	NUT HEX WHIZ 3/8-16 PLT
9	2	804-012C	WASHER FLAT 3/8 SAE PLT
	1	357-129M	MULCHING BAFFLE KIT MANUAL Z MOWER

<b>Mulching Blade Ordering Information</b>	
<b>Mower Model</b>	<b>Requires 3 Blades</b>
ZXT54	890-991C 18.77" Mulch Blade



Corporate Office: P.O. Box 5060  
Salina, Kansas 67402-5060 USA  
[www.landpride.com](http://www.landpride.com)

---