

Accu-Vac Grass Collection System



Accuz-Z Z52, Z60 & Z72 Mower

Manual No. 356-537M

Before You Start

lpservicedept@landpride.com



When you see this symbol, the subsequent instructions and warnings are serious - follow without exception. Your life and the lives of others depend on it!

IMPORTANT: Before you begin, read these instructions and check to be sure all parts and tools are accounted for. Please retain these installation instructions for future reference and parts ordering information.

Your Accu-Vac Grass Collection System is exclusively designed for your Land Pride Z52, Z60 & Z72 Accu-Z Mower. Please read these installation instructions and your Z52, Z60 & Z72 Accu-Z Mower Operator's Manual thoroughly before beginning. Especially read information relating to safety concerns. Also included in the Operator's Manual is important information on operation, adjustment, troubleshooting, and maintenance for this attachment (some manual sections do not apply to all accessories).

General Information

These assembly instructions apply to the following Accu-Vac Grass Collection System Accessories listed below:

356-500A 60" BAGGER ASSEMBLY

356-520A 52" BAGGER ASSEMBLY

356-534A 72" BAGGER ASSEMBLY

Further Assistance

Your dealer wants you to be satisfied with your new Accu-Vac Grass Collection System. If for any reason you do not understand any part of this manual or are not satisfied with the service received, the following actions are suggested:

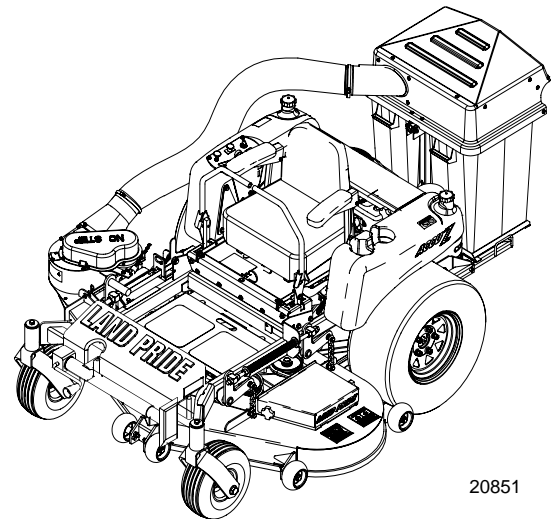
1. Discuss the matter with your dealership service manager making sure he is aware of any problems you may have and that he has had the opportunity to assist you.
2. If you are still not satisfied, seek out the owner or general manager of the dealership, explain the problem and request assistance.
3. For further assistance write to:

Land Pride Service Department
1525 East North Street
P.O. Box 5060
Salina, Ks. 67402-5060

E-mail address

Assembly Instructions

A detailed listing of parts for this accessory kit is provided beginning with page 7. Use the list as a checklist to inventory parts received. Please contact your local Land Pride dealer for any missing hardware.



20851

Assembly Instructions

1. Install double pulley (13) with the bolt (11) and existing flat washer (12) Torque bolt 65 - 75 lbs.
2. Reinstall blade drive belt on lower groove of pulley (13).
3. Assemble bracket (4) where the chute bracket was assembled using the existing hardware (2) and (3).
4. Install discharge adapter plate (21) to mower deck with two 3/8" x 3/4" hex head cap screws and flange lock nuts (22) as shown. Torque nuts to 31 ft. lbs.
5. Assemble blower pivot (5) with carriage bolt (6) and existing hardware (7), (8), (9) and (10).
6. Assemble lower blower cover (19) to blower (1) with two 3/8" x 1" hex head cap screws (20) four 3/8" flatwashers (3) and two 3/8 hex nuts (2) as shown. Torque nuts to 31 ft. lbs.
7. Install blower (1) on blower pivot (5) and swing blower around and secure to bracket with pin (14) and hair pin cotter (15).

Refer to Figure 3

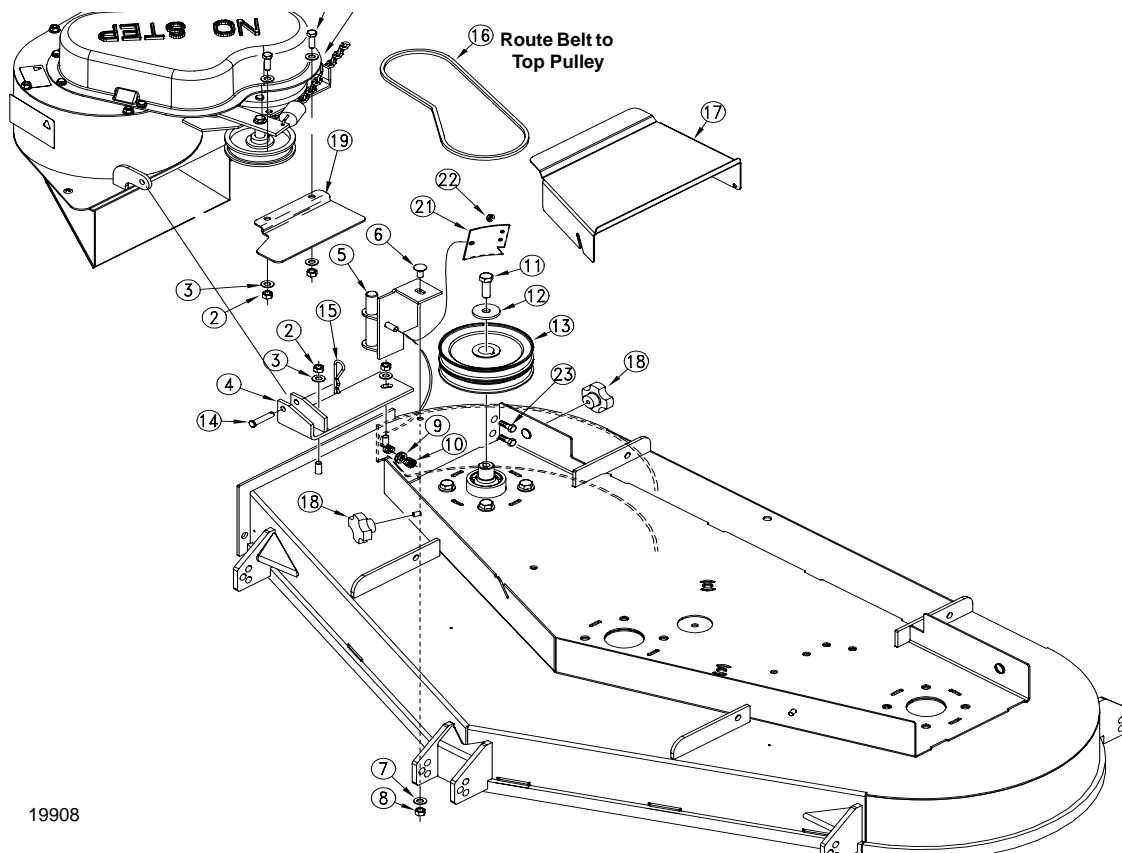
8. Install blower belt (16) to double pulley and route it as shown. (Belt must be on top pulley)



20855

Figure 3 Blower Belt

9. Assemble pulley cover (17) using existing knobs



19908

Assembly Instructions

Bagger Assembly

Refer to Figure 4

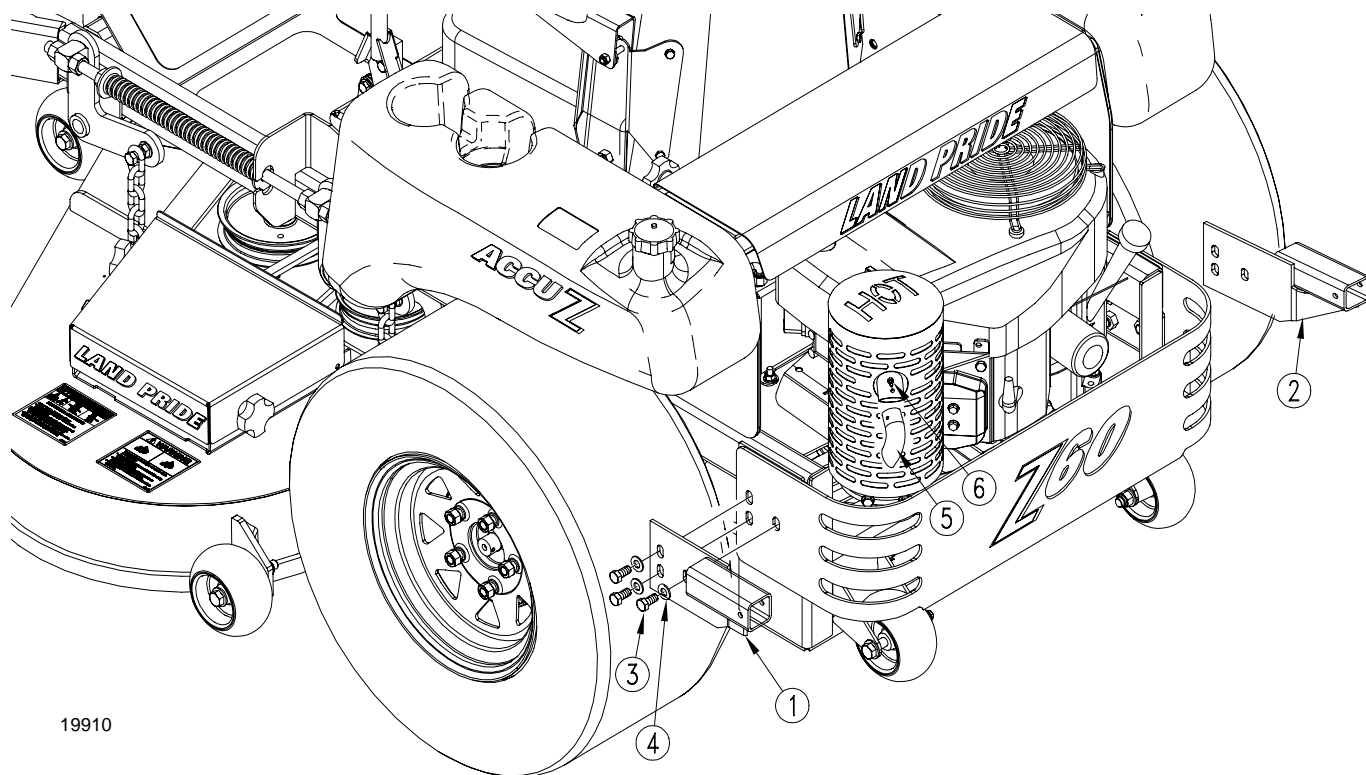
1. Remove and retain rear bumper bolts (3) and flat washers (4). Do not remove bumper.
2. Assemble left bracket (1) and right bracket (2) through the same slots using the bolts and flat washers retained from the bumper.



CAUTION

Muffler can cause burning. Muffler should be cool before proceeding. NOTE: 2 different size deflectors provided (Honda takes 1 1/4" ID)(Kawasaki takes 1 1/8" ID)

3. Position muffler deflector (5) on existing muffler exhaust so that deflector is pointing away from the plastic containers. Mark for hole through deflector (5) and drill hole for screw using a #26 (.147) drill bit.
4. Install appropriate muffler deflector to existing exhaust and fasten with screw (6) through hole in deflector and drilled hole.



19910

Figure 4
Bagger Brackets and Muffler Deflector Assembly

Assembly Instructions

Refer to Figure 5

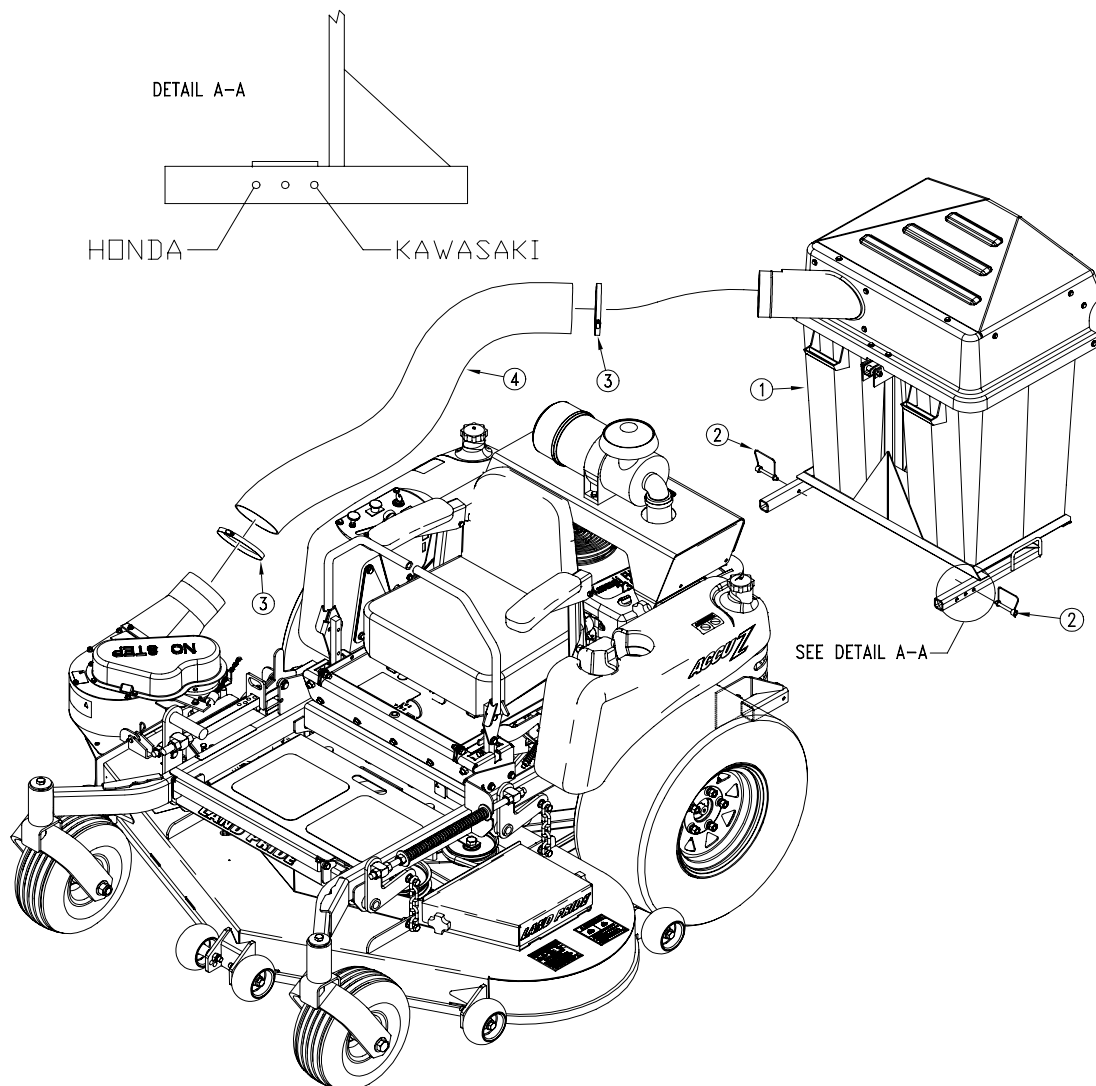
NOTE: Damage to plastic hopper will occur if to close to muffler, note location in Detail A-A below.

NOTE: The further back you place the bagger the lighter your front end of mower becomes. Additional front weight kit must be installed.

1. Install bagger (1) through brackets and secure with pins (2).
2. Assemble clamps (3) on the ends of the bagger tube (4) and slide the tube over the bagger inlet and the blower as shown and tighten clamps.

NOTE: Lubricant can be used when installing tube to bagger so the tube will slide over bagger inlet easier.

3. Reconnect the negative battery cable.



Assembly Instructions

Front Lift and Weight Assembly (For Blade Service or Replacement)

IMPORTANT: Do not use jack to work under deck.

Refer to Figure 6

1. The front weight bracket (#1) will mount to the front of the mower frame with the four u-bolts (#2) lock washers (#3) and nuts (#4) on the Z60 & Z72 mowers. The Z52 mounts with two u-bolts (#2) on the right side and one bolt (#7) and nut (#4) on the left side of frame as shown in Figure 6.
2. Fill the weight (#5) with sand and secure to weight bracket with bolts (#8), lock washers (#9) and flat washers (#10).
3. Assemble jack (#6) if kit is so equipped to the jack mount on the weight bracket.

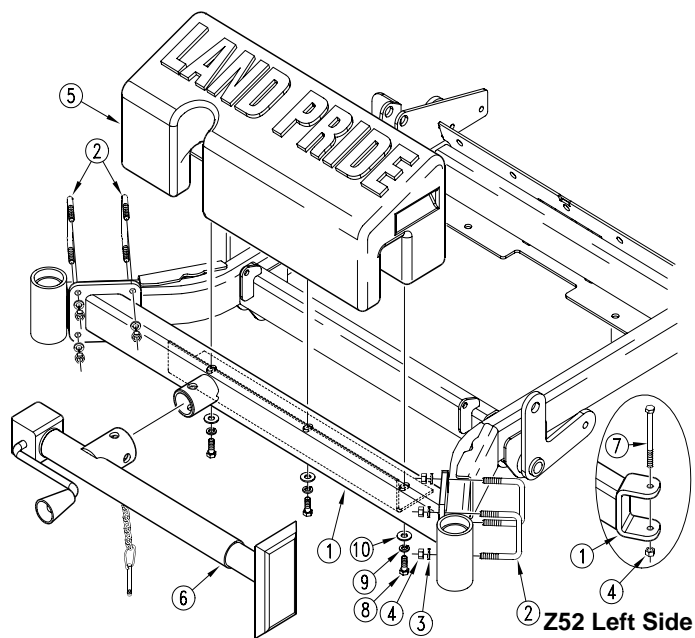


Figure 6
Front Lift and Weight Assembly

Listing of Parts

356-500A 60" Bagger Assembly

Your kit includes:

Qty.	Part No.	Part Description
1	356-501S	BAGGER HOOD SUB-ASSEMBLY
1	356-505H	BAGGER BASE WELDMENT
1	356-511L	BLOWER ASSEMBLY SD DECK
1	356-513L	BLOWER 60" DECK ADAPTION KIT
1	356-528K	Z60/72 FRNT WT PCKG (NO JACK)
1	356-537M	MANUAL-BAGGER ACCU-Z
1	356-553H	RH BAGGER MOUNT WLDMNT
1	356-554H	LH BAGGER MOUNT WLDMNT
1	357-174D	DISCHARGE ADAPTER PLATE 60 IN.
2	800-151C	CLAMP WRM DRV #96SS (4.75-6.5)
1	801-002C	SCREW HEX SLT10-16X1/2P.TH D CT
1	802-012C	HHCS 5/16-18X1 1/2 GR5
2	802-014C	HHCS 3/8-16X3/4 GR5
1	802-024C	HHCS 3/8-16X3 GR5
3	803-078C	NUT LOCK 3/8-16 NYLON INSERT
1	803-084C	NUT HEX NYLOCK 5/16-18 PLT
2	803-209C	NUT FLANGE LOCK 3/8-16 PLT
2	805-212C	PIN WIRE SNAP LOCK 3/8 X 2 1/2
2	816-378C	RUBBERMAID 30 GALLON CONTAINER
1	817-473C	Z-BAGGER TUBE 6 ID X 49 LONG
1	826-354C	KAW MFFLR DEFLECT 23HP 1 1/8ID
1	826-468C	HONDA MUFFLER DEFLECT 1 1/4ID
1	356-500A	60" BAGGER ASSEMBLY

Assembly Instructions

356-520A 52" Bagger Assembly

Your kit includes:

Qty.	Part No.	Part Description
1	356-501S	BAGGER HOOD SUB-ASSEMBLY
1	356-505H	BAGGER BASE WELDMNT
1	356-511L	BLOWER ASSEMBLY SD DECK
1	356-512L	BLOWER 52" DECK ADAPTION KIT
1	356-527K	Z52 FRONT WEIGHT PCKG (NO JACK
1	356-537M	MANUAL-BAGGER ACCU-Z
1	356-553H	RH BAGGER MOUNT WLDMNT
1	356-554H	LH BAGGER MOUNT WLDMNT
1	357-175D	DISCHARGE ADAPTER PLATE 52 IN.
2	800-151C	CLAMP WRM DRV #96SS (4.75-6.5)
1	801-002C	SCREW HEX SLT10-16X1/2P.THD CT
1	802-012C	HHCS 5/16-18X1 1/2 GR5
2	802-014C	HHCS 3/8-16X3/4 GR5
1	802-024C	HHCS 3/8-16X3 GR5
3	803-078C	NUT LOCK 3/8-16 NYLON INSERT
1	803-084C	NUT HEX NYLOCK 5/16-18 PLT
2	803-209C	NUT FLANGE LOCK 3/8-16 PLT
2	805-212C	PIN WIRE SNAP LOCK 3/8 X 2 1/2
2	816-378C	RUBBERMAID 30 GALLON CONTAINER
1	817-473C	Z-BAGGER TUBE 6 ID X 49 LONG
1	826-354C	KAW MFFLR DEFLECT 23HP 1 1/8ID
1	826-468C	HONDA MUFFLER DEFLECT 1 1/4ID
1	356-520A	52" BAGGER ASSEMBLY

Assembly Instructions

356-534A 72" Bagger Assembly

Your kit includes:

Qty.	Part No.	Part Description
1	356-501S	BAGGER HOOD SUB-ASSEMBLY
1	356-505H	BAGGER BASE WELDMNT
1	356-511L	BLOWER ASSEMBLY SD DECK
1	356-528K	Z60/72 FRNT WT PCKG (NO JACK)
1	356-535L	BLOWER 72" DECK ADAPTION KIT
1	356-537M	MANUAL-BAGGER ACCU-Z
1	356-553H	RH BAGGER MOUNT WLDMNT
1	356-554H	LH BAGGER MOUNT WLDMNT
1	357-173D	DISCHARGE ADAPTER PLATE 72 IN.
2	800-151C	CLAMP WRM DRV #96SS (4.75-6.5)
1	801-002C	SCREW HEX SLT10-16X1/2P.TH D CT
1	802-012C	HHCS 5/16-18X1 1/2 GR5
2	802-014C	HHCS 3/8-16X3/4 GR5
1	802-024C	HHCS 3/8-16X3 GR5
3	803-078C	NUT LOCK 3/8-16 NYLON INSERT
1	803-084C	NUT HEX NYLOCK 5/16-18 PLT
2	803-209C	NUT FLANGE LOCK 3/8-16 PLT
2	805-212C	PIN WIRE SNAP LOCK 3/8 X 2 1/2
2	816-378C	RUBBERMAID 30 GALLON CONTAINER
1	817-473C	Z-BAGGER TUBE 6 ID X 49 LONG
1	826-354C	KAW MFFLR DEFLECT 23HP 1 1/8ID
1	826-468C	HONDA MUFFLER DEFLECT 1 1/4ID
1	356-534A	72" BAGGER ASSEMBLY



Corporate Office: P.O. Box 5060
Salina, Kansas 67402-5060 USA
www.landpride.com
