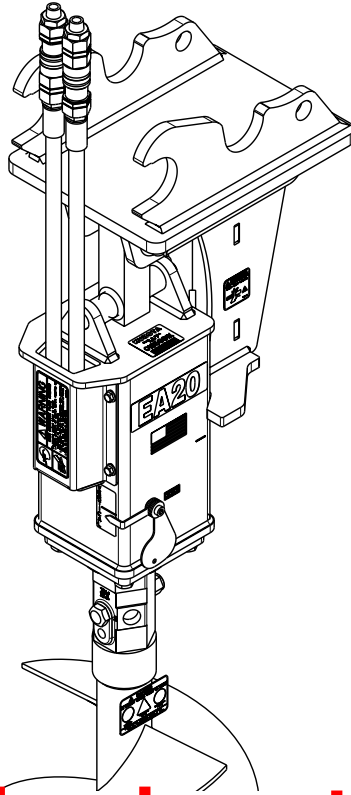
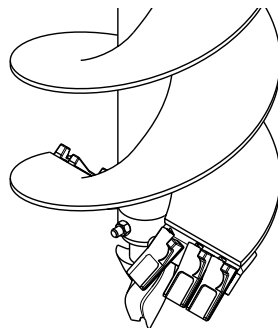


# Excavator Post Hole Digger

AP-EA20



**This Publication is not Yet Available  
Please Check Back Soon**



70172

**317-252MK  
Operator's Manual**

**Kubota®**



Read the Operator's Manual entirely. When you see this symbol, the subsequent instructions and warnings are serious - follow without exception. Your life and the lives of others depend on it!

**Cover photo may show optional equipment not supplied with standard unit.**

**For an Operator's Manual and Decal Kit in French Language, please see your Kubota dealer.**