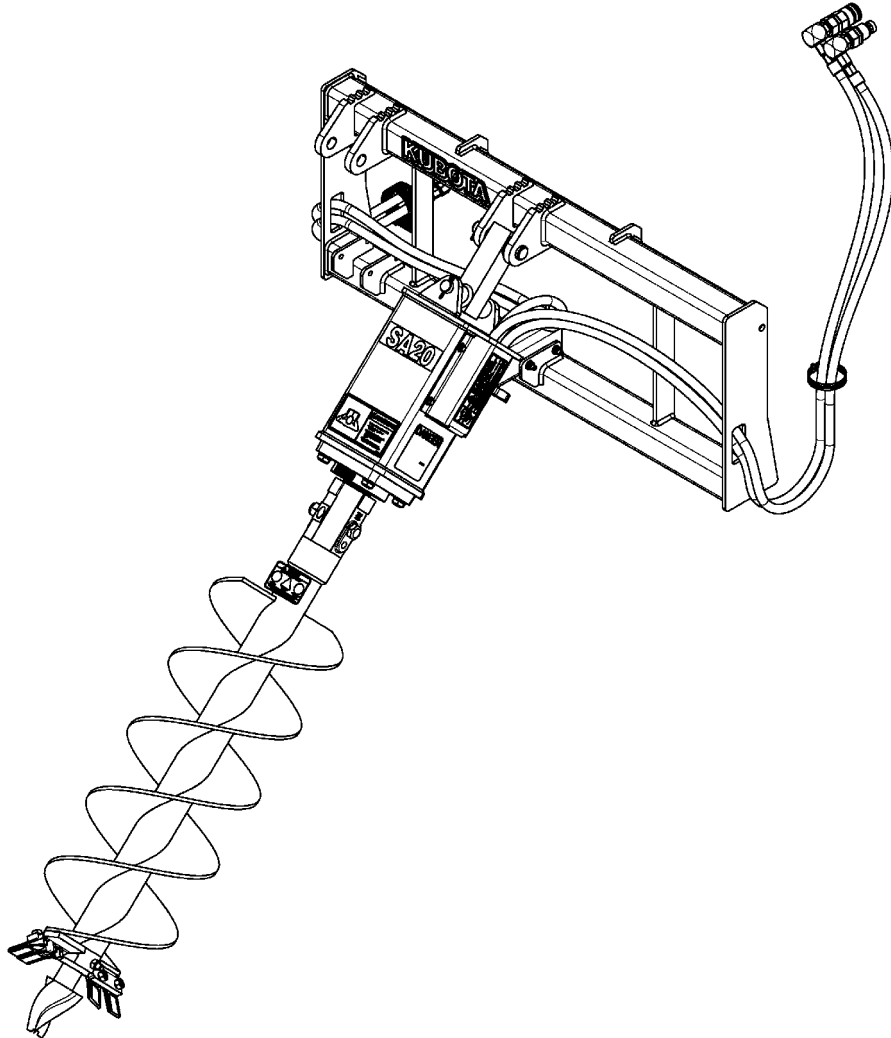


Post Hole Digger

AP-SA20



37692

Kubota®

317-215PK
Parts Manual



Read the Operator's Manual entirely. When you see this symbol, the subsequent instructions and warnings are serious - follow without exception. Your life and the lives of others depend on it!

© Copyright 2017 Printed 04/18/17

Cover photo may show optional equipment not supplied with standard unit.



Table of Contents

Section 1: Introduction.....	4
Using This Manual.....	4
Manual Replacement Information.....	4
Manual Revisions.....	4
Touch-up Paint.....	4
Hardware Legend.....	5
Replacement Hardware.....	5
Serial Numbers.....	5
Part Number Service Coding.....	5
Section 2: Frames.....	6
Hitch & Gearbox Rest.....	6
Motor & Gearbox.....	8
Section 3: Motor & Gearbox Components.....	10
Gearbox (826-805C).....	10
Hydraulic Motor (850-252C) White.....	12
Hydraulic Motor (850-256C) White.....	14
Hydraulic Motor Option 42 Medium Flow (850-059C).....	16
Hydraulic Motor Option 43 High Flow (810-531C).....	18
Section 4: Hydro Hoses & Coupler Options.....	20
Hoses & Couplers.....	20
Section 5: Options & Accessories.....	22
Augers & Extensions.....	22
Section 6: Label Placement & Touch-up Paint.....	24
Kubota Touch-up Paints.....	24
Label Placement.....	26
Part Number Index.....	28

© Copyright 2017. All rights reserved.

Kubota provides this publication “as is” without warranty of any kind, either expressed or implied. While every precaution has been taken in the preparation of this manual, Kubota assumes no responsibility for errors or omissions. Neither is any liability assumed for damages resulting from the use of the information contained herein. Kubota reserves the right to revise and improve its products as it sees fit. This publication describes the state of this product at the time of its publication, and may not reflect the product in the future. The illustrations in this manual are not intended for safe and proper assembly or disassembly of equipment. The illustrations are intended for ordering parts only.

Kubota is registered trademark.

All other brands and product names are trademarks or registered trademarks of their respective holders.

Printed in the United States of America.



Alphabetized Table of Contents

A	
Augers & Extensions.....	22
G	
Gearbox (826-805C).....	10
H	
Hitch & Gearbox Rest.....	6
Hoses & Couplers.....	20
Hydraulic Motor (850-252C) White.....	12
Hydraulic Motor (850-256C) White.....	14
Hydraulic Motor Option 42 Medium Flow (850-059C)...	16
Hydraulic Motor Option 43 High Flow (810-531C).....	18
K	
Kubota Touch-up Paints.....	24
L	
Label Placement.....	26
M	
Motor & Gearbox.....	8

General Information

Using This Manual

This manual is divided into sections. The first section contains General Information. The remaining sections divide the machine into segments (i.e. Frames, Drives, Hydraulics, etc.) which illustrate and list all parts. A Parts Number Index is located at the back of the book.

The Kubota parts in this manual are specially designed for this machine and should be replaced with Kubota parts only.

The information in this manual is current at time of printing. Some parts may change to assure top performance.

Right-hand and left-hand as used in this manual are determined by facing the direction the machine will travel while in use.

Below is an example of two facing pages from a parts manual. Familiarize yourself with the type of information contained on these pages.

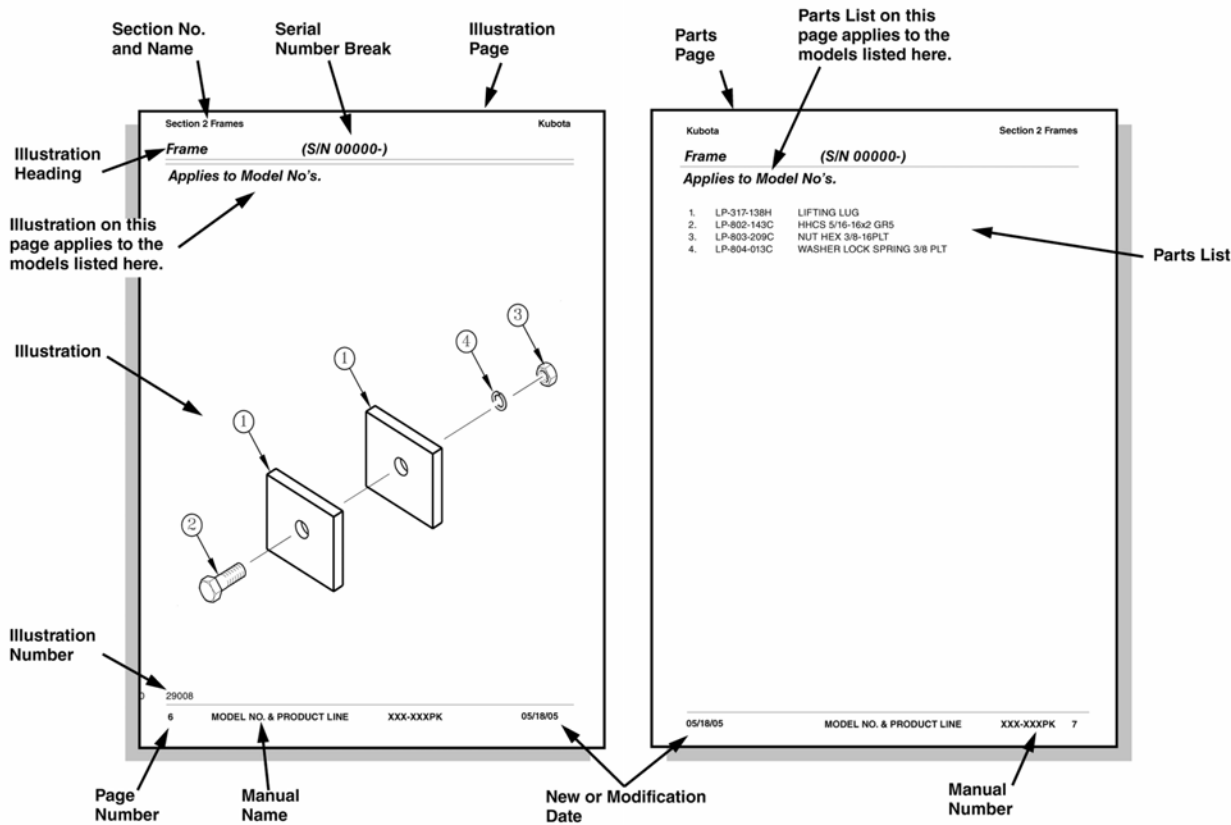
Manual Replacement Information

Replacement manuals are available. Refer to our website at www.kubota.com for additional information. Our website continues to provide the most up-to-date manuals available.

Touch-up Paint

Repaint parts where paint is worn or scratched to prevent rust. Kubota touch-up paints are available through your local Kubota dealer. Part numbers and color descriptions are listed below.

Part No.	Part Description
821-070C	GP Gloss black enamel spray can
821-070CTU	GP Gloss black enamel bottle with brush
821-070CQT	GP Gloss black enamel quart
821-070CGL	GP Gloss black enamel gallon



General Information

Hardware Legend

AR	As Required
BLADE	Blade Bolt
C	Cap Screw
CP	Cotter Pin
CPHSSS	Cup Point Hex Socket Set Screw
CPSHSS	Cup Point Square Head Set Screw
CPSQHSS	Cup Point Square Head Set Screw
CRFCHMS3	Cross Recess Flat Countersunk Head Machine Screw
CRPHMS	Cross Recess Pan Head Machine Screw
CRPHTFS	Cross Recess Pan Head Thread Forming
CRRHMS	Cross Recess Round Head Machine Screw
CRTHMS	Cross Recess Truss Head Machine Screw
CSNB	Countersunk Square Neck Bolt
FHMS	Flat Head Machine Screw
FTC	Full Thread Cap Screw
H	Hex Nut
HCLN	Hex Center Lock Nut
HFLCS	Hex Flange Lock Cap Screw
HFS	Hex Flange Screw
HFSLN	Hex Flange Serrated Lock Nut
HFSS	Hex Flange Serrated Screw
HHCS	Hex Head Cap Screw or Metric Bolt
HSBHCS	Hex Socket Button Head Cap Screw
HSFCHCS	Hex Socket Flat Countersunk Head Cap Screw
HSHCS	Hex Socket Head Cap Screw
HSSS	Hex Socket Head Screw
HTLN	Hex Top Lock Nut
HWHCS	Hex Washer Head Cap Screw

HWHMS	Hex Washer Head Machine Screw
HXBHCS	Hex Socket Button Head Cap Screw
J	Hex Jam Nut
JIC	37 Degree Tapered Thread
L	Helical Spring Lock Washer
LUG	Lug Bolt
NFC	National Fine Cap Screw
NPSM	National Pipe Straight Mechanical
NPTF	National Pipe Taper Fuel
P	Wide Plain Washer
PHMS	Pan Head Machine Screw
PLOW	Plow Bolt
RHMS	Round Head Machine Screw
RHSNB	Round Head Square Neck Bolt
SCREW LEVELING	Leveling Screw
SCREW THUMB	Thumb Screw
SCREW WELD	Weld Screw
SFCHMS	Slotted Flat Countersunk Head Machine Screw
SFHMS	Slotted Fillister Head Machine Screw
SP	Special
SP SCREW	Special Screw
SQHSS	Square Head Set Screw
SRHMS	Slotted Round Head Machine Screw
SSS	Socket Set Screw
STCS	Self Tapping Cap Screw
STHMS	Slotted Truss Head Machine Screw
WHEEL	Wheel Studs and Hub Long Bolts
WING	Wing Bolt

Replacement Hardware

The **Hardware Legend** above lists hardware abbreviations used in the parts list. All bolts and nuts are Grade 5 unless otherwise noted. The use of improper grades of hardware can result in personal injury, damage to equipment, or loss of property.

Part Number Service Coding

Within the parts list some part numbers are coded for revisions and interchangeability. See notations in revision column.

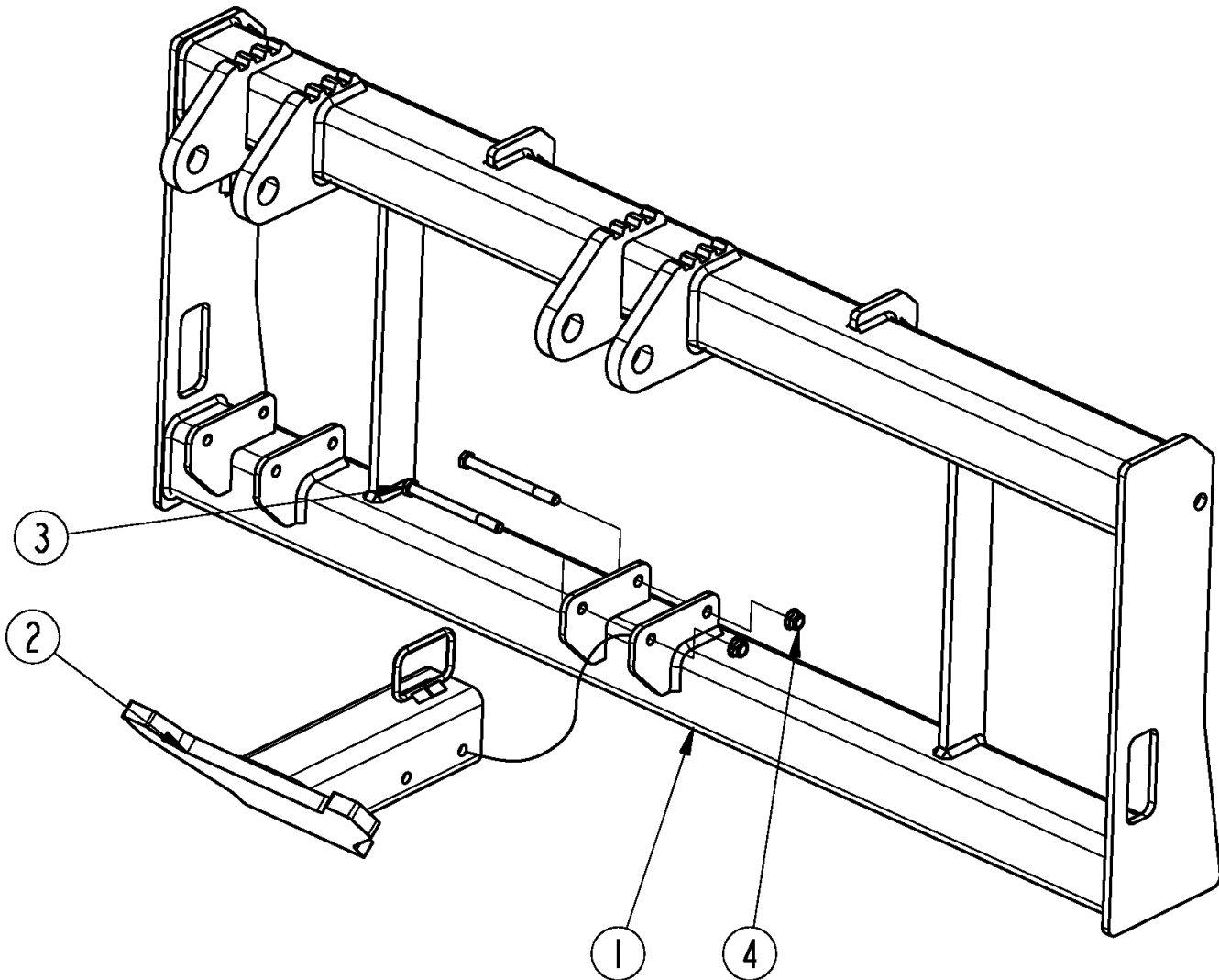
Serial Numbers

Always use the serial and model number when ordering parts. Refer to the Operator's Manual for serial number plate location.

- (S/N 20001+) Includes serial numbers 20001 and above (to the latest number)
- (S/N 10001 to 20000) Includes serial numbers between and including 10001 and 20000
- (S/N 10000-) Includes serial numbers 10000 and below (to the earliest number)

Hitch & Gearbox Rest

Applies to AP-SA20



37307

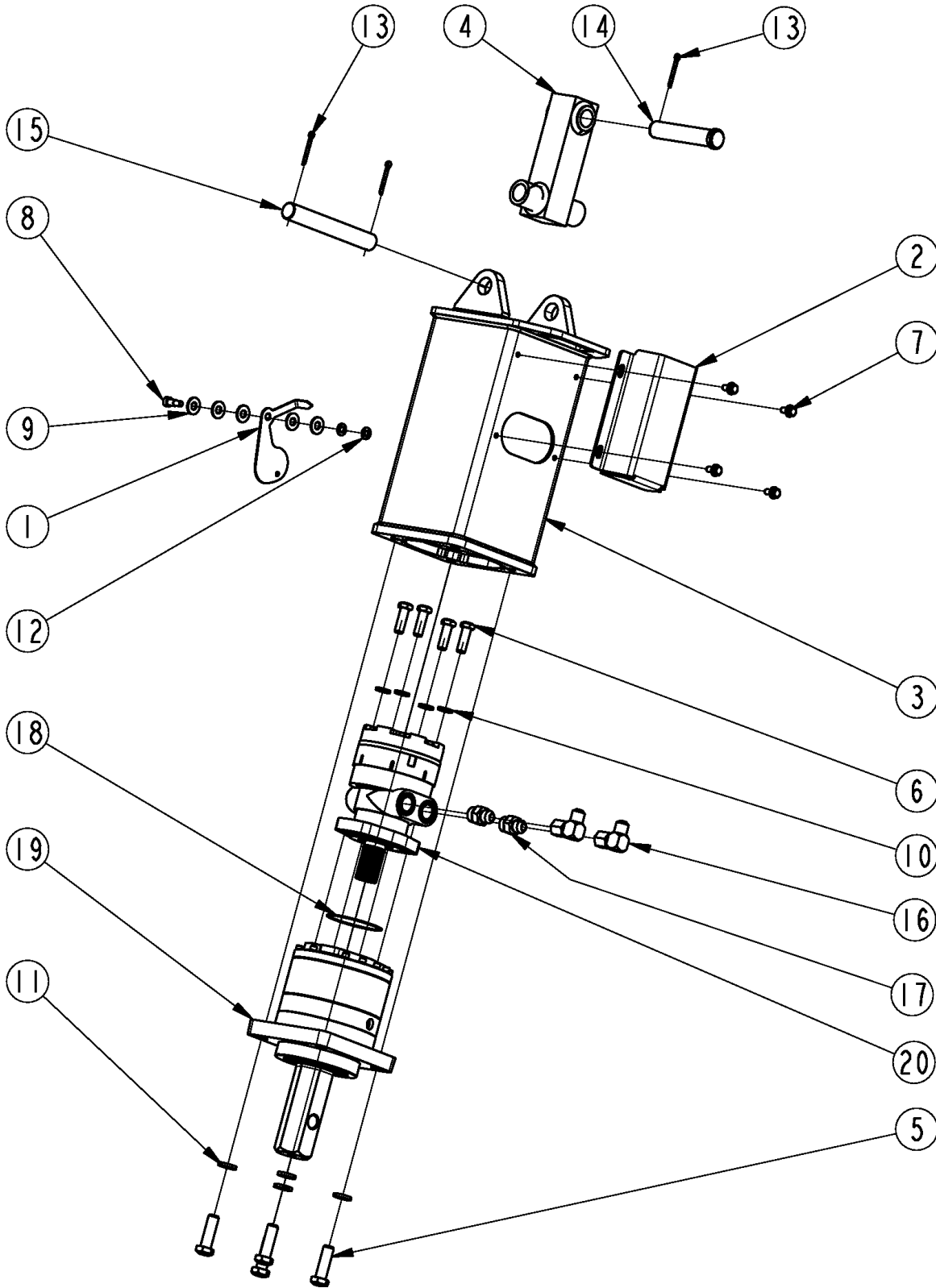
Hitch & Gearbox Rest

Applies to AP-SA20

Ref	Part No.	Part Description	Comments	Revision
	Dwg 37307	Drawing Image Number		
1.	317-201H	WMT, QA FRAME HD25/35		
2.	317-212H	WMT, GBOX REST		
3.	802-750C	HHCS 3/8-16X4 1/4 GR5		
4.	803-209C	NUT FLANGE LOCK 3/8-16 PLT		

Motor & Gearbox

Applies to AP-SA20



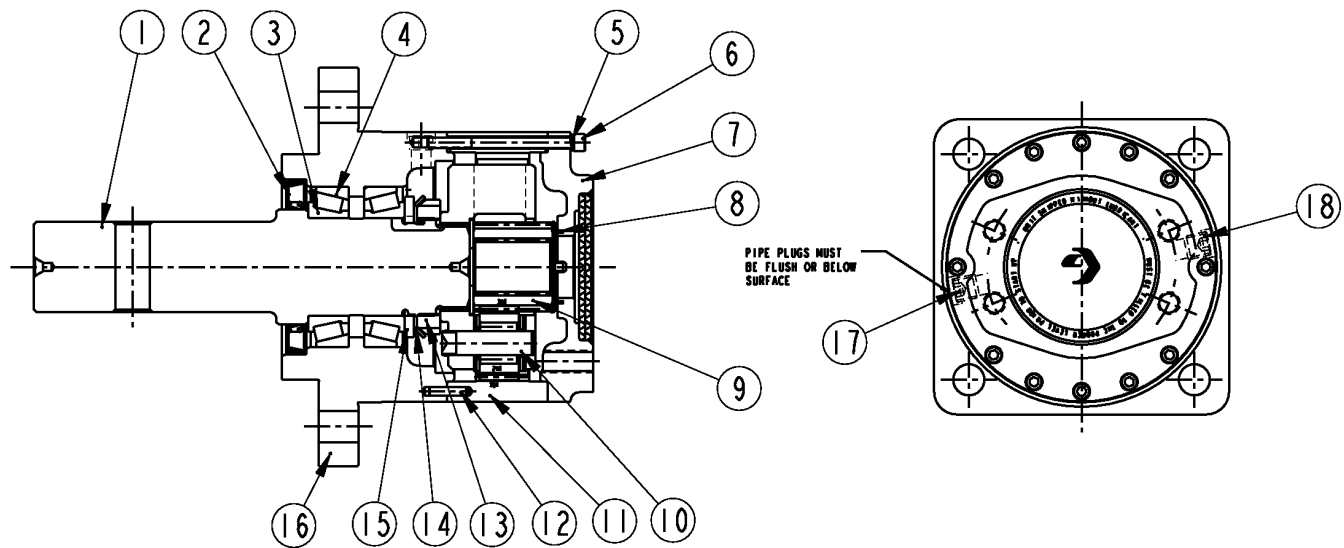
37308

Motor & Gearbox**Applies to AP-SA20**

Ref	Part No.	Part Description	Comments	Revision
	Dwg 37308	Drawing Image Number		
1.	317-164D	VERTICAL INDICATOR		
2.	317-165D	COVER, HYD HOSE		
3.	317-208H	WMT, MOTOR/GBOX HOUSING		
4.	317-218H	WMT, KNUCKLE		
5.	802-055C	HHCS 5/8-11X2 GR5		
6.	802-091C	HHCS 1/2-13X1 1/2 GR5		
7.	802-488C	HFSS 5/16-18X5/8 GR5		
8.	802-794C	SHOULDER BOLT 3/8X1/2X5/16-18		
9.	804-011C	WASHER FLAT 3/8 USS PLT		
10.	804-015C	WASHER LOCK SPRING 1/2 PLT		
11.	804-022C	WASHER LOCK SPRING 5/8 PLT		
12.	804-036C	WASHER FLAT 5/16 SAE PLT		
13.	805-104C	PIN COTTER 3/16 X 1 1/2 PLT		
14.	805-131C	PIN CLVS 1.0X4.69 USBL		
15.	805-531C	PIN, 1.0X 6.68 USABLE		
16.	811-150C	EL 3/4FJIC 3/4MJIC		
17.	811-192C	AD 3/4MJIC 7/8MORB		
18.	816-836C	O-RING 3 1/4ID X 3 3/8OD		
19.	826-805C	GBOX 3.60:1 14T PLNTRY 2 HEX		
20.	850-256C	HYD MTR 12 CU IN DSP W/14T SPL	S/N _____+	
20.	850-059C	HYD MTR 12 CU IN DSP W/14T SPL	S/N _____-	
20.	850-252C	HYD MTR 18 CU IN DSP W/14T SPL	S/N 1017582K+	
20.	810-531C	HYD MTR 18 CU IN DSP W/14T SPL	S/N 1017581K-	

Gearbox (826-805C)

Applies to AP-SA20



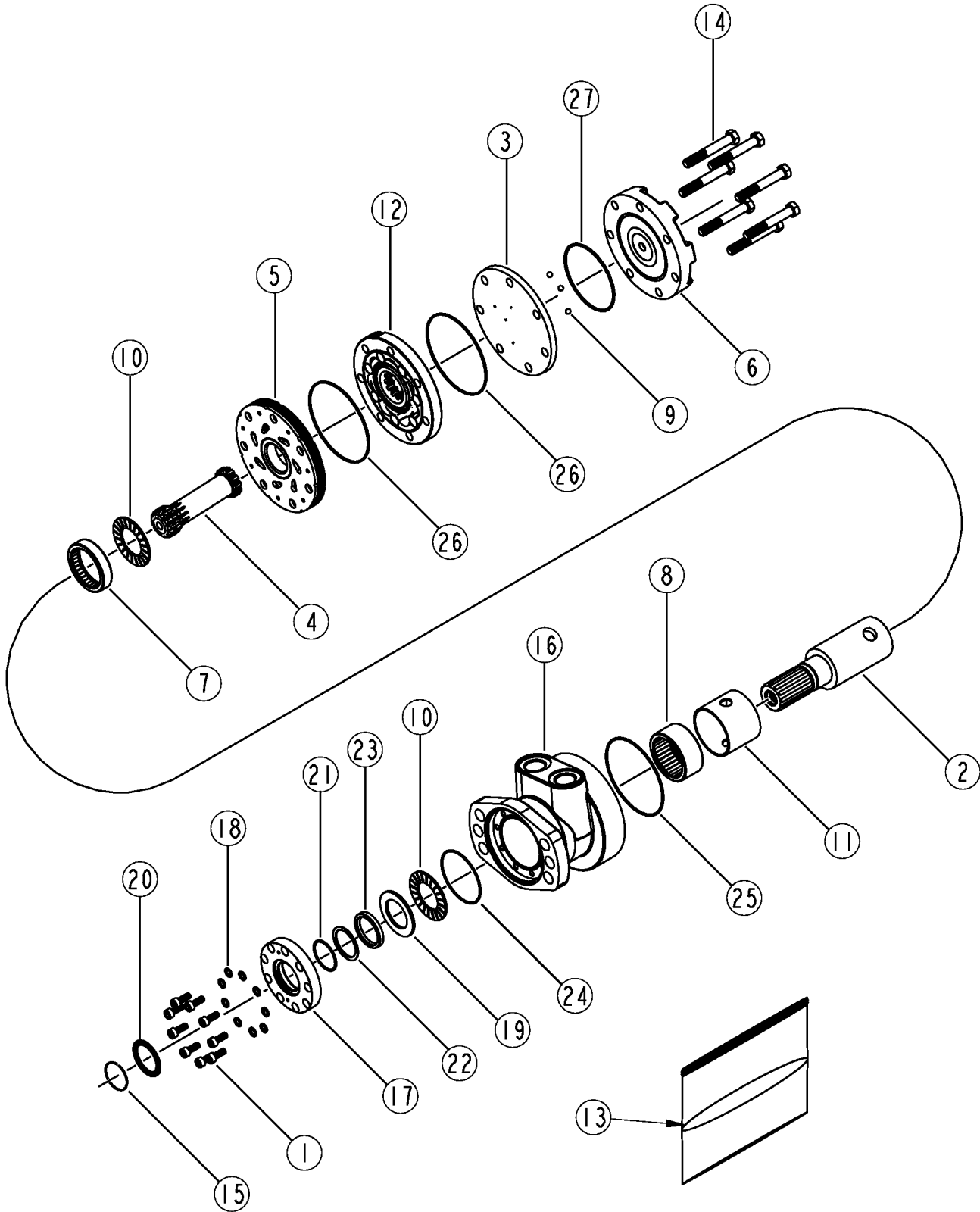
37313

Gearbox (826-805C)**Applies to AP-SA20**

Ref	Part No.	Part Description	Comments	Revision
	Dwg 37313	Drawing Image Number		
	826-805C	GBOX 3.60:1 14T PLNTRY 2 HEX		
1.	6171215	AG SHAFT-OUTPUT		
2.	604446	AG SEAL-OIL		
3.	613368	AG BEARING-CONE		
4.	613367	AG BEARING-CUP		
5.	619352	AG WASHER-LOCK		
6.	618394	AG SCREW-SKT HD CAP		
7.	6039124	AG COVER		
8.	14-00-193-003	AG WASHER-THRUST		
9.	6165304	AG GEAR-SUN		
10.	6659269	AG ASSY-SEC CARRIER		
11.	616288	AG GEAR-RING		
12.	613104	AG BEARING-NEEDLE ROLLER		
13.	614923	AG NUT-LOCK		
14.	605008	AG WASHER-LOCK		
15.	619351	AG WASHER-THRUST		
16.	6179224	AG HUB		
17.	605204	AG PLUG-PIPE		
18.	605205	AG PLUG-PIPE		

Hydraulic Motor (850-252C) White

Applies to AP-SA20



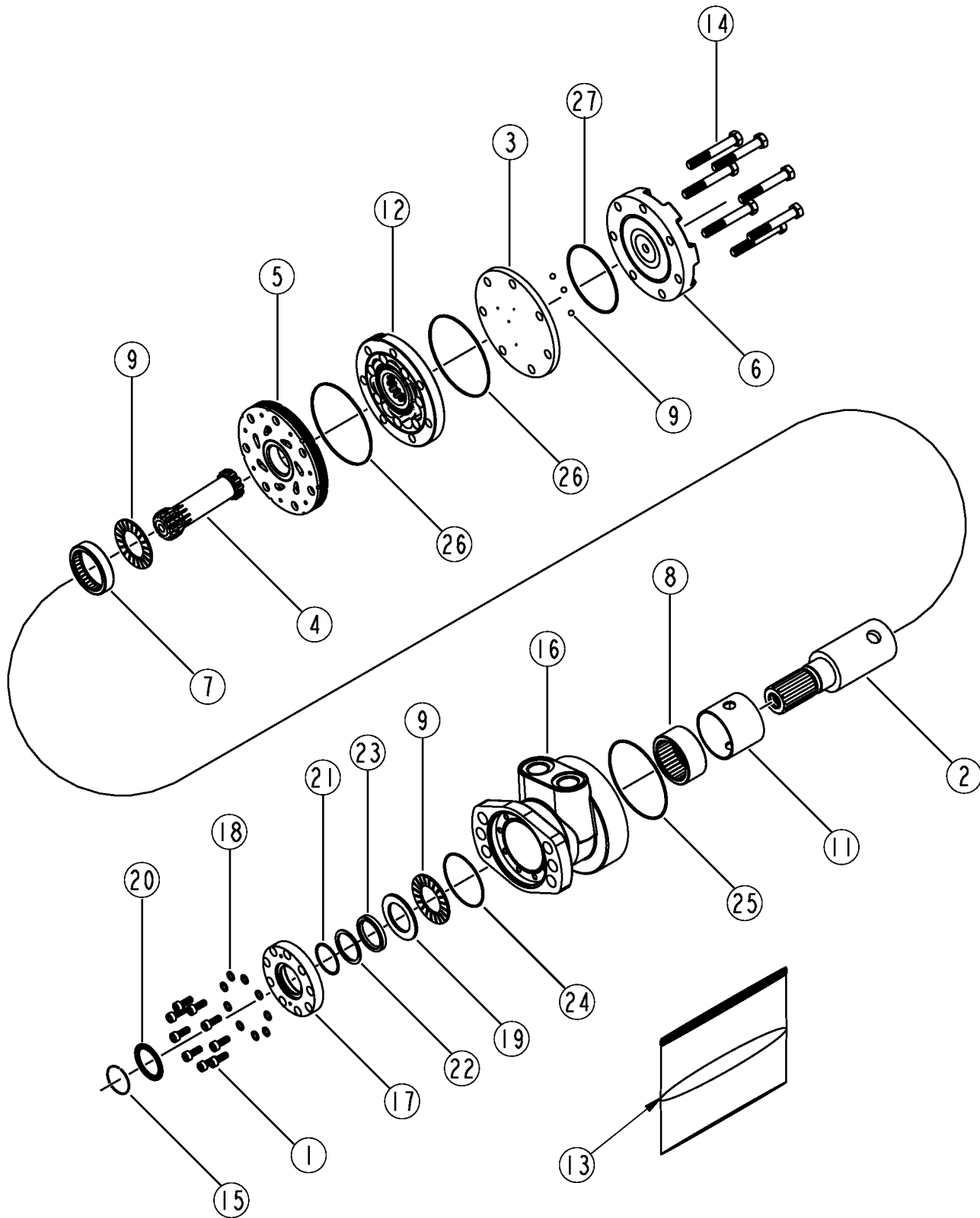
39919

Hydraulic Motor (850-252C) White**Applies to AP-SA20**

Ref	Part No.	Part Description	Comments	Revision
	Dwg 39919 850-252C	Image No. HYD MTR 18 CU IN DSP W/14T SPL *		
1.	157018110	WH SEAL CARRIER BOLT (9)		
2.	500011101	WH SHAFT		
3.	500012001	WH BALANCE PLATE		
4.	500014007	WH DRIVE LINK		
5.	500015006	WH FORWARD MANIFOLD		
6.	500016001	WH ENDCOVER		
7.	500018002	WH REAR HOUSING BRG		
8.	500018003	WH FRONT HOUSING BRG		
9.	500018048	WH STEEL BALLS (3)		
10.	500018059	WH REAR THRUST BRG		
11.	500018305	WH BEARING SPACER		
12.	500247005	WH ROTOR SET		
13.	500444506	WHITE SEAL KIT		
14.	500445018	WH BOLTS (7)		
15.	500449201	WH WIRE RING		
16.	505013614	WHITE HOUSING		
17.	505017001	WH SEAL CARRIER		
18.	530018100	WH SEAL CARRIER BOLT WASHER(9)		
19.	530018102	WHITE THRUST WASHER		
20.	N/A	WH DUST SEAL	Available only in Seal Kit Item #13	
21.	N/A	BACKUP SHIM	Available only in Seal Kit Item #13	
22.	N/A	BACKUP SEAL	Available only in Seal Kit Item #13	
23.	N/A	SHAFT SEAL	Available only in Seal Kit Item #13	
24.	N/A	SEAL CARRIER SEAL	Available only in Seal Kit Item #13	
25.	N/A	HOUSING SEAL	Available only in Seal Kit Item #13	
26.	N/A	BODY SEAL	Available only in Seal Kit Item #13	
27.	N/A	ENDCOVER SEAL	Available only in Seal Kit Item #13	

Hydraulic Motor (850-256C) White

Applies to AP-SA20



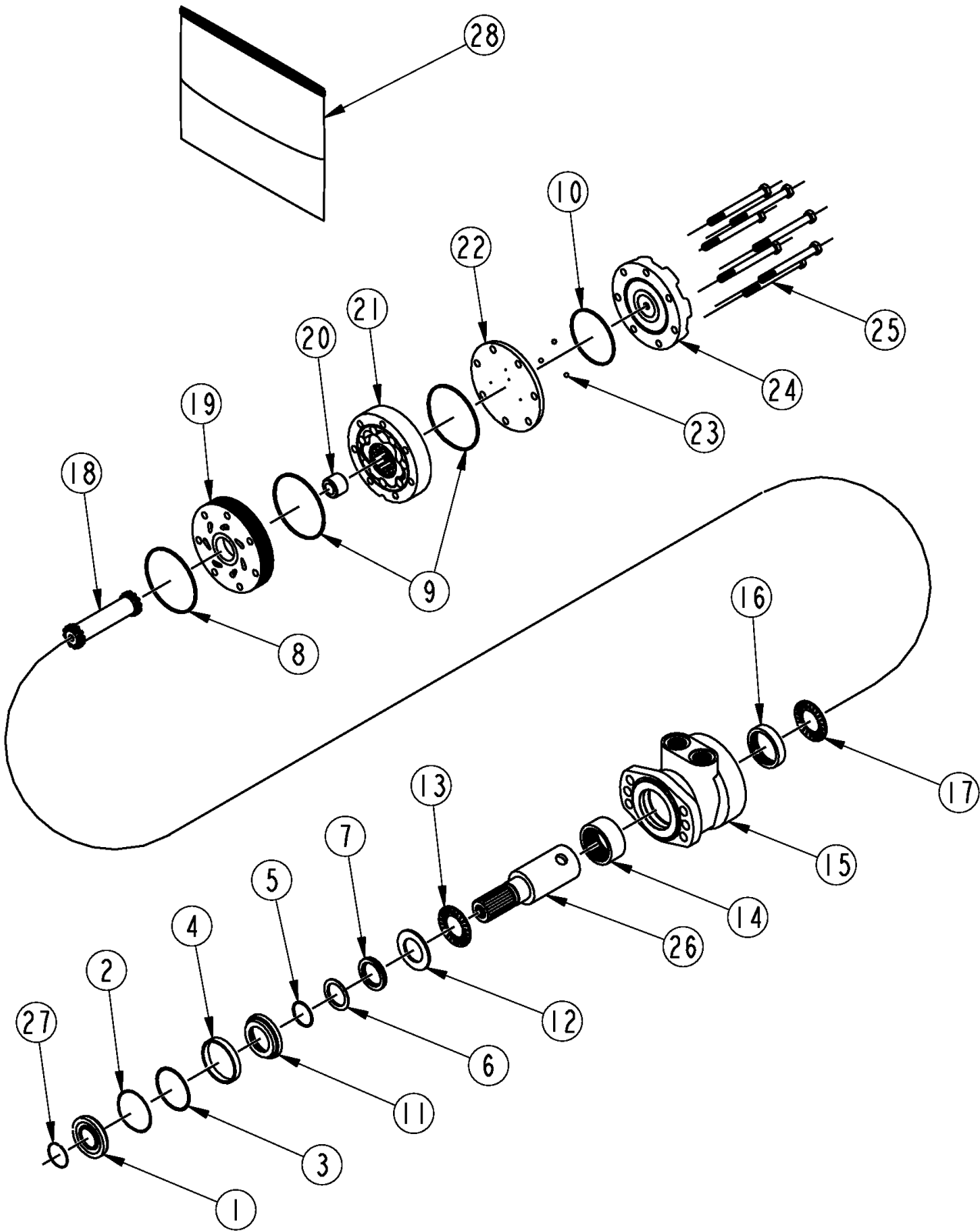
39923

Hydraulic Motor (850-256C) White**Applies to AP-SA20**

Ref	Part No.	Part Description	Comments	Revision
	Dwg 39923 850-256C	Image No. HYD MTR 12 CU IN DSP W/14T SPL *		
1.	157018110	WH SEAL CARRIER BOLT (9)		
2.	500011101	WH SHAFT		
3.	500012001	WH BALANCE PLATE		
4.	500014040	WHITE DRIVE LINK		
5.	500015006	WH FORWARD MANIFOLD		
6.	500016001	WH ENDCOVER		
7.	500018002	WH REAR HOUSING BRG		
8.	500018003	WH FRONT HOUSING BRG		
9.	500018048	WH STEEL BALLS (3)		
10.	500018059	WH REAR THRUST BRG		
11.	500018305	WH BEARING SPACER		
12.	500167011	WH ROTOR SET		
13.	500444506	WHITE SEAL KIT		
14.	500445012	WH BOLTS (7)		
15.	500449201	WH WIRE RING		
16.	505013614	WHITE HOUSING		
17.	505017001	WH SEAL CARRIER		
18.	530018100	WH SEAL CARRIER BOLT WASHER(9)		
19.	530018102	WHITE THRUST WASHER		
20.	N/A	WH DUST SEAL	Available only in Seal Kit Item #13	
21.	N/A	BACKUP SHIM	Available only in Seal Kit Item #13	
22.	N/A	BACKUP SEAL	Available only in Seal Kit Item #13	
23.	N/A	SHAFT SEAL	Available only in Seal Kit Item #13	
24.	N/A	SEAL CARRIER SEAL	Available only in Seal Kit Item #13	
25.	N/A	HOUSING SEAL	Available only in Seal Kit Item #13	
26.	N/A	BODY SEAL	Available only in Seal Kit Item #13	
27.	N/A	ENDCOVER SEAL	Available only in Seal Kit Item #13	

Hydraulic Motor Option 42 Medium Flow (850-059C)

Applies to AP-SA20



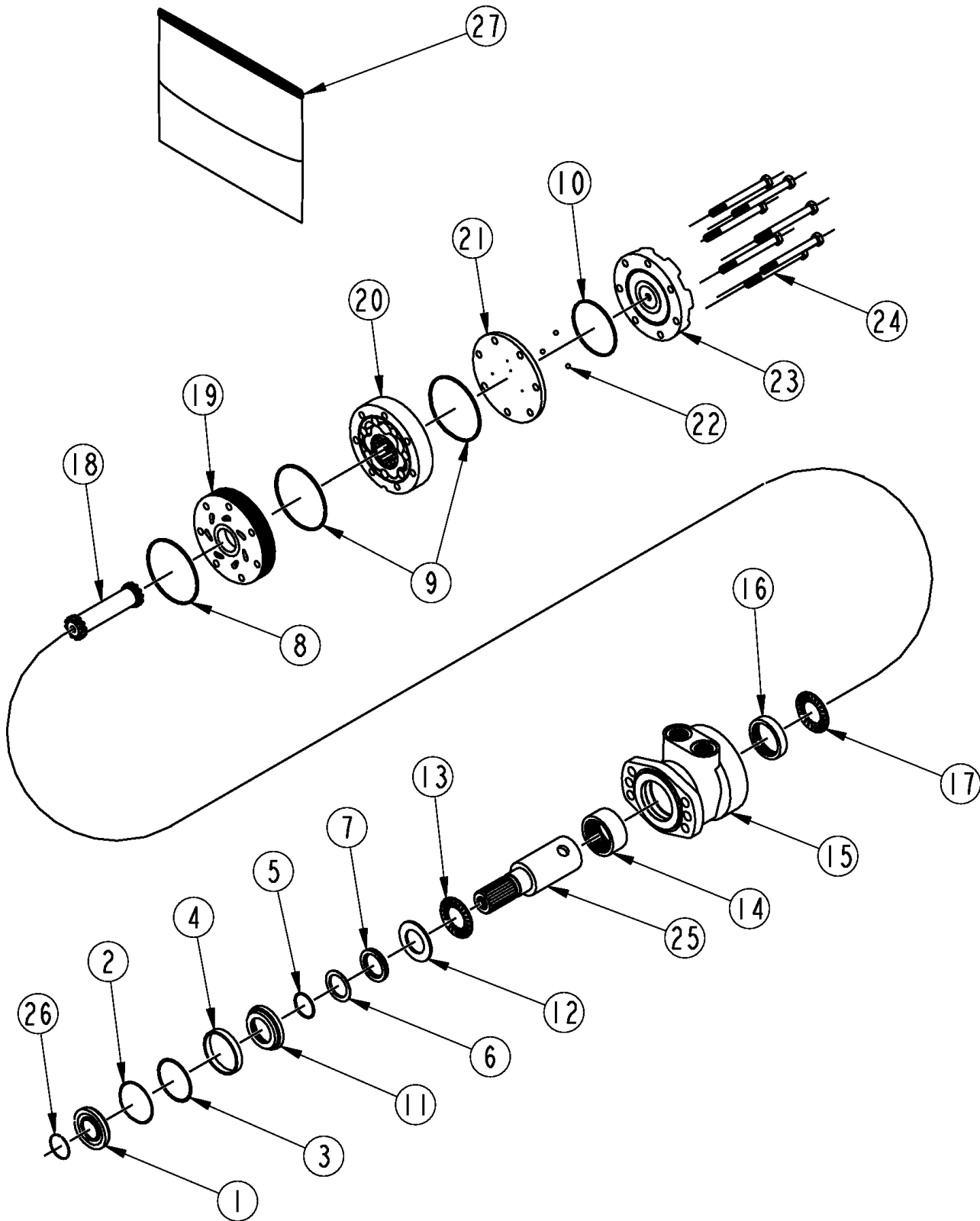
37311

Hydraulic Motor Option 42 Medium Flow (850-059C)**Applies to AP-SA20**

Ref	Part No.	Part Description	Comments	Revision
	Dwg 37311	Drawing Image Number		
	850-059C	HYD MTR 12 CU IN DSP W/14T SPL		
1.	n/a	DUST SEAL	AVAILABLE WITH SEAL KIT #28	
2.	n/a	RETAINING RING	AVAILABLE WITH SEAL KIT #28	
3.	n/a	METAL BACK UP SHIM	AVAILABLE WITH SEAL KIT #28	
4.	n/a	HOUSING SEAL	AVAILABLE WITH SEAL KIT #28	
5.	n/a	METAL BACKUP SHIM	AVAILABLE WITH SEAL KIT #28	
6.	n/a	BACKUP SEAL	AVAILABLE WITH SEAL KIT #28	
7.	n/a	HIGH PRESSURE SHAFT SEAL	AVAILABLE WITH SEAL KIT #28	
8.	n/a	REAR HOUSING SEAL	AVAILABLE WITH SEAL KIT #28	
9.	n/a	BODY SEALS	AVAILABLE WITH SEAL KIT #28	
10.	n/a	ENDCOVER SEALS	AVAILABLE WITH SEAL KIT #28	
11.	n/a	SEAL CARRIER	AVAILABLE WITH SEAL KIT #28	
12.	n/a	THRUST WASHER	AVAILABLE WITH SEAL KIT #28	
13.	500018252	WH FRONT THRUST BRG		
14.	500018003	WH FRONT HOUSING BRG		
15.	500131823	WH "A31" HOUSING		
16.	500018002	WH REAR HOUSING BRG		
17.	500018059	WH REAR THRUST BRG		
18.	500014009	WH DRIVE LINK		
19.	500015006	WH FORWARD MANIFOLD		
20.	500018075	WH SPACER		
21.	500167011	WH ROTOR SET		
22.	500012001	WH BALANCE PLATE		
23.	500018048	WH STEEL BALLS (3)		
24.	500016001	WH ENDCOVER		
25.	500445012	WH BOLTS (7)		
26.	500011101	WH SHAFT		
27.	500449201	WH WIRE RING		
28.	500444001	WH SEAL KIT		

Hydraulic Motor Option 43 High Flow (810-531C)

Applies to AP-SA20



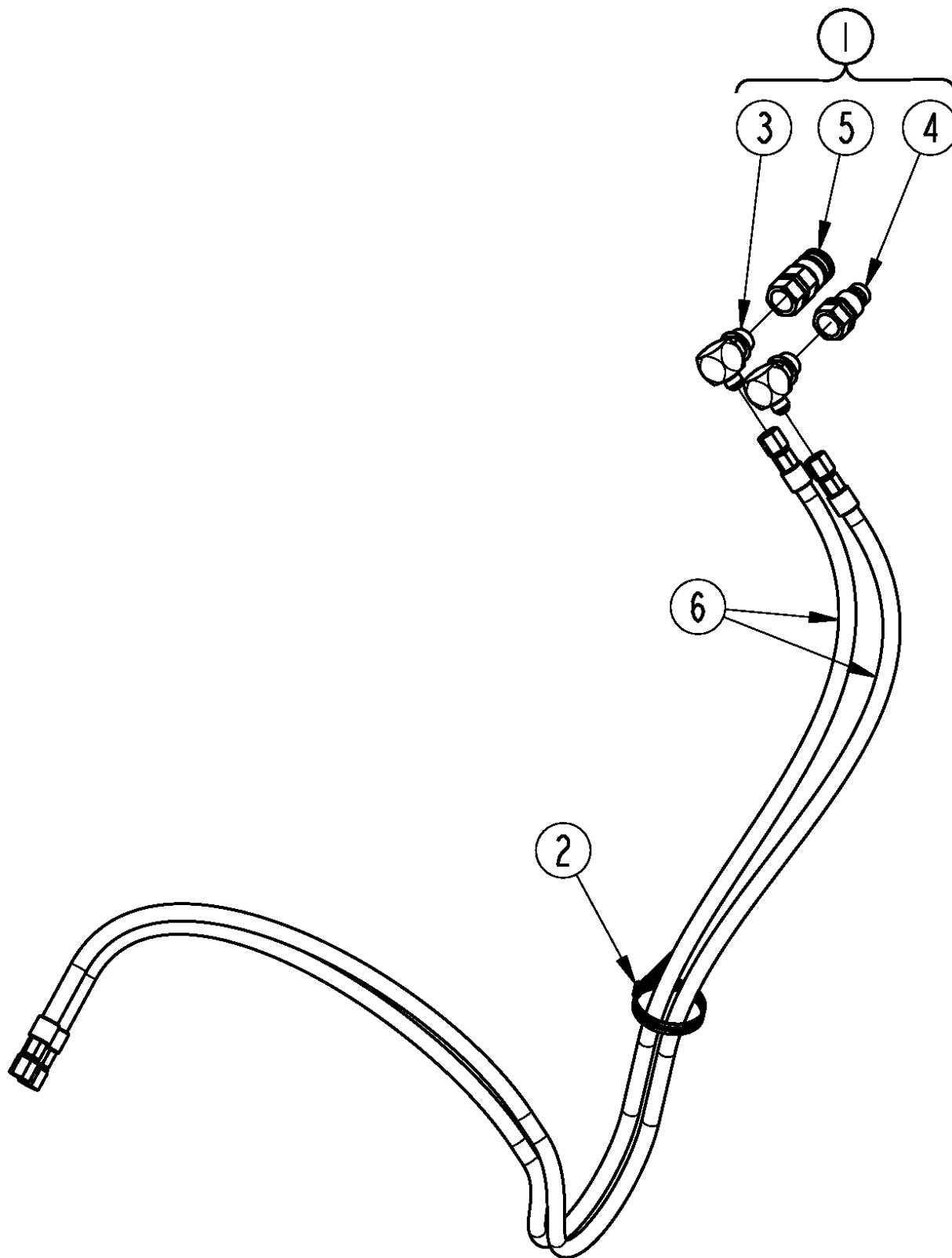
37312

Hydraulic Motor Option 43 High Flow (810-531C)**Applies to AP-SA20**

Ref	Part No.	Part Description	Comments	Revision
	Dwg 37312 810-531C	Drawing Image Number HYD MTR 18 CU IN DSP W/14T SPL *		
1.	n/a	DUST SEAL	AVAILABLE WITH SEAL KIT #27	
2.	n/a	RETAINING RING	AVAILABLE WITH SEAL KIT #27	
3.	n/a	METAL BACK UP SHIM	AVAILABLE WITH SEAL KIT #27	
4.	n/a	HOUSING SEAL	AVAILABLE WITH SEAL KIT #27	
5.	n/a	METAL BACKUP SHIM	AVAILABLE WITH SEAL KIT #27	
6.	n/a	BACKUP SEAL	AVAILABLE WITH SEAL KIT #27	
7.	n/a	HIGH PRESSURE SHAFT SEAL	AVAILABLE WITH SEAL KIT #27	
8.	n/a	REAR HOUSING SEAL	AVAILABLE WITH SEAL KIT #27	
9.	n/a	BODY SEALS	AVAILABLE WITH SEAL KIT #27	
10.	n/a	ENDCOVER SEALS	AVAILABLE WITH SEAL KIT #27	
11.	n/a	SEAL CARRIER	AVAILABLE WITH SEAL KIT #27	
12.	n/a	THRUST WASHER	AVAILABLE WITH SEAL KIT #27	
13.	500018252	WH FRONT THRUST BRG		
14.	500018003	WH FRONT HOUSING BRG		
15.	500131823	WH "A31" HOUSING		
16.	500018002	WH REAR HOUSING BRG		
17.	500018059	WH REAR THRUST BRG		
18.	500014007	WH DRIVE LINK		
19.	500015006	WH FORWARD MANIFOLD		
20.	500247005	WH ROTOR SET		
21.	500012001	WH BALANCE PLATE		
22.	500018048	WH STEEL BALLS (3)		
23.	500016001	WH ENDCOVER		
24.	500445018	WH BOLTS (7)		
25.	500011101	WH SHAFT		
26.	500449201	WH WIRE RING		
27.	500444001	WH SEAL KIT		

Hoses & Couplers

Applies to AP-SA20



37691

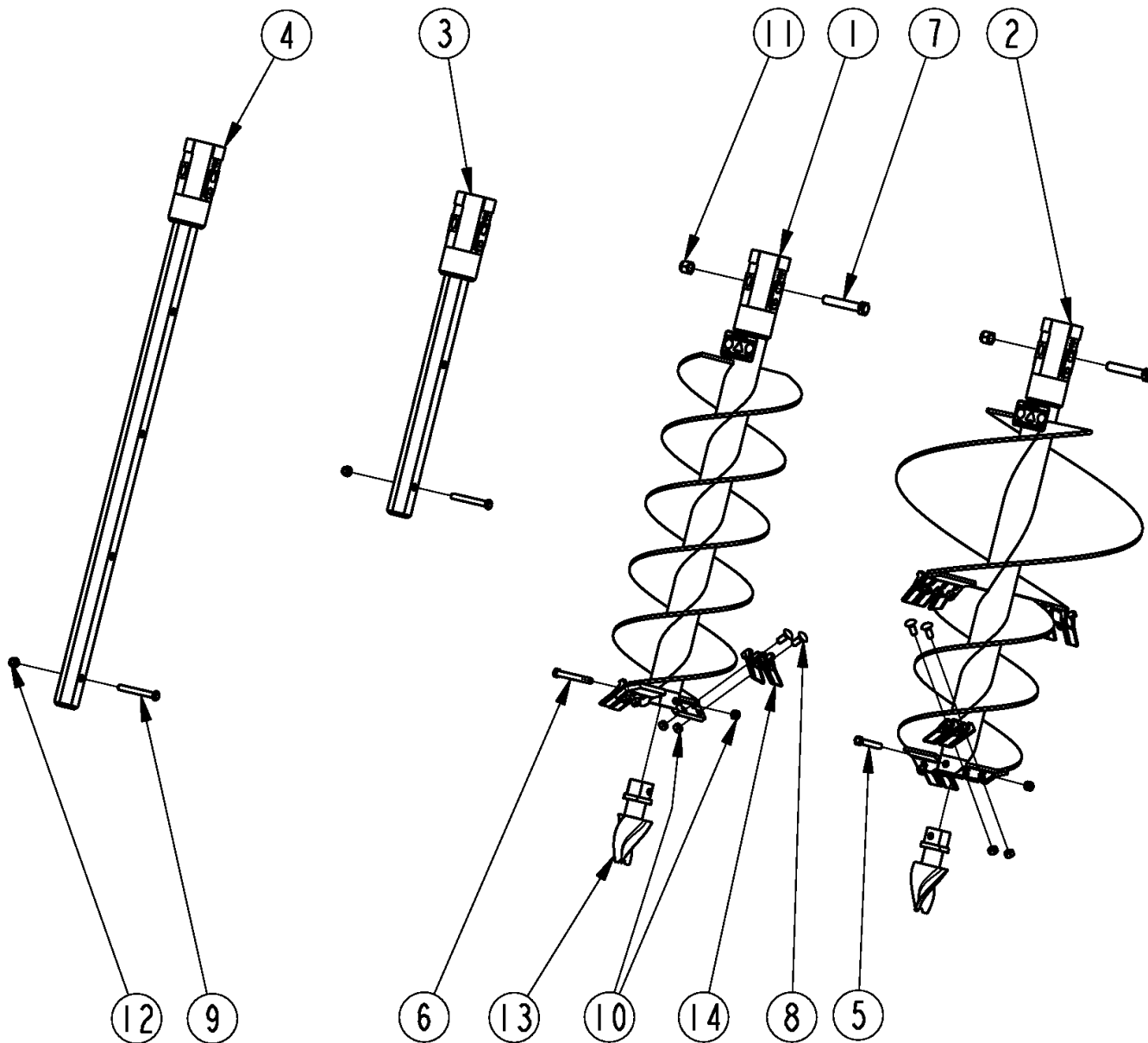
Hoses & Couplers

Applies to AP-SA20

Ref	Part No.	Part Description	Comments	Revision
	Dwg 37691	Drawing Image Number		
1.	301-505A	FLAT FACE COUPLERS		
2.	800-060C	CABLE TIE .19X14.25 3DIA 50LB		
3.	811-091C	EL 3/4MJIC 1 1/16MORB		
3.	851-947C	CUP 1 1/16FORB MALE QUICK CPLR		
4.	811-744C	RPBY 851-947C	Obsolete	
4.	851-948C	CUP 1 1/16FORB FML QUICK CPLR		
5.	811-745C	RPBY 851-948C	Obsolete	
6.	811-779C	HH1/2R2 099 3/4FJIC E-Z FLEX	8' HOSES	

Augers & Extensions

Applies to AP-SA20



37309

Augers & Extensions

Applies to AP-SA20

Ref	Part No.	Part Description	Comments	Revision
	Dwg 37309	Drawing Image Number		
1.	317-095A	SA 9X2 HEX HUB DBL AUGER ASSY		
1.	317-098A	SA 12X2 HEX HUB DBL AUGER ASSY		
1.	317-101A	SA 15X2 HEX HUB DBL AUGER ASSY		
1.	317-104A	SA 18X2 HEX HUB DBL AUGER ASSY		
1.	317-107A	SA 24X2 HEX HUB DBL AUGER ASSY		
1.	317-113A	SA 30X2 HEX HUB DBL AUG ASSY		
1.	317-119A	SA 36X2 HEX HUB DBL AUGER ASSY		
2.	317-110A	SA 24X2 HEX HUB TREE AUG ASSY		
2.	317-116A	SA 30X2 HEX HUB TREE AUG ASSY		
2.	317-122A	SA 36X2 HEX HUB TREE AUG ASSY		
3.	317-129A	SA 24X2 HEX AUGER EXTEN. ASSY		
4.	317-131A	SA 48X2 HEX AUGER EXTEN. ASSY		
5.	802-041C	HHCS 1/2-13X3 1/2 GR5		
6.	802-044C	HHCS 1/2-13X4 GR5		
7.	802-192C	HHCS 3/4-10X4 1/2 GR5		
8.	802-214C	RHSNB 1/2-13X1 1/4 GR5		
9.	802-311C	HHCS 1/2-13X4 1/4 GR5		
10.	803-019C	NUT LOCK 1/2-13 PLT		
11.	803-025C	NUT HEX 3/4-10 PLT NYLOCK		
12.	803-147C	NUT HEX NYLOCK 1/2-13		
13.	820-232C	PENGO TRI-FLOW PILOT BIT		
14.	820-233C	PENGO AUGER TOOTH		

Kubota Touch-up Paints

Applies to AP-SA20

No diagram associated with this Parts List

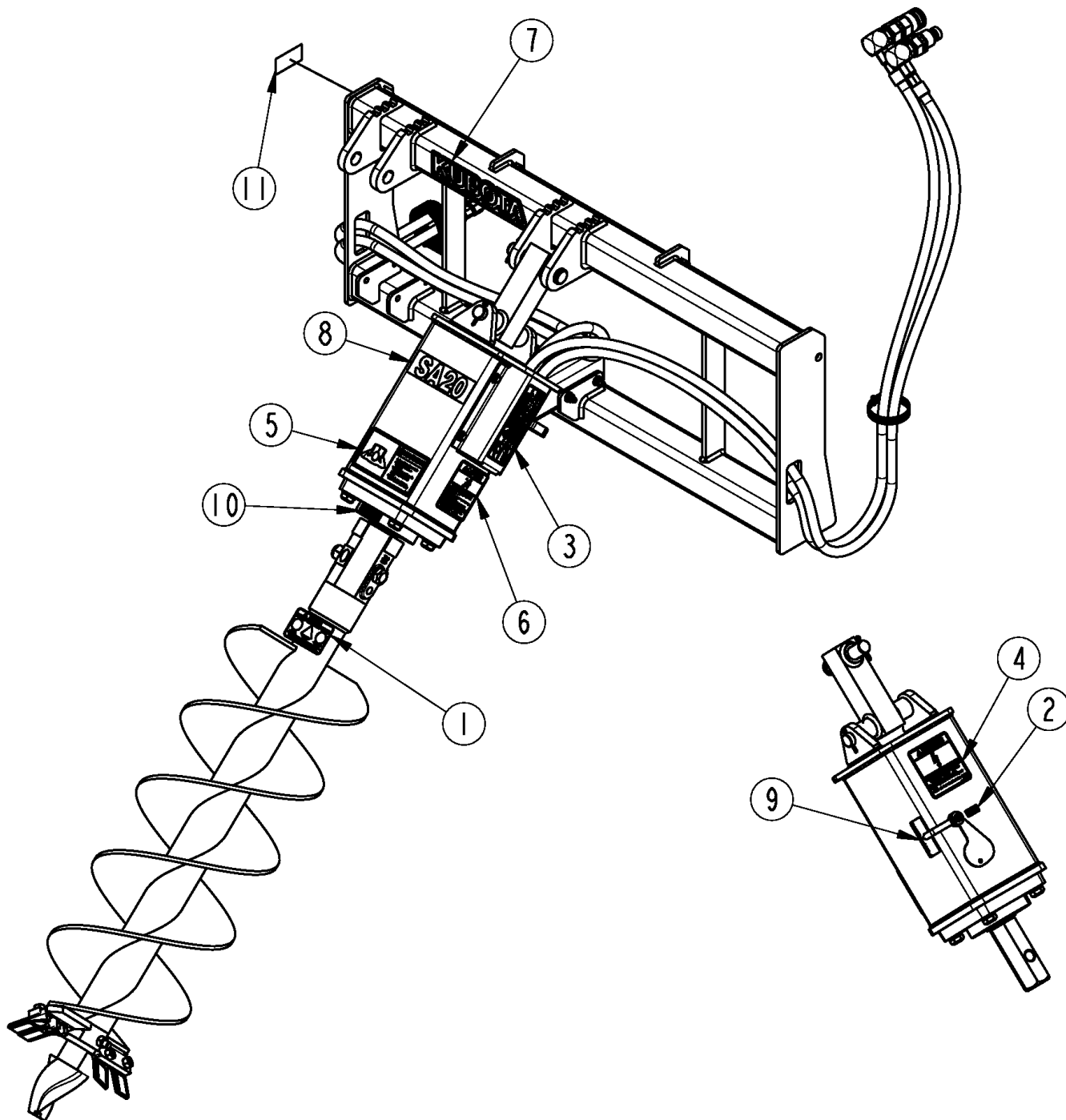
Kubota Touch-up Paints

Applies to AP-SA20

Ref	Part No.	Part Description	Comments	Revision
1.	821-070C	GLOSS BLACK SPRAY CAN	All Products	
2.	821-070CTU	GLOSS BLACK TOUCH-UP 5OZ		
3.	821-070CQT	GLOSS BLACK QUART		
4.	821-070CGL	GLOSS BLACK GALLON		

Label Placement

Applies to AP-SA20



37693

Label Placement

Applies to AP-SA20

Ref	Part No.	Part Description	Comments	Revision
	Dwg 37693	Drawing Image Number		
1.	135500	DECAL, DANGER AVOID INJURY		
2.	818-042C	DECAL PATENT PENDING		
3.	838-094C	DECAL WARNING HYD PRESS LONG		
4.	838-292C	DECAL ELECTROCUTE HAZARD		
5.	838-293C	DECAL WARNING READ MANUAL		
6.	838-294C	DECAL DANGER ROTATING AUGER		
7.	858-398C	DECAL KUBOTA 10"		
8.	858-495C	DECAL SA20 WHITE		
9.	858-280C	DECAL, VERTICAL INDICATOR		
10.	858-287C	DECAL 6-15 GPM		
10.	858-288C	DECAL 10-20 GPM		
10.	858-289C	DECAL 15-30 GPM		
11.	818-190C	DECAL FLAG		



Part Number Index

The Part Number Index is a numeric index of all part numbers included in this manual. The index shows what page(s) the part is used on.

Part Number	Page	Part Number	Page
135500	27	802-192C	23
14-00-193-003	11	802-214C	23
157018110	13, 15	802-311C	23
301-505A	21	802-488C	9
317-095A	23	802-750C	7
317-098A	23	802-794C	9
317-101A	23	803-019C	23
317-104A	23	803-025C	23
317-107A	23	803-147C	23
317-110A	23	803-209C	7
317-113A	23	804-011C	9
317-116A	23	804-015C	9
317-119A	23	804-022C	9
317-122A	23	804-036C	9
317-129A	23	805-104C	9
317-131A	23	805-131C	9
317-164D	9	805-531C	9
317-165D	9	810-531C	9, 19
317-201H	7	811-091C	21
317-208H	9	811-150C	9
317-212H	7	811-192C	9
317-218H	9	811-744C	21
500011101	13, 15, 17, 19	811-745C	21
500012001	13, 15, 17, 19	811-779C	21
500014007	13, 19	816-836C	9
500014009	17	818-042C	27
500014040	15	818-190C	27
500015006	13, 15, 17, 19	820-232C	23
500016001	13, 15, 17, 19	820-233C	23
500018002	13, 15, 17, 19	821-070C	25
500018003	13, 15, 17, 19	821-070CGL	25
500018048	13, 15, 17, 19	821-070CQT	25
500018059	13, 15, 17, 19	821-070CTU	25
500018075	17	826-805C	9, 11
500018252	17, 19	838-094C	27
500018305	13, 15	838-292C	27
500131823	17, 19	838-293C	27
500167011	15, 17	838-294C	27
500247005	13, 19	850-059C	9, 17
500444001	17, 19	850-252C	9, 13
500444506	13, 15	850-256C	9, 15
500445012	15, 17	851-947C	21
500445018	13, 19	851-948C	21
500449201	13, 15, 17, 19	858-280C	27
505013614	13, 15	858-287C	27
505017001	13, 15	858-288C	27
530018100	13, 15	858-289C	27
530018102	13, 15	858-398C	27
6039124	11	858-495C	27
604446	11	Dwg 37307	7
605008	11	Dwg 37308	9
605204	11	Dwg 37309	23
605205	11	Dwg 37311	17
613104	11	Dwg 37312	19
613367	11	Dwg 37313	11
613368	11	Dwg 37691	21
614923	11	Dwg 37693	27
616288	11	Dwg 39919	13
6165304	11	Dwg 39923	15
6171215	11	N/A	13, 15
6179224	11	n/a	17, 19
618394	11		
619351	11		
619352	11		
6659269	11		
800-060C	21		
802-041C	23		
802-044C	23		
802-055C	9		
802-091C	9		

This Page Intentionally Left Blank



KUBOTA TRACTOR CORPORATION

1000 Kubota Drive, Grapevine, TX 76051

Telephone: (817) 756-1171

Western Division: 1175 S. Guild Ave., Lodi, CA 95240
Telephone: (209) 334-9910

Central Division: 14855 FAA Blvd., Fort Worth, TX 76155
Telephone: (817) 571-0900

Northern Division: 6300 at One Kubota Way, Groveport, OH 43125
Telephone: (614) 835-1100

Southeast Division: 1025 Northbrook Parkway, Suwanee, GA 30024
Telephone: (770) 995-8855

www.kubota.com
