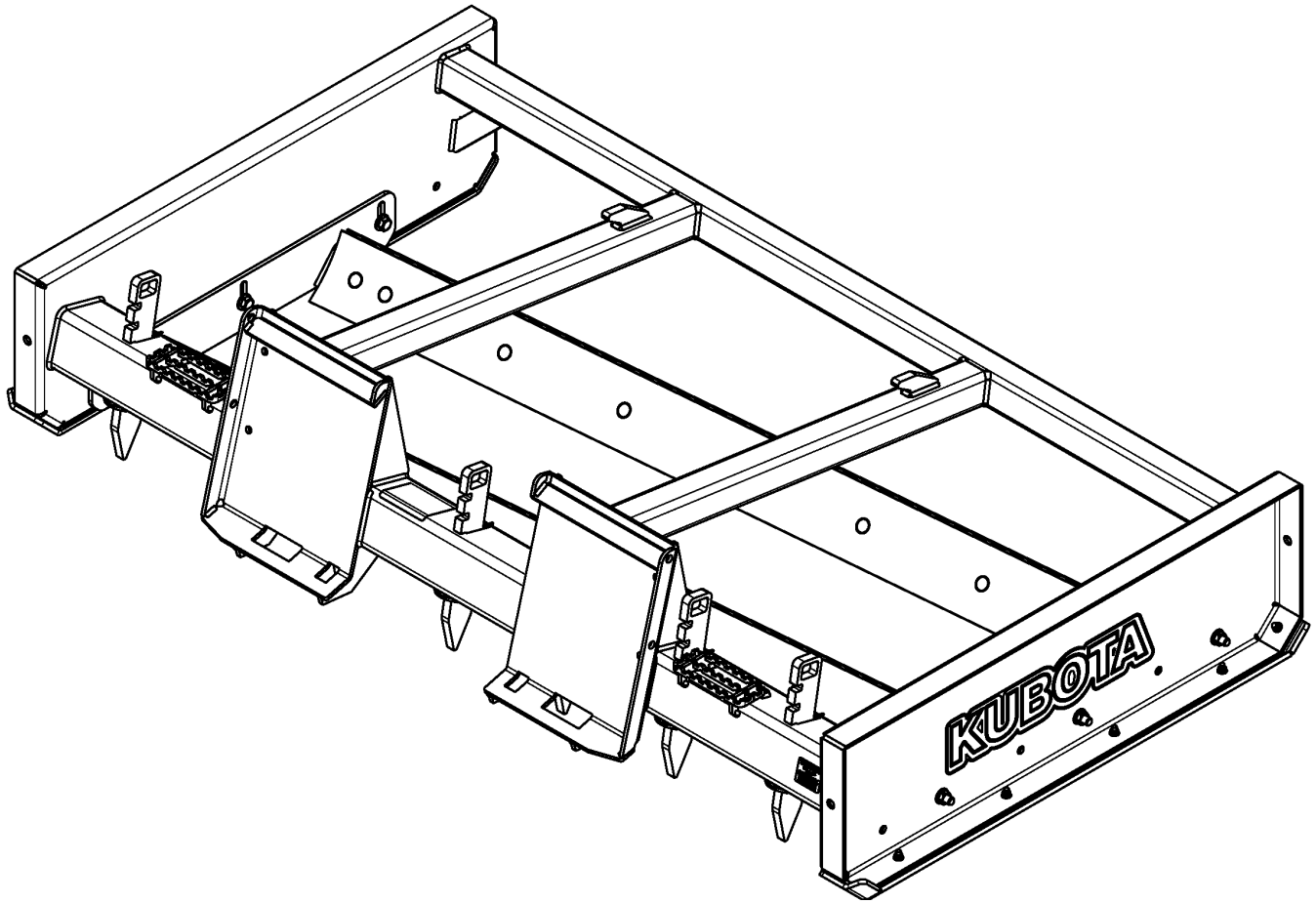


Skid Steer Grader

AP-SG2574 & AP-SG2584



39429

303-458PK
Parts Manual

Kubota®



Read the Operator's Manual entirely. When you see this symbol, the subsequent instructions and warnings are serious - follow without exception. Your life and the lives of others depend on it!

© Copyright 2017 Printed 03/01/17

Cover photo may show optional equipment not supplied with standard unit.



Table of Contents

| | |
|---------------------------------------------|-----------|
| Section 1: Introduction..... | 4 |
| Using This Manual..... | 4 |
| Manual Replacement Information..... | 4 |
| Manual Revisions..... | 4 |
| Touch-up Paint..... | 4 |
| Hardware Legend..... | 5 |
| Replacement Hardware..... | 5 |
| Serial Numbers..... | 5 |
| Part Number Service Coding..... | 5 |
| SECTION 2: Skid Grader Assembly..... | 6 |
| SG2572 Mainframe Assembly..... | 6 |
| SG2572 Subframe Assembly..... | 8 |
| SG2584 Mainframe Assembly..... | 10 |
| SG2584 Subframe Assembly..... | 12 |
| SECTION 3: Labels..... | 14 |
| Kubota Touch-up Paints..... | 14 |
| SG2572 Label Placement..... | 16 |
| SG2584 Label Placement..... | 18 |
| | |
| Part Number Index..... | 20 |

© Copyright 2017. All rights reserved.

Kubota provides this publication “as is” without warranty of any kind, either expressed or implied. While every precaution has been taken in the preparation of this manual, Kubota assumes no responsibility for errors or omissions. Neither is any liability assumed for damages resulting from the use of the information contained herein. Kubota reserves the right to revise and improve its products as it sees fit. This publication describes the state of this product at the time of its publication, and may not reflect the product in the future. The illustrations in this manual are not intended for safe and proper assembly or disassembly of equipment. The illustrations are intended for ordering parts only.

Kubota is registered trademark.

All other brands and product names are trademarks or registered trademarks of their respective holders.

Printed in the United States of America.



Alphabetized Table of Contents

K

Kubota Touch-up Paints.....14

S

SG2572 Label Placement.....16
SG2572 Mainframe Assembly.....6
SG2572 Subframe Assembly.....8
SG2584 Label Placement.....18
SG2584 Mainframe Assembly.....10
SG2584 Subframe Assembly.....12

General Information

Using This Manual

This manual is divided into sections. The first section contains General Information. The remaining sections divide the machine into segments (i.e. Frames, Drives, Hydraulics, etc.) which illustrate and list all parts. A Parts Number Index is located at the back of the book.

The Kubota parts in this manual are specially designed for this machine and should be replaced with Kubota parts only.

The information in this manual is current at time of printing. Some parts may change to assure top performance.

Right-hand and left-hand as used in this manual are determined by facing the direction the machine will travel while in use.

Below is an example of two facing pages from a parts manual. Familiarize yourself with the type of information contained on these pages.

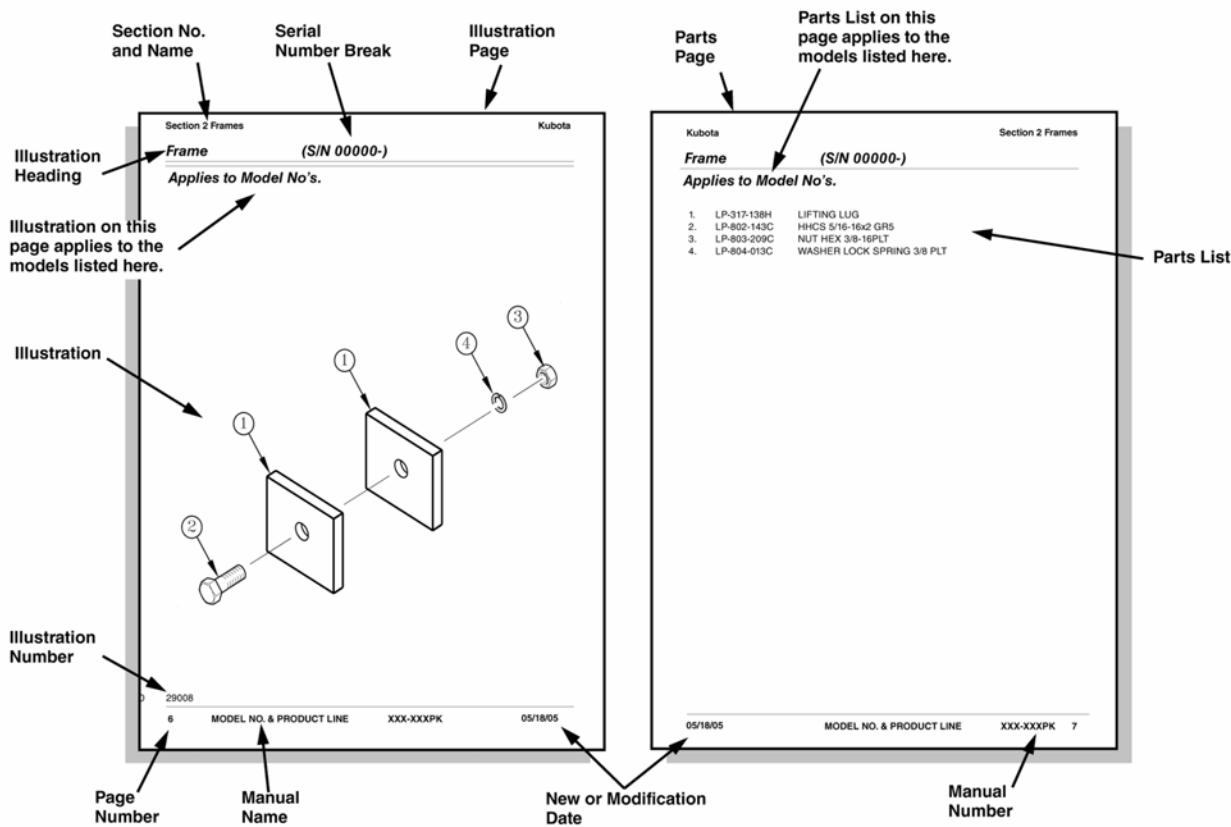
Manual Replacement Information

Replacement manuals are available. Refer to our website at www.kubota.com for additional information. Our website continues to provide the most up-to-date manuals available.

Touch-up Paint

Repaint parts where paint is worn or scratched to prevent rust. Kubota touch-up paints are available through your local Kubota dealer. Part numbers and color descriptions are listed below.

| Part No. | Part Description |
|------------|-----------------------------------------|
| 821-070C | GP Gloss black enamel spray can |
| 821-070CTU | GP Gloss black enamel bottle with brush |
| 821-070CQT | GP Gloss black enamel quart |
| 821-070CGL | GP Gloss black enamel gallon |



General Information

Hardware Legend

| | |
|----------|--------------------------------------------------|
| AR | As Required |
| BLADE | Blade Bolt |
| C | Cap Screw |
| CP | Cotter Pin |
| CPHSSS | Cup Point Hex Socket Set Screw |
| CPSHSS | Cup Point Square Head Set Screw |
| CPSQHSS | Cup Point Square Head Set Screw |
| CRFCHMS3 | Cross Recess Flat Countersunk Head Machine Screw |
| CRPHMS | Cross Recess Pan Head Machine Screw |
| CRPHTFS | Cross Recess Pan Head Thread Forming |
| CRRHMS | Cross Recess Round Head Machine Screw |
| CRTHMS | Cross Recess Truss Head Machine Screw |
| CSNB | Countersunk Square Neck Bolt |
| FHMS | Flat Head Machine Screw |
| FTC | Full Thread Cap Screw |
| H | Hex Nut |
| HCLN | Hex Center Lock Nut |
| HFLCS | Hex Flange Lock Cap Screw |
| HFS | Hex Flange Screw |
| HFSLN | Hex Flange Serrated Lock Nut |
| HFSS | Hex Flange Serrated Screw |
| HHCS | Hex Head Cap Screw or Metric Bolt |
| HSBHCS | Hex Socket Button Head Cap Screw |
| HSFCHCS | Hex Socket Flat Countersunk Head Cap Screw |
| HSHCS | Hex Socket Head Cap Screw |
| HSSS | Hex Socket Head Screw |
| HTLN | Hex Top Lock Nut |
| HWHCS | Hex Washer Head Cap Screw |

| | |
|----------------|---------------------------------------------|
| HWHMS | Hex Washer Head Machine Screw |
| HXBHCS | Hex Socket Button Head Cap Screw |
| J | Hex Jam Nut |
| JIC | 37 Degree Tapered Thread |
| L | Helical Spring Lock Washer |
| LUG | Lug Bolt |
| NFC | National Fine Cap Screw |
| NPSM | National Pipe Straight Mechanical |
| NPTF | National Pipe Taper Fuel |
| P | Wide Plain Washer |
| PHMS | Pan Head Machine Screw |
| PLOW | Plow Bolt |
| RHMS | Round Head Machine Screw |
| RHSNB | Round Head Square Neck Bolt |
| SCREW LEVELING | Leveling Screw |
| SCREW THUMB | Thumb Screw |
| SCREW WELD | Weld Screw |
| SFCHMS | Slotted Flat Countersunk Head Machine Screw |
| SFHMS | Slotted Fillister Head Machine Screw |
| SP | Special |
| SP SCREW | Special Screw |
| SQHSS | Square Head Set Screw |
| SRHMS | Slotted Round Head Machine Screw |
| SSS | Socket Set Screw |
| STCS | Self Tapping Cap Screw |
| STHMS | Slotted Truss Head Machine Screw |
| WHEEL | Wheel Studs and Hub Long Bolts |
| WING | Wing Bolt |

Replacement Hardware

The **Hardware Legend** above lists hardware abbreviations used in the parts list. All bolts and nuts are Grade 5 unless otherwise noted. The use of improper grades of hardware can result in personal injury, damage to equipment, or loss of property.

Part Number Service Coding

Within the parts list some part numbers are coded for revisions and interchangeability. See notations in revision column.

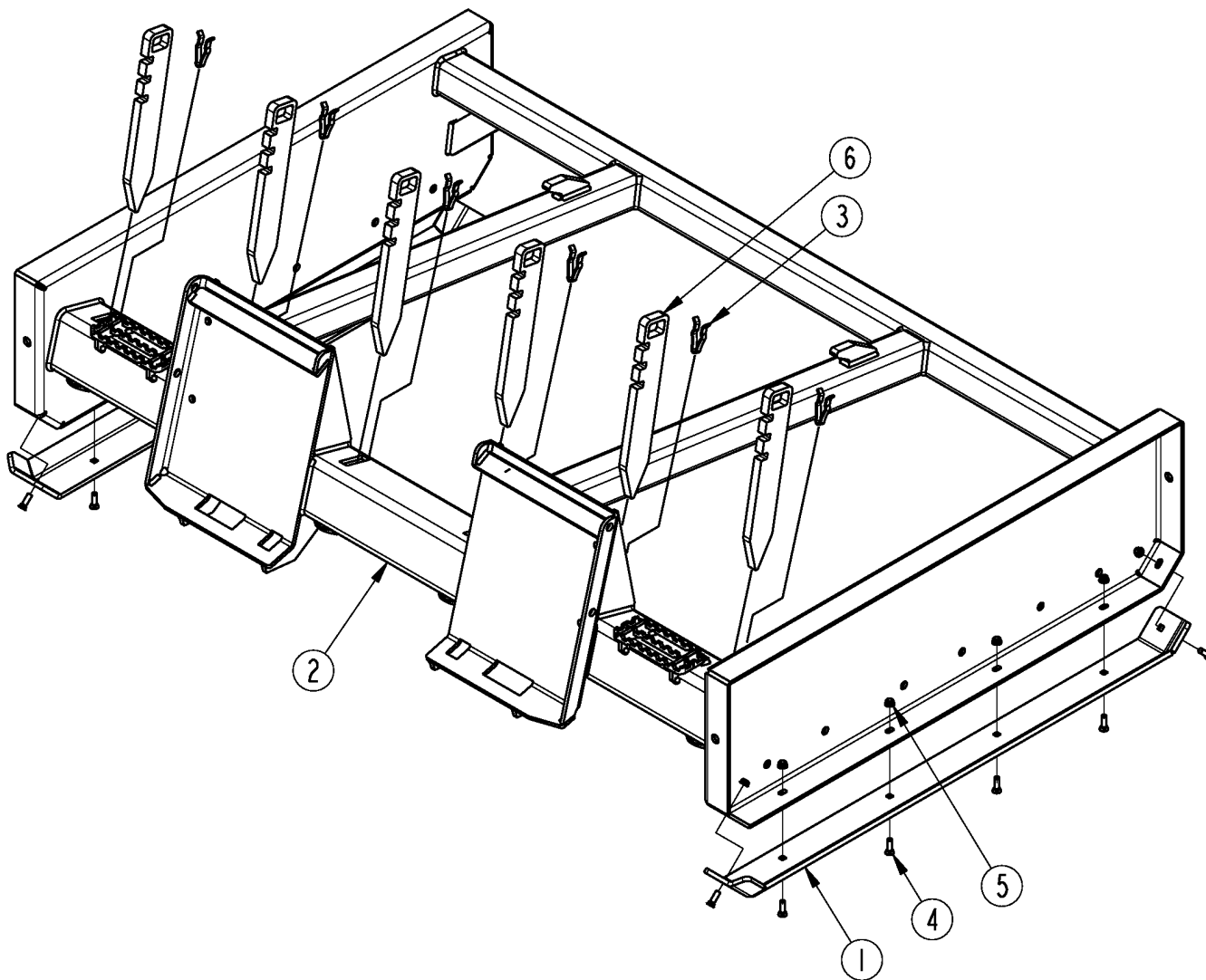
Serial Numbers

Always use the serial and model number when ordering parts. Refer to the Operator's Manual for serial number plate location.

- (S/N 20001+) Includes serial numbers 20001 and above (to the latest number)
- (S/N 10001 to 20000) Includes serial numbers between and including 10001 and 20000
- (S/N 10000-) Includes serial numbers 10000 and below (to the earliest number)

SG2572 Mainframe Assembly

Applies to AP-SG2572



39426

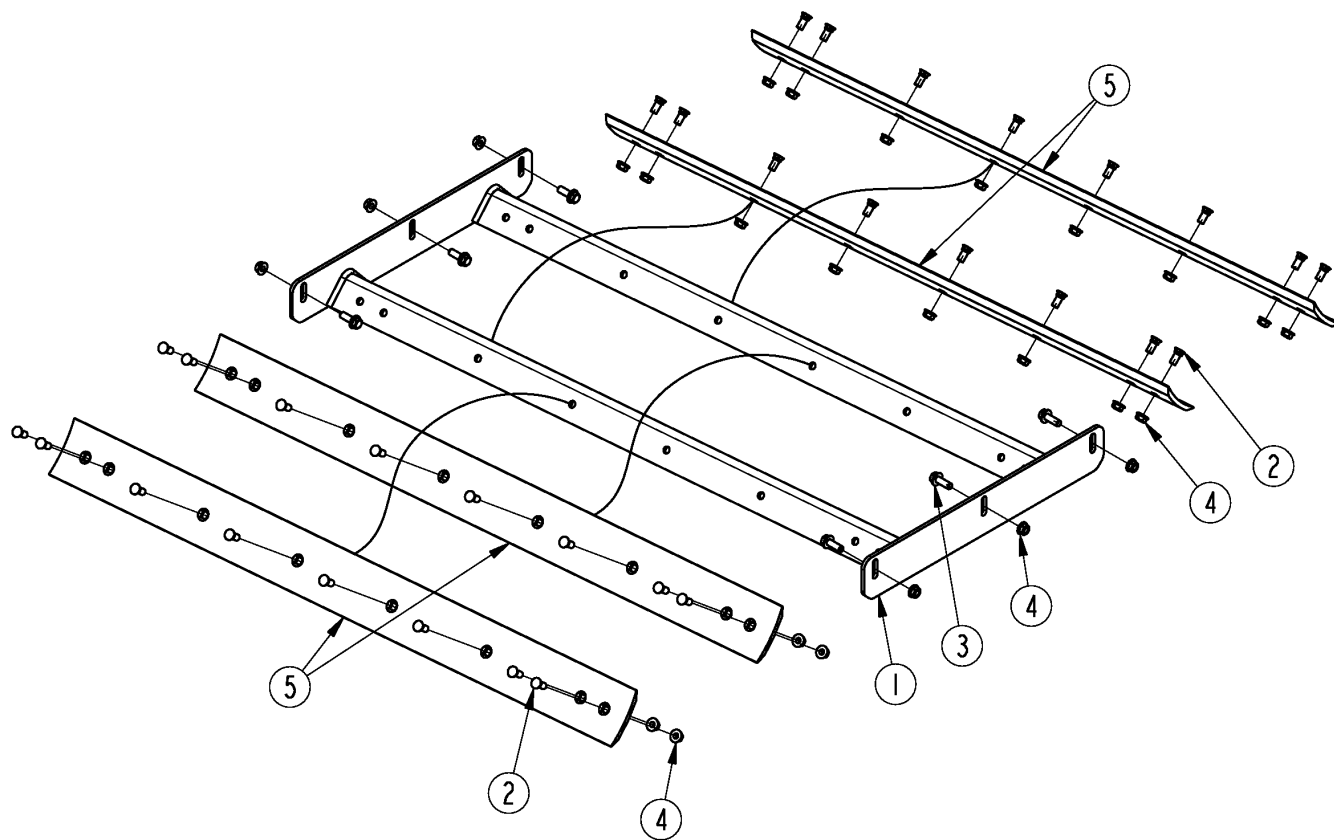
SG2572 Mainframe Assembly

Applies to AP-SG2572

| Ref | Part No. | Part Description | Comments | Revision |
|------------|-----------------|----------------------------|-----------------|-----------------|
| | Dwg 39426 | Image No. | | |
| 1. | 303-345D | SKID SHOE REVERSIBLE | | |
| 2. | 303-401H | SG2572 FRAME WELDMENT | | |
| 3. | 305-111D | CLIP SHANK RETAINER | | |
| 4. | 802-466C | PLOW 3/8-16X1 1/4 GR5 | | |
| 5. | 803-209C | NUT FLANGE LOCK 3/8-16 PLT | | |
| 6. | 820-557C | STRAIGHT SHANK | | |

SG2572 Subframe Assembly

Applies to AP-SG2572



39427

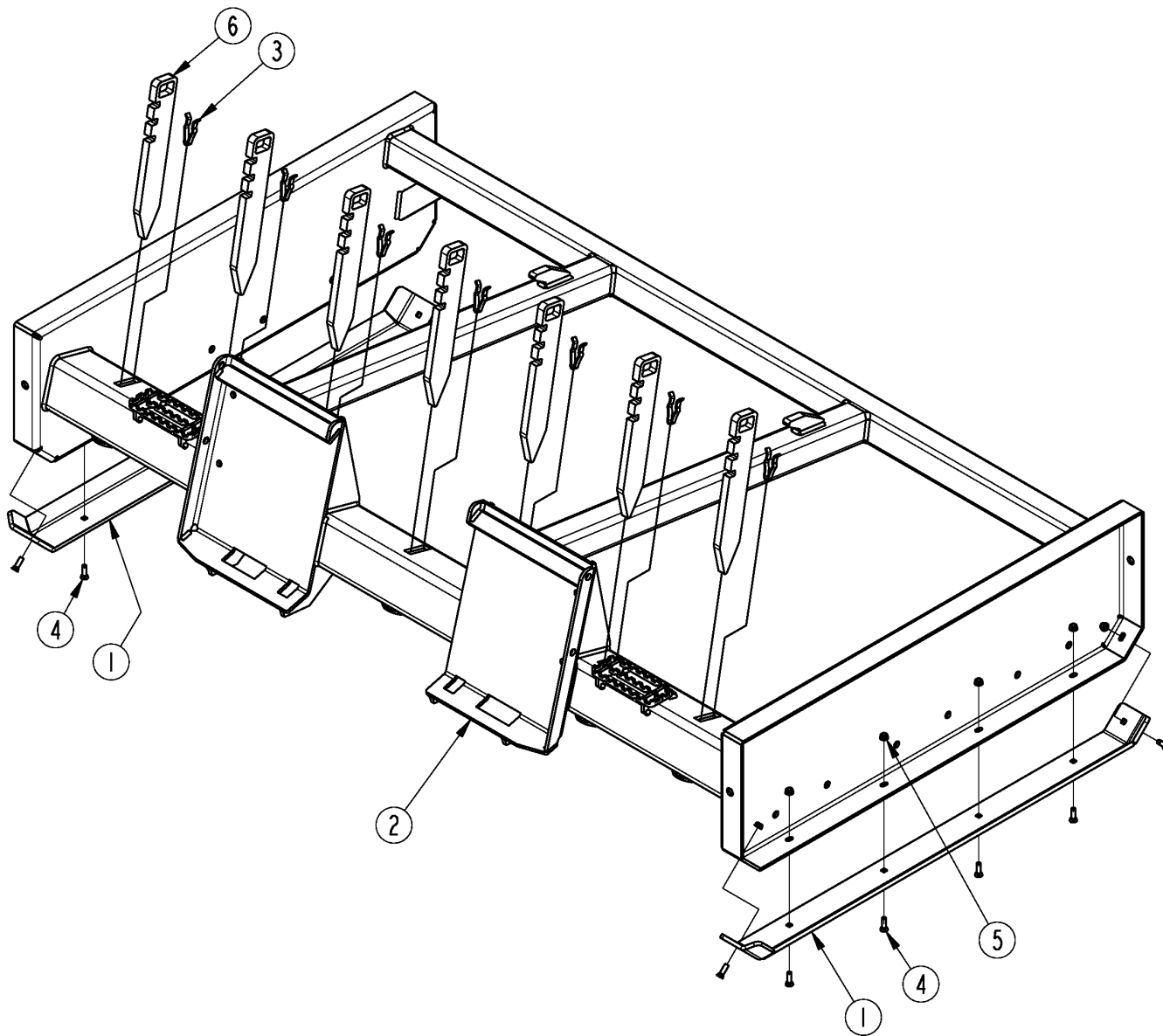
SG2572 Subframe Assembly

Applies to AP-SG2572

| Ref | Part No. | Part Description | Comments | Revision |
|------------|-----------------|-------------------------------|-----------------|-----------------|
| | Dwg 39427 | Image No. | | |
| 1. | 303-406H | WLDMNT, 72" BLD CARRIER | | |
| 2. | 802-236C | PLOW 5/8-11X1 1/2 GR5 | | |
| 3. | 802-657C | HFS 5/8-11 X 1 3/4 GR8 | | |
| 4. | 803-304C | NUT HEX WHIZ 5/8-11 PLT | | |
| 5. | 820-043C | GRADER BLADE 1/2 X 6 X 71 1/2 | | |

SG2584 Mainframe Assembly

Applies to AP-SG2584



39430

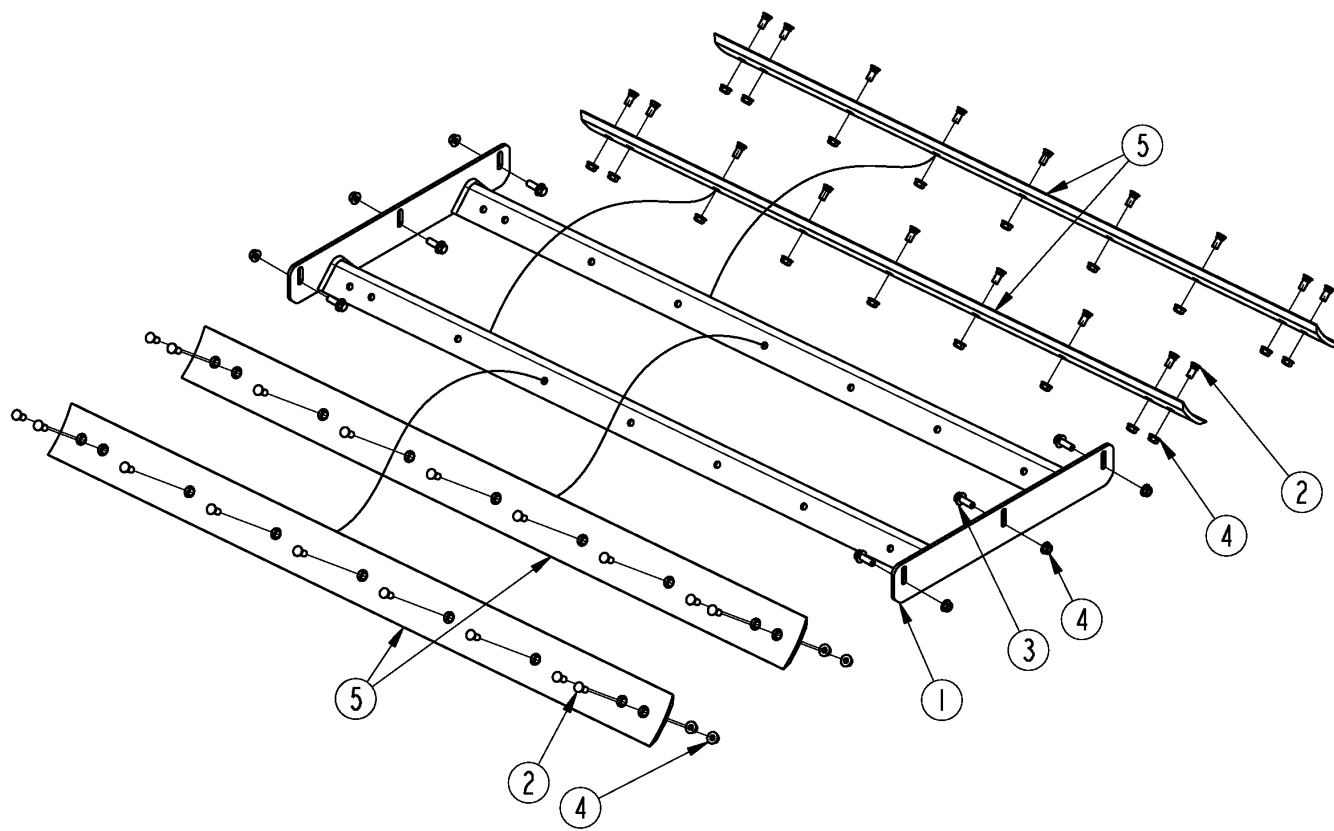
SG2584 Mainframe Assembly

Applies to AP-SG2584

| Ref | Part No. | Part Description | Comments | Revision |
|------------|-----------------|----------------------------|-----------------|-----------------|
| | Dwg 39430 | Image No. | | |
| 1. | 303-345D | SKID SHOE REVERSIBLE | | |
| 2. | 303-402H | SG2584 FRAME WELDMENT | | |
| 3. | 305-111D | CLIP SHANK RETAINER | | |
| 4. | 802-466C | PLOW 3/8-16X1 1/4 GR5 | | |
| 5. | 803-209C | NUT FLANGE LOCK 3/8-16 PLT | | |
| 6. | 820-557C | STRAIGHT SHANK | | |

SG2584 Subframe Assembly

Applies to AP-SG2584



39431

SG2584 Subframe Assembly

Applies to AP-SG2584

| Ref | Part No. | Part Description | Comments | Revision |
|------------|-----------------|-------------------------------|-----------------|-----------------|
| | Dwg 39431 | Image No. | | |
| 1. | 303-267H | WLDMNT, 84" BUCK BLD CARRIER | | |
| 2. | 802-236C | PLOW 5/8-11X1 1/2 GR5 | | |
| 3. | 802-657C | HFS 5/8-11 X 1 3/4 GR8 | | |
| 4. | 803-304C | NUT HEX WHIZ 5/8-11 PLT | | |
| 5. | 820-046C | GRADER BLADE 1/2 X 6 X 83 1/2 | | |

Kubota Touch-up Paints

Applies to AP-SG2572, AP-SG2584

No diagram associated with this Parts List

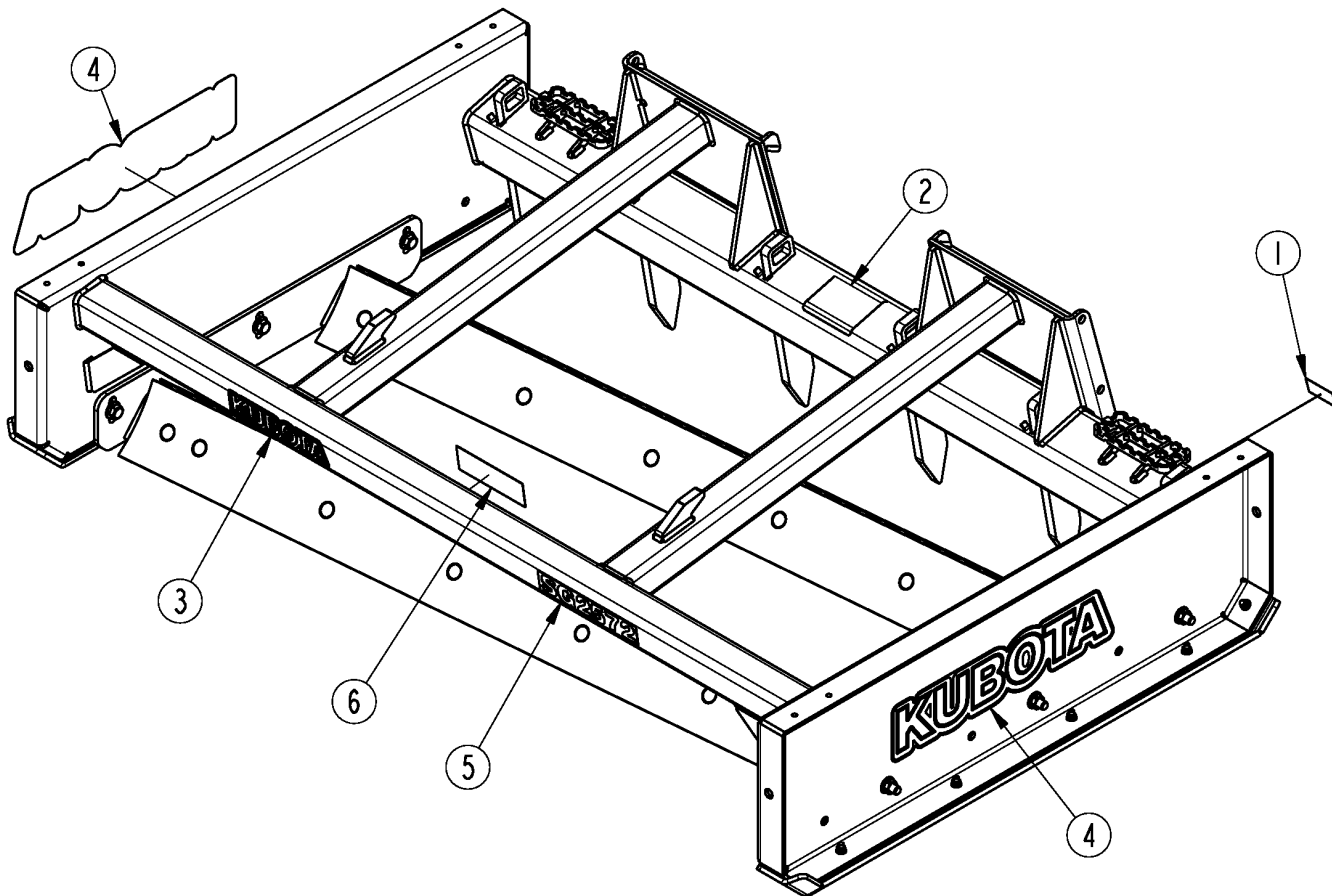
Kubota Touch-up Paints

Applies to AP-SG2572, AP-SG2584

| Ref | Part No. | Part Description | Comments | Revision |
|------------|-----------------|--------------------------|-----------------|-----------------|
| 1. | 821-070C | GLOSS BLACK SPRAY CAN | All Products | |
| 2. | 821-070CTU | GLOSS BLACK TOUCH-UP 5OZ | | |
| 3. | 821-070CQT | GLOSS BLACK QUART | | |
| 4. | 821-070CGL | GLOSS BLACK GALLON | | |

SG2572 Label Placement

Applies to AP-SG2572



39428

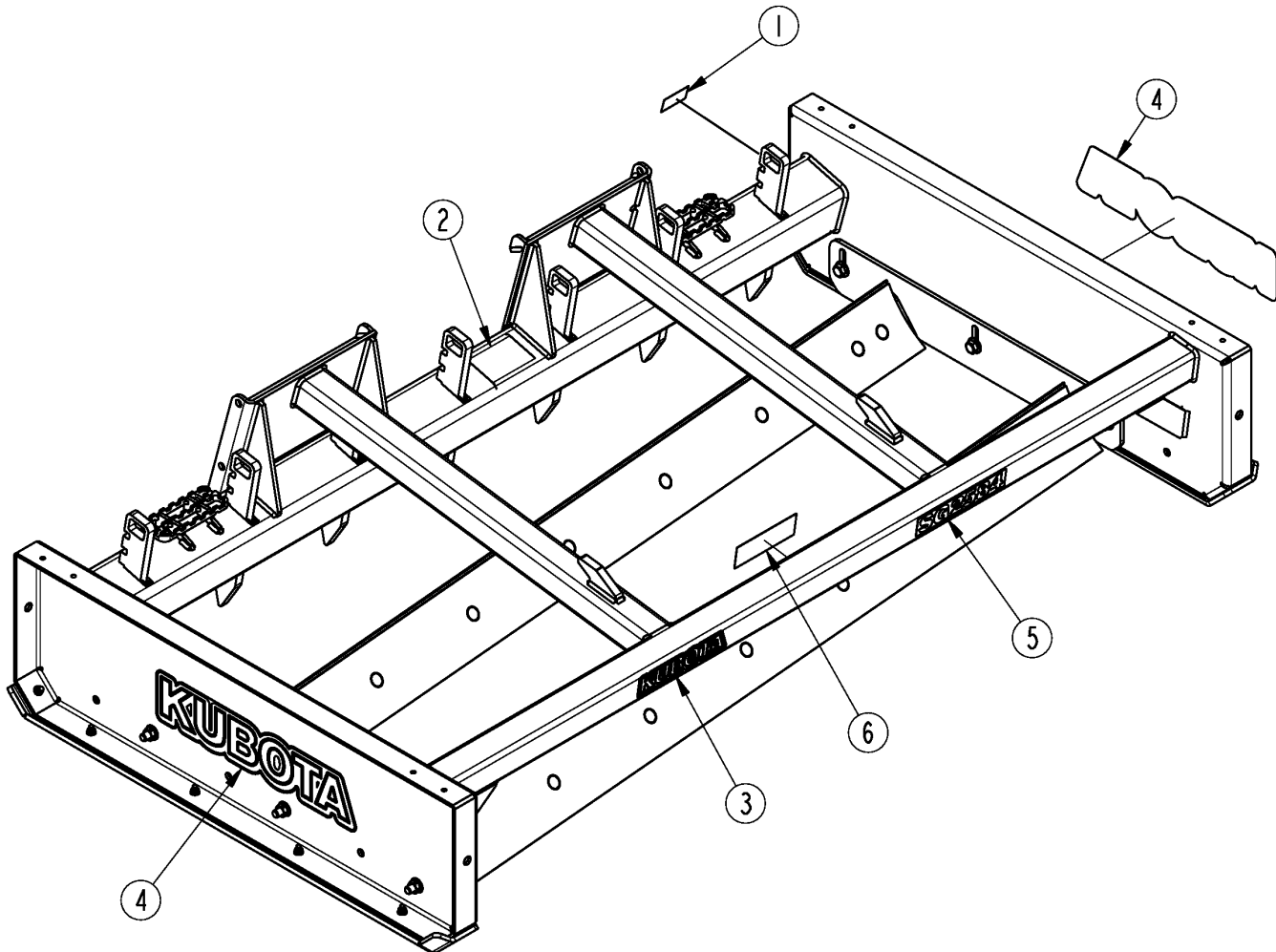
SG2572 Label Placement

Applies to AP-SG2572

| Ref | Part No. | Part Description | Comments | Revision |
|------------|-----------------|---------------------------------|-----------------|-----------------|
| | Dwg 39428 | Image No. | | |
| 1. | 818-190C | FLAG DECAL | | |
| 2. | 818-267C | DECAL CAUTION - BOX SCRAPER | | |
| 3. | 858-398C | DECAL KUBOTA 10" | | |
| 4. | 858-400C | DECAL KUBOTA 22" | | |
| 5. | 858-556C | DECAL SG2572 WHITE | | |
| 6. | 858-707C | DECAL, WARNING BUCKET TRANSPORT | | |

SG2584 Label Placement

Applies to AP-SG2584



39432

SG2584 Label Placement

Applies to AP-SG2584

| Ref | Part No. | Part Description | Comments | Revision |
|------------|-----------------|---------------------------------|-----------------|-----------------|
| | Dwg 39432 | Image No. | | |
| 1. | 818-190C | FLAG DECAL | | |
| 2. | 818-267C | DECAL CAUTION - BOX SCRAPER | | |
| 3. | 858-398C | DECAL KUBOTA 10" | | |
| 4. | 858-400C | DECAL KUBOTA 22" | | |
| 5. | 858-557C | DECAL SG2584 WHITE | | |
| 6. | 858-707C | DECAL, WARNING BUCKET TRANSPORT | | |



Part Number Index

The Part Number Index is a numeric index of all part numbers included in this manual. The index shows what page(s) the part is used on.

| Part Number | Page |
|--------------------|-------------|
| 303-267H | 13 |
| 303-345D | 7, 11 |
| 303-401H | 7 |
| 303-402H | 11 |
| 303-406H | 9 |
| 305-111D | 7, 11 |
| 802-236C | 9, 13 |
| 802-466C | 7, 11 |
| 802-657C | 9, 13 |
| 803-209C | 7, 11 |
| 803-304C | 9, 13 |
| 818-190C | 17, 19 |
| 818-267C | 17, 19 |
| 820-043C | 9 |
| 820-046C | 13 |
| 820-557C | 7, 11 |
| 821-070C | 15 |
| 821-070CGL | 15 |
| 821-070CQT | 15 |
| 821-070CTU | 15 |
| 858-398C | 17, 19 |
| 858-400C | 17, 19 |
| 858-556C | 17 |
| 858-557C | 19 |
| 858-707C | 17, 19 |
| Dwg 39426 | 7 |
| Dwg 39427 | 9 |
| Dwg 39428 | 17 |
| Dwg 39430 | 11 |
| Dwg 39431 | 13 |
| Dwg 39432 | 19 |

This Page Intentionally Left Blank



KUBOTA TRACTOR CORPORATION

1000 Kubota Drive, Grapevine, TX 76051

Telephone: (817) 756-1171

Western Division: 1175 S. Guild Ave., Lodi, CA 95240

Telephone: (209) 334-9910

Central Division: 14855 FAA Blvd., Fort Worth, TX 76155

Telephone: (817) 571-0900

Northern Division: 6300 at One Kubota Way, Groveport, OH 43125

Telephone: (614) 835-1100

Southeast Division: 1025 Northbrook Parkway, Suwanee, GA 30024

Telephone: (770) 995-8855

www.kubota.com
