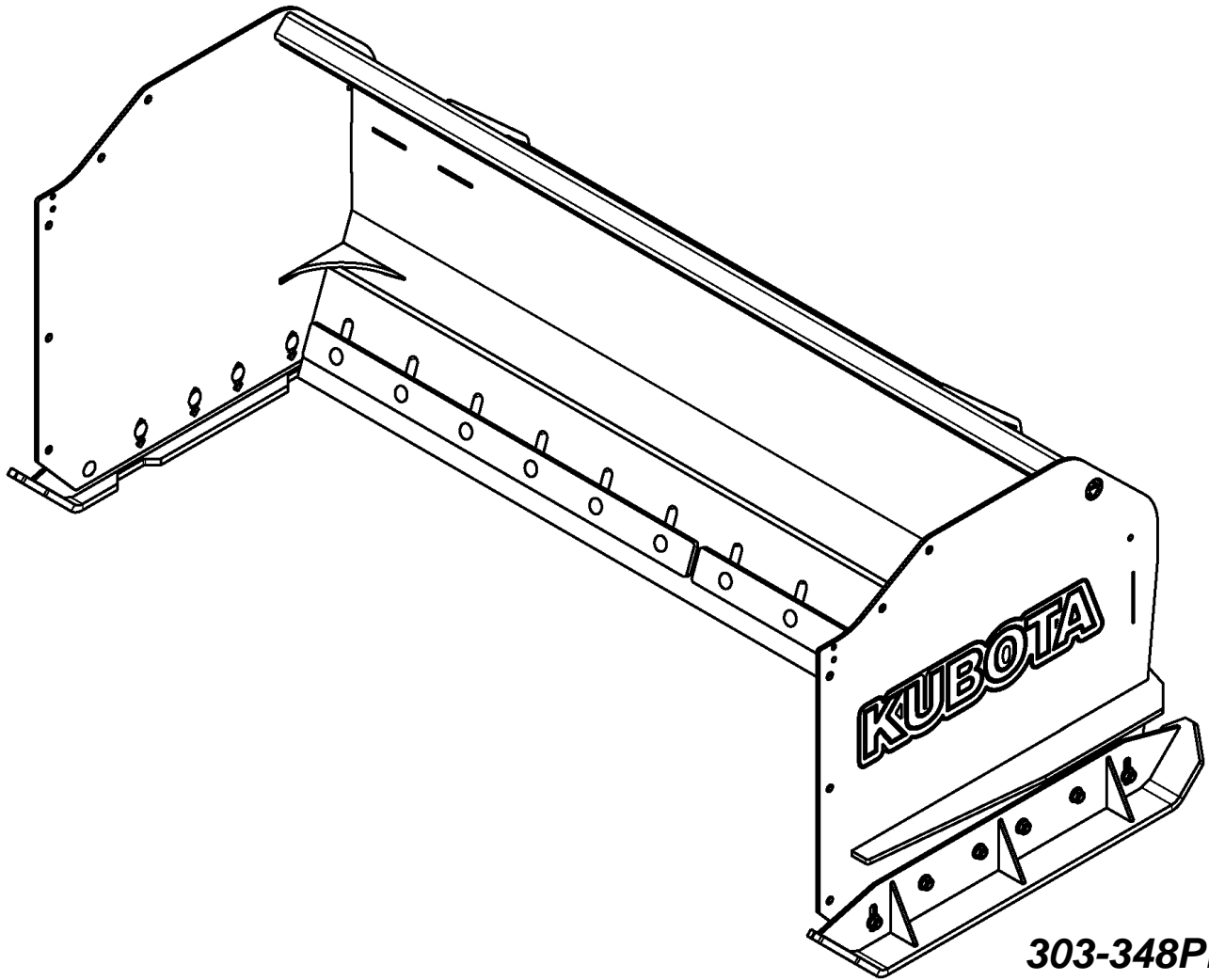


Snow Pushers

**AP-SSP1572, AP-SSP1584, AP-SSP1596, &
AP-SSP2596**



37732

Kubota®

**303-348PK
Parts Manual**



Read the Operator's Manual entirely. When you see this symbol, the subsequent instructions and warnings are serious - follow without exception. Your life and the lives of others depend on it!

© Copyright 2016 Printed 10/27/16

Cover photo may show optional equipment not supplied with standard unit.



Table of Contents

Section 1: Introduction.....	4
Using This Manual.....	4
Manual Replacement Information.....	4
Manual Revisions.....	4
Touch-up Paint.....	4
Hardware Legend.....	5
Replacement Hardware.....	5
Serial Numbers.....	5
Part Number Service Coding.....	5
Section 2: Complete Assembly.....	6
SSP15 Complete Assembly & Labels.....	6
SSP25 Complete Assembly & Labels.....	8
Section 3: Options & Accessories.....	10
SSP15 Marker Edge.....	10
SSP15 Pull Back.....	12
SSP15 Steel Blade Components.....	14
SSP25 End Panel Braces.....	16
SSP25 Marker Edge.....	18
SSP25 Pull Back.....	20
SSP25 Steel Blade Components.....	22
Part Number Index.....	24

© Copyright 2016. All rights reserved.

Kubota provides this publication “as is” without warranty of any kind, either expressed or implied. While every precaution has been taken in the preparation of this manual, Kubota assumes no responsibility for errors or omissions. Neither is any liability assumed for damages resulting from the use of the information contained herein. Kubota reserves the right to revise and improve its products as it sees fit. This publication describes the state of this product at the time of its publication, and may not reflect the product in the future. The illustrations in this manual are not intended for safe and proper assembly or disassembly of equipment. The illustrations are intended for ordering parts only.

Kubota is registered trademark.

All other brands and product names are trademarks or registered trademarks of their respective holders.

Printed in the United States of America.



Alphabetized Table of Contents

S

SSP15 Complete Assembly & Labels.....	6
SSP15 Marker Edge.....	10
SSP15 Pull Back.....	12
SSP15 Steel Blade Components.....	14
SSP25 Complete Assembly & Labels.....	8
SSP25 End Panel Braces.....	16
SSP25 Marker Edge.....	18
SSP25 Pull Back.....	20
SSP25 Steel Blade Components.....	22

General Information

Using This Manual

This manual is divided into sections. The first section contains General Information. The remaining sections divide the machine into segments (i.e. Frames, Drives, Hydraulics, etc.) which illustrate and list all parts. A Parts Number Index is located at the back of the book.

The Kubota parts in this manual are specially designed for this machine and should be replaced with Kubota parts only.

The information in this manual is current at time of printing. Some parts may change to assure top performance.

Right-hand and left-hand as used in this manual are determined by facing the direction the machine will travel while in use.

Below is an example of two facing pages from a parts manual. Familiarize yourself with the type of information contained on these pages.

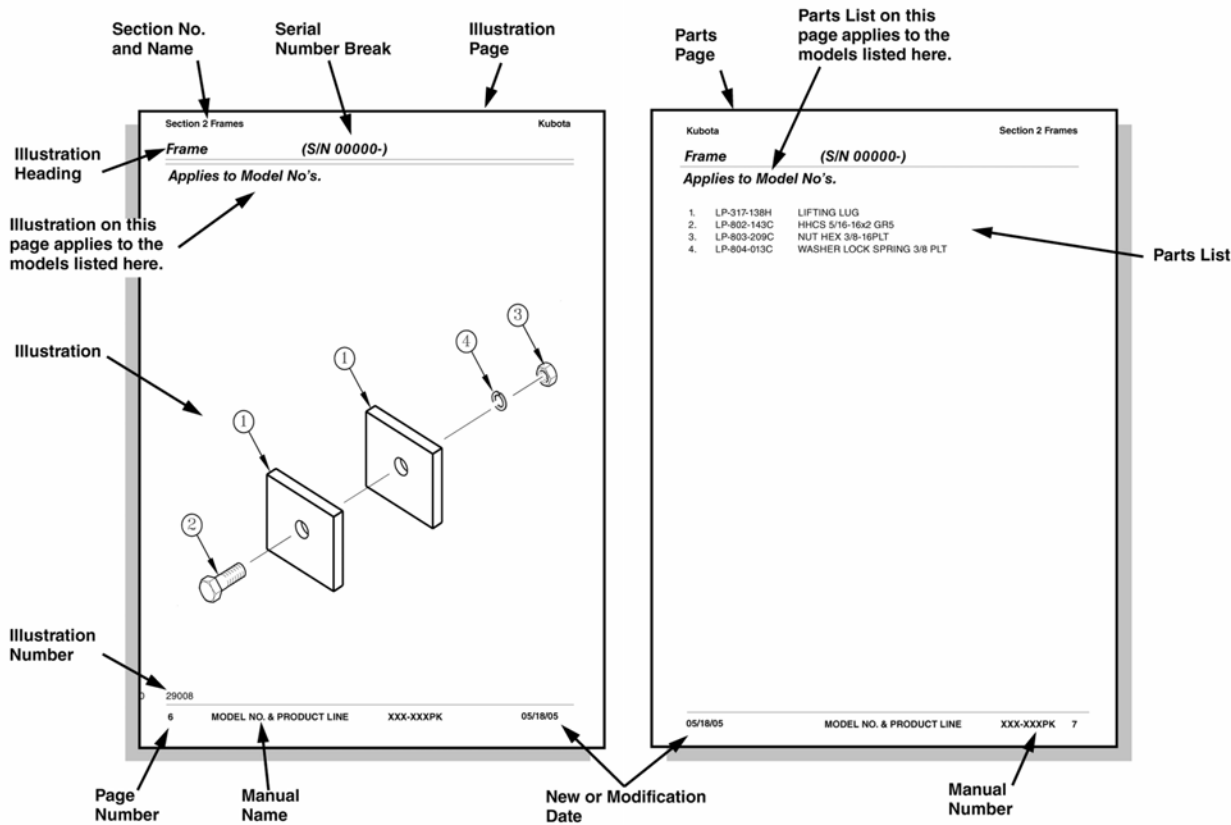
Manual Replacement Information

Replacement manuals are available. Refer to our website at www.kubota.com for additional information. Our website continues to provide the most up-to-date manuals available.

Touch-up Paint

Repaint parts where paint is worn or scratched to prevent rust. Kubota touch-up paints are available through your local Kubota dealer. Part numbers and color descriptions are listed below.

Part No.	Part Description
821-070C	GP Gloss black enamel spray can
821-070CTU	GP Gloss black enamel bottle with brush
821-070CQT	GP Gloss black enamel quart
821-070CGL	GP Gloss black enamel gallon



General Information

Hardware Legend

AR	As Required
BLADE	Blade Bolt
C	Cap Screw
CP	Cotter Pin
CPHSSS	Cup Point Hex Socket Set Screw
CPSHSS	Cup Point Square Head Set Screw
CPSQHSS	Cup Point Square Head Set Screw
CRFCHMS3	Cross Recess Flat Countersunk Head Machine Screw
CRPHMS	Cross Recess Pan Head Machine Screw
CRPHTFS	Cross Recess Pan Head Thread Forming
CRRHMS	Cross Recess Round Head Machine Screw
CRTHMS	Cross Recess Truss Head Machine Screw
CSNB	Countersunk Square Neck Bolt
FHMS	Flat Head Machine Screw
FTC	Full Thread Cap Screw
H	Hex Nut
HCLN	Hex Center Lock Nut
HFLCS	Hex Flange Lock Cap Screw
HFS	Hex Flange Screw
HFSLN	Hex Flange Serrated Lock Nut
HFSS	Hex Flange Serrated Screw
HHCS	Hex Head Cap Screw or Metric Bolt
HSBHCS	Hex Socket Button Head Cap Screw
HSFCHCS	Hex Socket Flat Countersunk Head Cap Screw
HSHCS	Hex Socket Head Cap Screw
HSSS	Hex Socket Head Screw
HTLN	Hex Top Lock Nut
HWHCS	Hex Washer Head Cap Screw

HWHMS	Hex Washer Head Machine Screw
HXBHCS	Hex Socket Button Head Cap Screw
J	Hex Jam Nut
JIC	37 Degree Tapered Thread
L	Helical Spring Lock Washer
LUG	Lug Bolt
NFC	National Fine Cap Screw
NPSM	National Pipe Straight Mechanical
NPTF	National Pipe Taper Fuel
P	Wide Plain Washer
PHMS	Pan Head Machine Screw
PLOW	Plow Bolt
RHMS	Round Head Machine Screw
RHSNB	Round Head Square Neck Bolt
SCREW LEVELING	Leveling Screw
SCREW THUMB	Thumb Screw
SCREW WELD	Weld Screw
SFCHMS	Slotted Flat Countersunk Head Machine Screw
SFHMS	Slotted Fillister Head Machine Screw
SP	Special
SP SCREW	Special Screw
SQHSS	Square Head Set Screw
SRHMS	Slotted Round Head Machine Screw
SSS	Socket Set Screw
STCS	Self Tapping Cap Screw
STHMS	Slotted Truss Head Machine Screw
WHEEL	Wheel Studs and Hub Long Bolts
WING	Wing Bolt

Replacement Hardware

The **Hardware Legend** above lists hardware abbreviations used in the parts list. All bolts and nuts are Grade 5 unless otherwise noted. The use of improper grades of hardware can result in personal injury, damage to equipment, or loss of property.

Part Number Service Coding

Within the parts list some part numbers are coded for revisions and interchangeability. See notations in revision column.

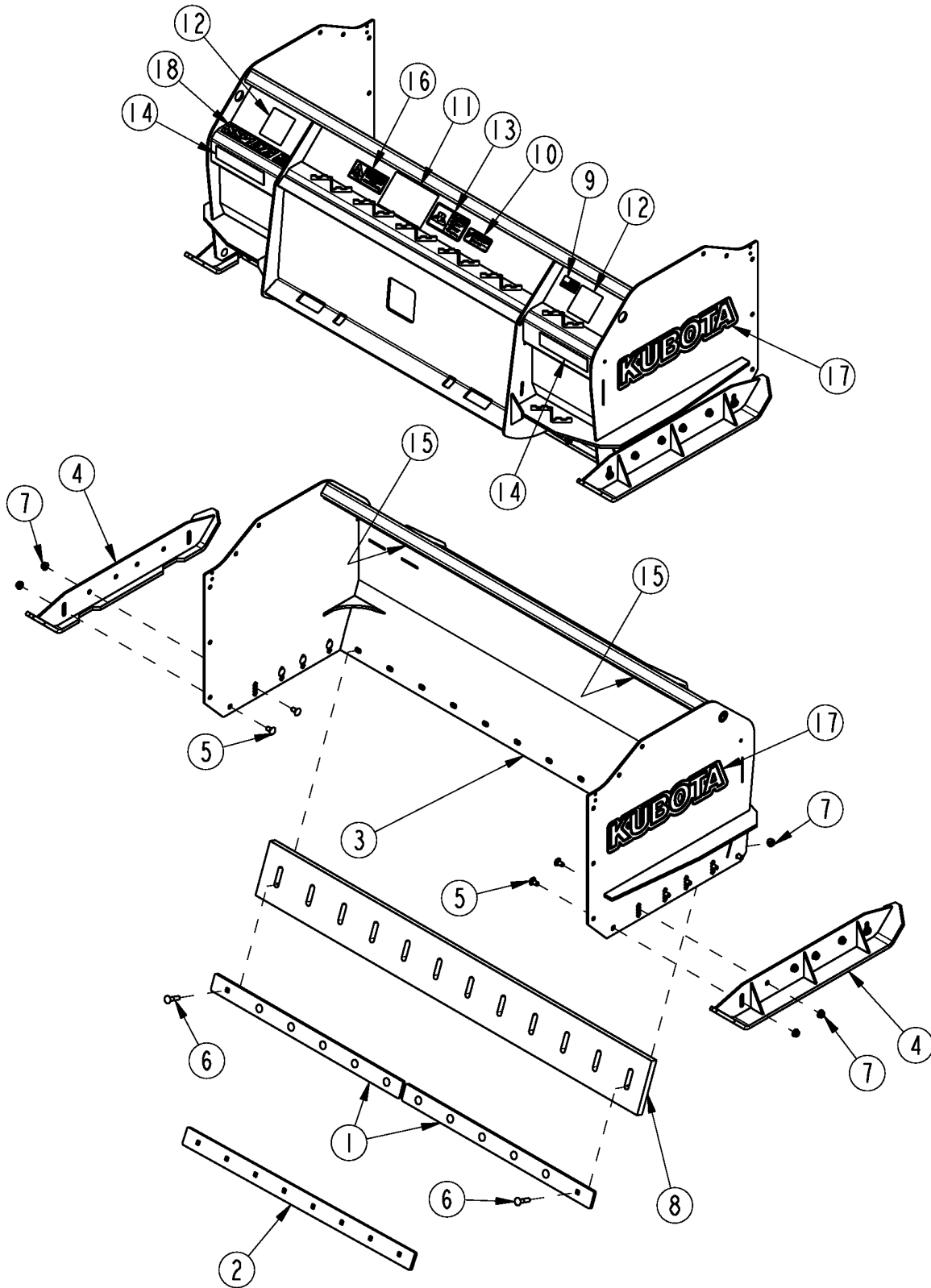
Serial Numbers

Always use the serial and model number when ordering parts. Refer to the Operator's Manual for serial number plate location.

- (S/N 20001+) Includes serial numbers 20001 and above (to the latest number)
- (S/N 10001 to 20000) Includes serial numbers between and including 10001 and 20000
- (S/N 10000-) Includes serial numbers 10000 and below (to the earliest number)

SSP15 Complete Assembly & Labels

Applies to AP-SSP1572, AP-SSP1584, AP-SSP1596



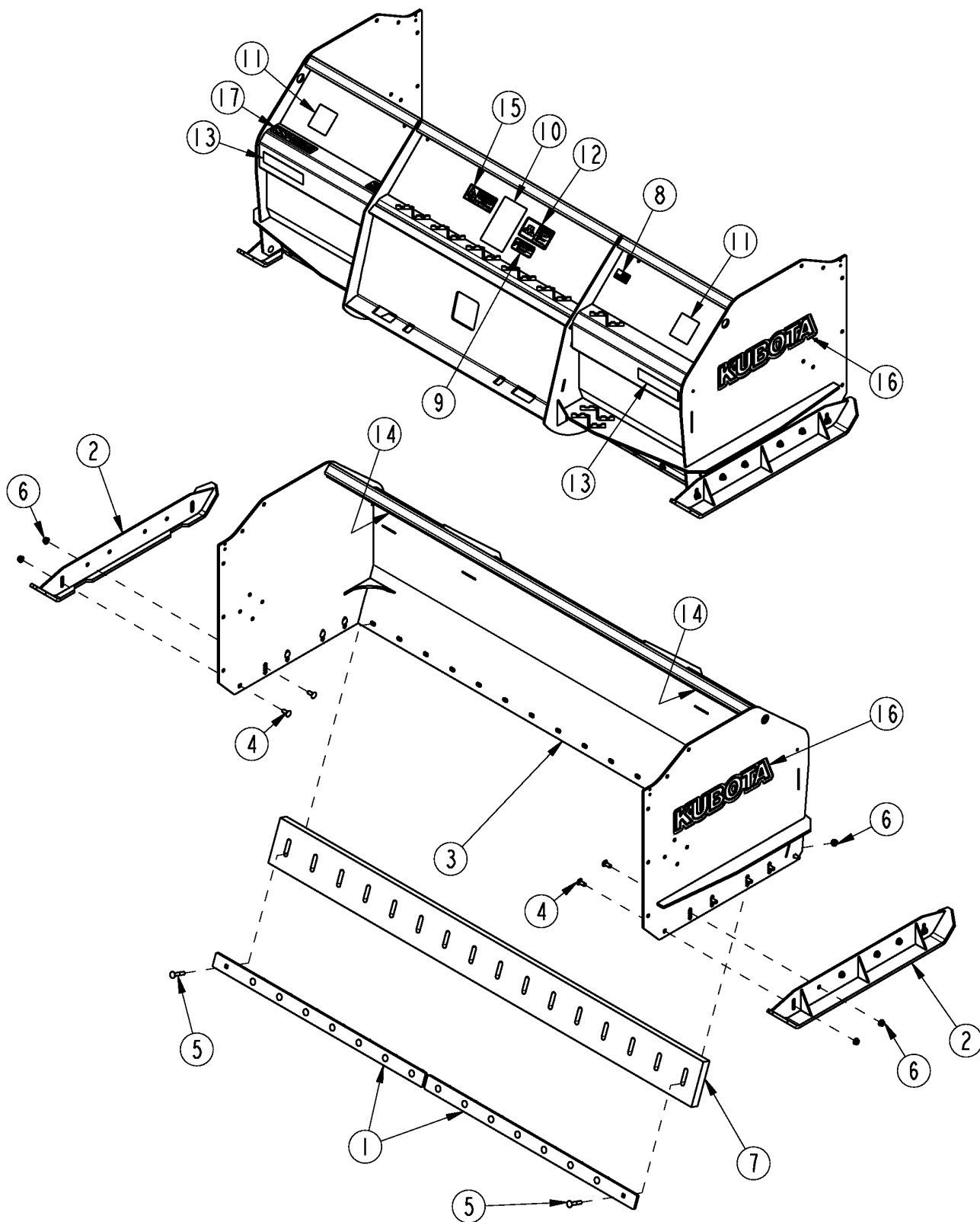
37733

SSP15 Complete Assembly & Labels**Applies to AP-SSP1572, AP-SSP1584, AP-SSP1596**

Ref	Part No.	Part Description	Comments	Revision
	Dwg 37733	Drawing Image Number		
1.	303-258D	RUBBER BLADE SUPPORT SHORT	AP-SSP1572 2 Ea. & AP-SSP1584 1 Ea.	
2.	303-259D	RUBBER BLADE SUPPORT LONG	AP-SSP1596 2 Ea. & AP-SSP1584 1 Ea.	
3.	303-342H	SNOW PUSHER 72"		
3.	303-343H	SNOW PUSHER 84"		
3.	303-344H	SNOW PUSHER 96"		
4.	303-341H	AR400 SNOW PUSHER SKID SHOE		
5.	802-183C	RHSNB 1/2-13X1 GR5		
6.	802-250C	RHSNB 1/2-13X2 1/4 GR5		
7.	803-037C	NUT HEX WHIZ 1/2-13 PLT		
8.	816-814C	SNOW BLADE 1 X 8 X 72"		
8.	816-815C	SNOW BLADE 1 X 8 X 84"		
8.	816-816C	SNOW BLADE 1 X 8 X 96"		
9.	818-190C	DECAL FLAG		
10.	838-102C	DECAL WARNING FALLING HAZARD		
11.	838-106C	DECAL WARNING CRUSH ROCK RAKE		
12.	838-112C	DECAL DANGER PINCHING		
13.	838-293C	DECAL WARNING READ MANUAL		
14.	838-614C	DECAL REFLECTOR RED 2X9		
15.	838-615C	DECAL REFLECTOR AMBER 2X9		
16.	858-215C	DECAL ROLLOVER CRUSHING HAZARD		
17.	858-400C	DECAL KUBOTA 22"		
18.	858-482C	DECAL SSP1572 WHITE		
18.	858-483C	DECAL SSP1584 WHITE		
18.	858-484C	DECAL SSP1596 WHITE		

SSP25 Complete Assembly & Labels

Applies to AP-SSP2596



37734

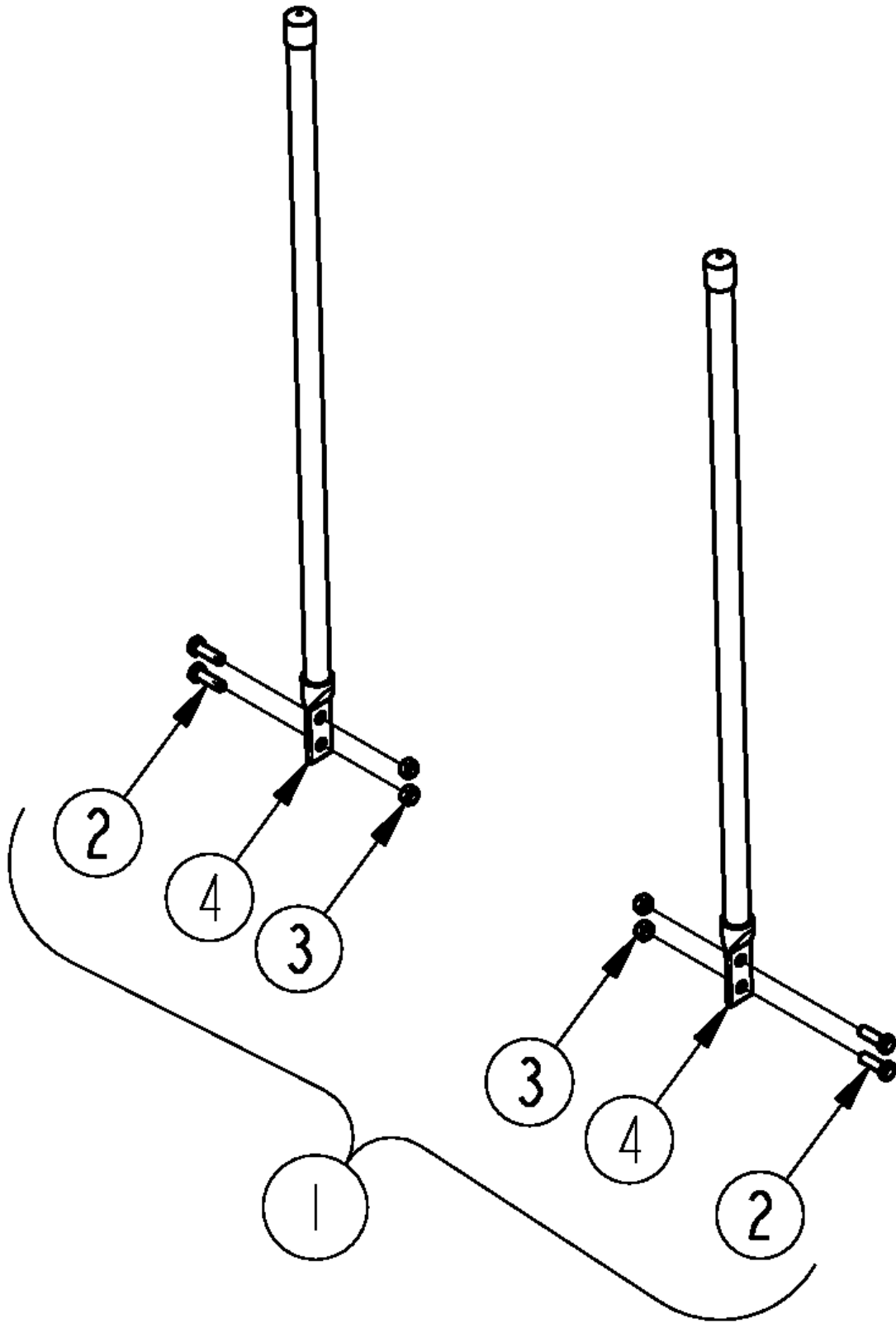
SSP25 Complete Assembly & Labels

Applies to AP-SSP2596

Ref	Part No.	Part Description	Comments	Revision
	Dwg 37734	Drawing Image Number		
1.	303-259D	RUBBER BLADE SUPPORT LONG		
2.	303-329H	AR400 SNOW PUSHER SKID SHOE		
3.	303-331H	SNOW PUSHER 96"		
4.	802-214C	RHSNB 1/2-13X1 1/4 GR5		
5.	802-440C	RHSNB 1/2-13X2 3/4 GR5		
6.	803-037C	NUT HEX WHIZ 1/2-13 PLT		
7.	816-817C	SNOW BLADE 1.5 X 8 X 96"		
8.	818-190C	DECAL FLAG		
9.	838-102C	DECAL WARNING FALLING HAZARD		
10.	838-106C	DECAL WARNING CRUSH ROCK RAKE		
11.	838-112C	DECAL DANGER PINCHING		
12.	838-293C	DECAL WARNING READ MANUAL		
13.	838-614C	DECAL REFLECTOR RED 2X9		
14.	838-615C	DECAL REFLECTOR AMBER 2X9		
15.	858-215C	DECAL ROLLOVER CRUSHING HAZARD		
16.	858-400C	DECAL KUBOTA 22"		
17.	858-485C	DECAL SSP2596 WHITE		

SSP15 Marker Edge

Applies to AP-SSP1572, AP-SSP1584, AP-SSP1596



26933

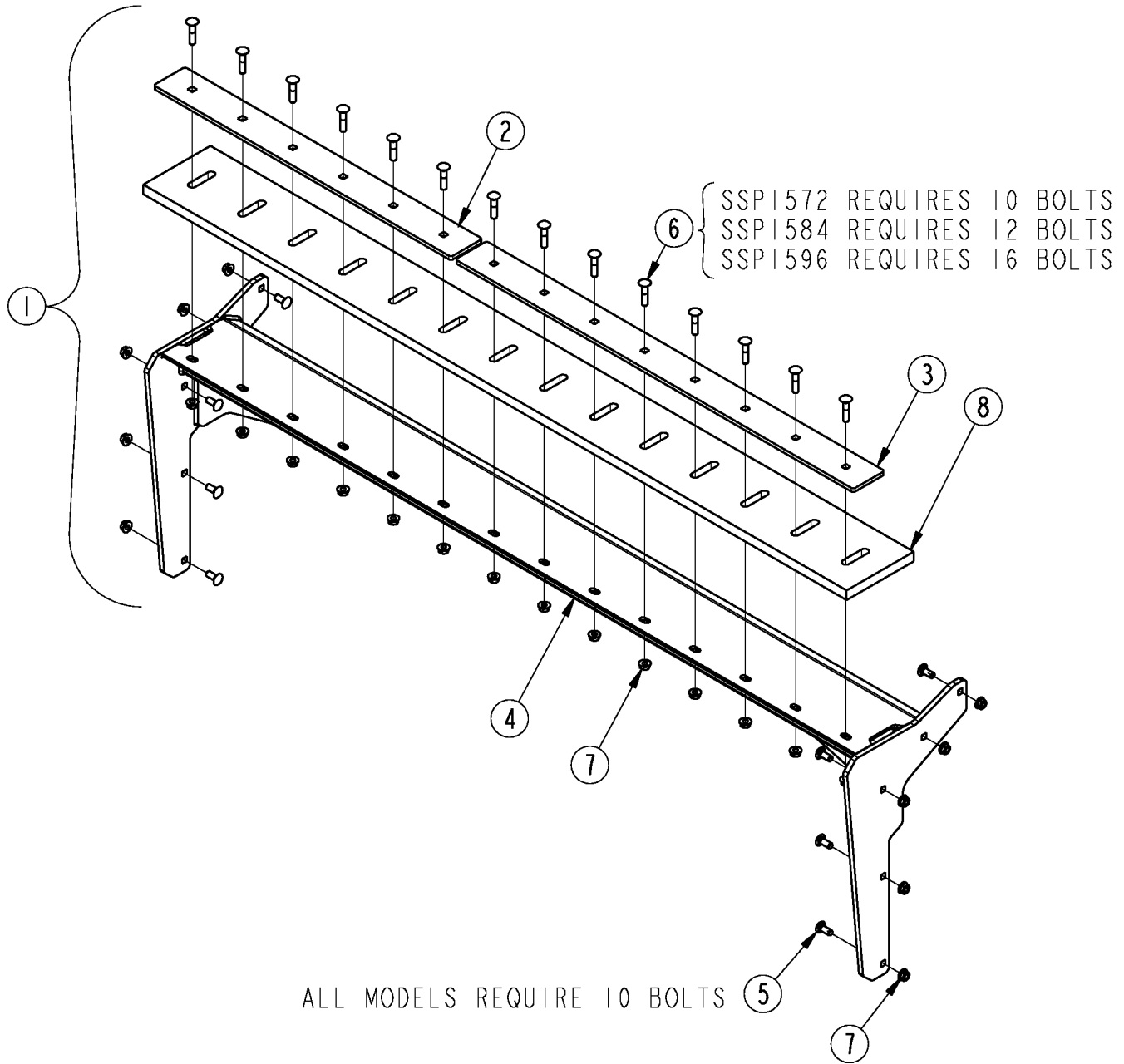
SSP15 Marker Edge

Applies to AP-SSP1572, AP-SSP1584, AP-SSP1596

Ref	Part No.	Part Description	Comments	Revision
	Dwg 26933	Drawing Image Number		
1.	323-026A	MARKER ASSY.		
2.	802-159C	HHCS 5/16-18X1 GR5		
3.	803-084C	NUT HEX NYLOCK 5/16-18 PLT		
4.	N/A	MARKER STICK		

SSP15 Pull Back

Applies to AP-SSP1572, AP-SSP1584, AP-SSP1596



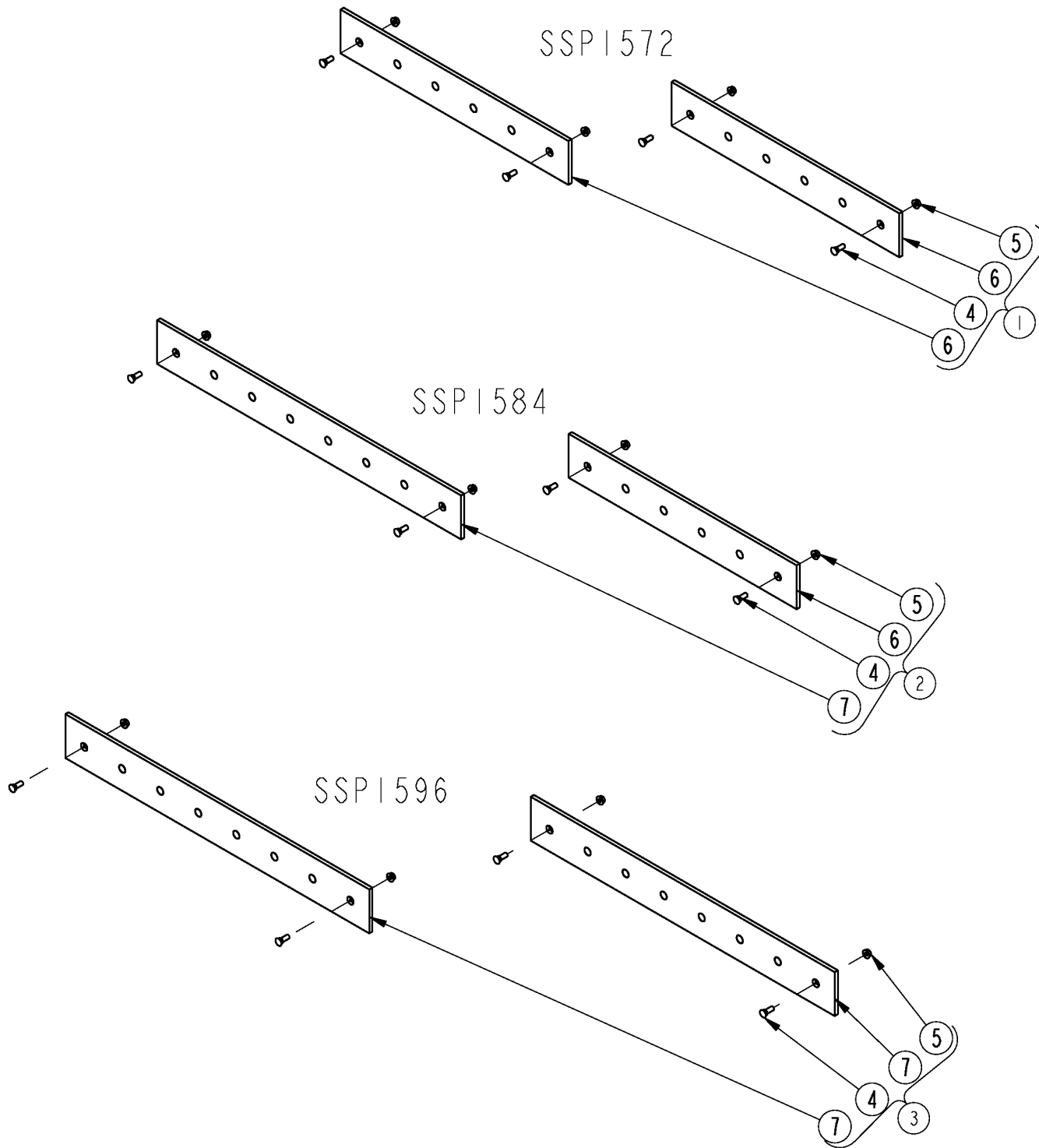
37398

SSP15 Pull Back**Applies to AP-SSP1572, AP-SSP1584, AP-SSP1596**

Ref	Part No.	Part Description	Comments	Revision
	Dwg 37398	Drawing Image Number		
1.	303-380A	SSP1572 PULL BACK ASSEMBLY		
1.	303-379A	SSP1584 PULL BACK ASSEMBLY		
1.	303-378A	SSP1596 PULL BACK ASSEMBLY		
2.	303-306D	RUBBER BLADE SUPPORT SHORT PB	AP-SSP1572 & AP-SSP1584	
2.	303-307D	RUBBER BLADE SUPPORT LONG PB	AP-SSP1596	
3.	303-306D	RUBBER BLADE SUPPORT SHORT PB	AP-SSP1572	
3.	303-307D	RUBBER BLADE SUPPORT LONG PB	AP-SSP1584 & AP-SSP1596	
4.	303-374H	WMT, SSP1572 PULL BACK		
4.	303-373H	WMT, SSP1584 PULL BACK		
4.	303-372H	WMT, SSP1596 PULL BACK		
5.	802-214C	RHSNB 1/2-13X1 1/4 GR5		
6.	802-250C	RHSNB 1/2-13X2 1/4 GR5		
7.	803-037C	NUT HEX WHIZ 1/2-13 PLT		
8.	816-814C	SNOW BLADE 1 X 8 X 72"	AP-SSP1572	
8.	816-815C	SNOW BLADE 1 X 8 X 84"	AP-SSP1584	
8.	816-816C	SNOW BLADE 1 X 8 X 96"	AP-SSP1596	

SSP15 Steel Blade Components

Applies to AP-SSP1572, AP-SSP1584, AP-SSP1596



37006

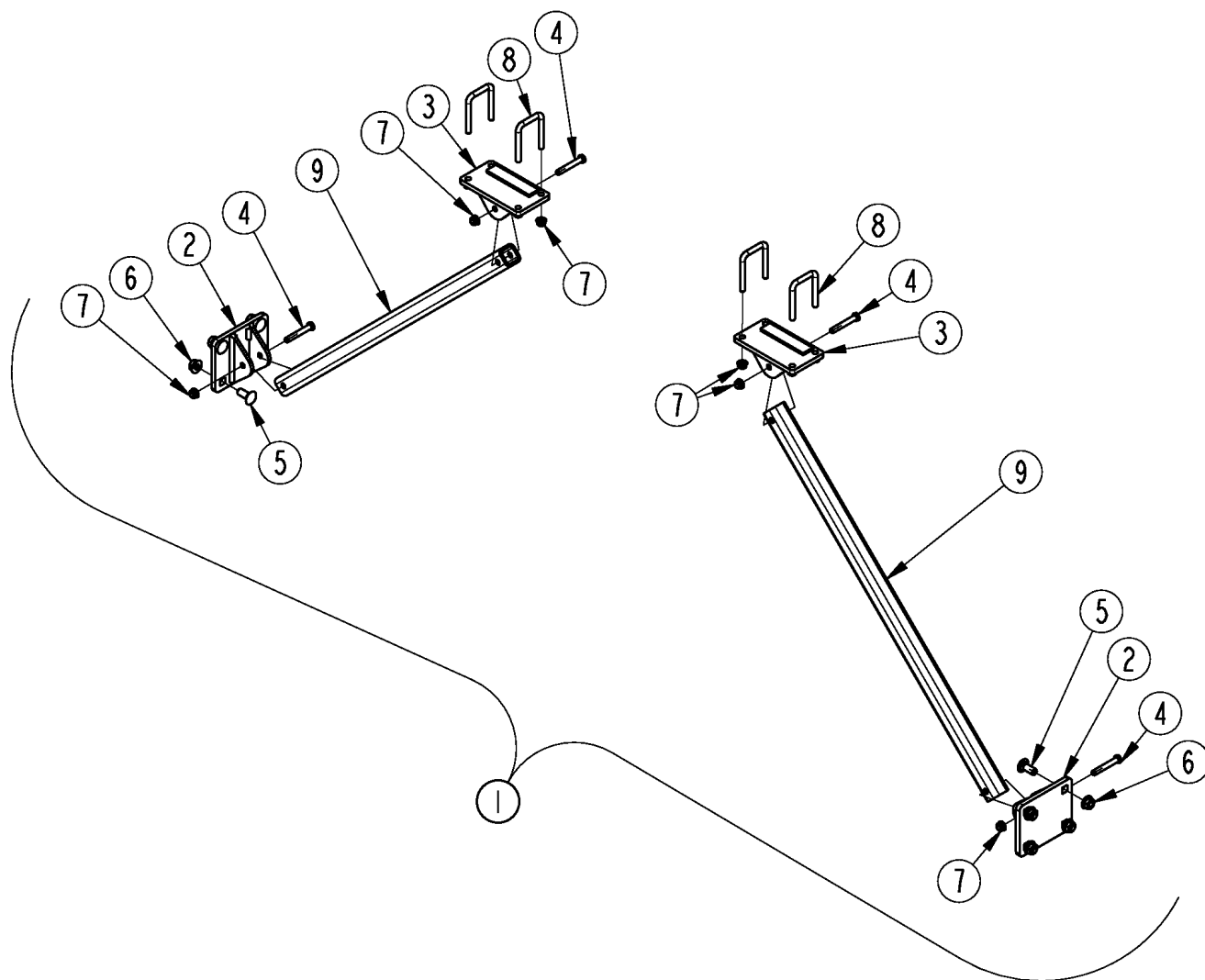
SSP15 Steel Blade Components

Applies to AP-SSP1572, AP-SSP1584, AP-SSP1596

Ref	Part No.	Part Description	Comments	Revision
	Dwg 37006	Drawing Image Number		
1.	303-349A	SSP STEEL BLADE ASSY 72"		
2.	303-350A	SSP STEEL BLADE ASSY 84"		
3.	303-351A	SSP STEEL BLADE ASSY 96"		
4.	802-354C	PLOW 1/2-13X1 1/2 GR5		
5.	803-037C	NUT HEX WHIZ 1/2-13 PLT		
6.	891-446C	STEEL CUTTING EDGE 3FT		
7.	891-447C	STEEL CUTTING EDGE 4FT		

SSP25 End Panel Braces

Applies to AP-SSP2596



37938

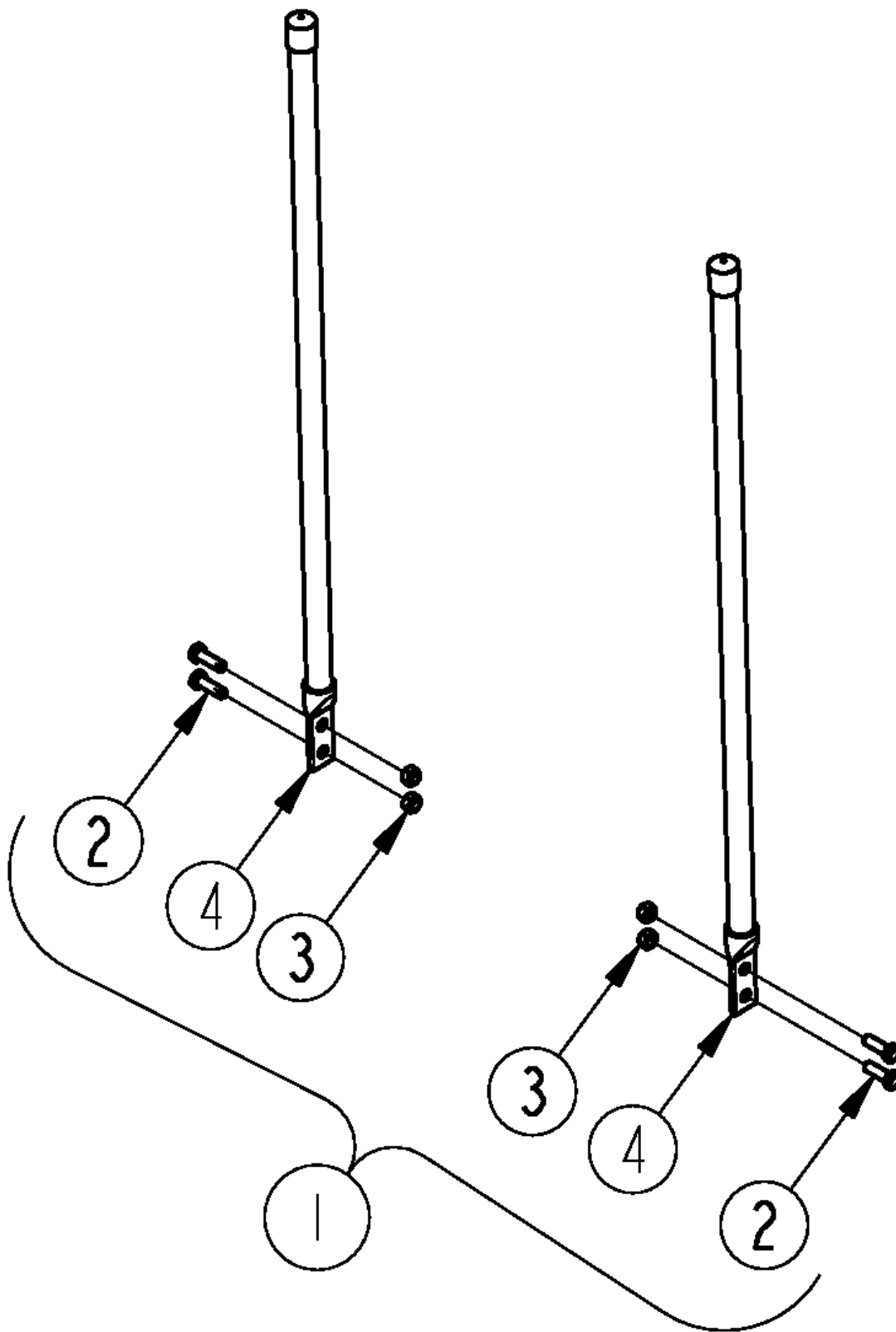
SSP25 End Panel Braces

Applies to AP-SSP2596

Ref	Part No.	Part Description	Comments	Revision
	Dwg 37938	Drawing Image Number		
1.	303-408A	END PANEL BRACES		
2.	303-407H	END PANEL SUPPORT MOUNT		
3.	303-409H	TOP SUPPORT MOUNT		
4.	802-114C	HHCS 3/8-16X2 1/2 GR5		
5.	802-214C	RHSNB 1/2-13X1 1/4 GR5		
6.	803-037C	NUT HEX WHIZ 1/2-13 PLT		
7.	803-209C	NUT FLANGE LOCK 3/8-16 PLT		
8.	806-166C	U-BOLT 3/8-16 X 2 1/32 X 3		
9.	303-340D	BRACE TUBE		

SSP25 Marker Edge

Applies to AP-SSP2596



26933

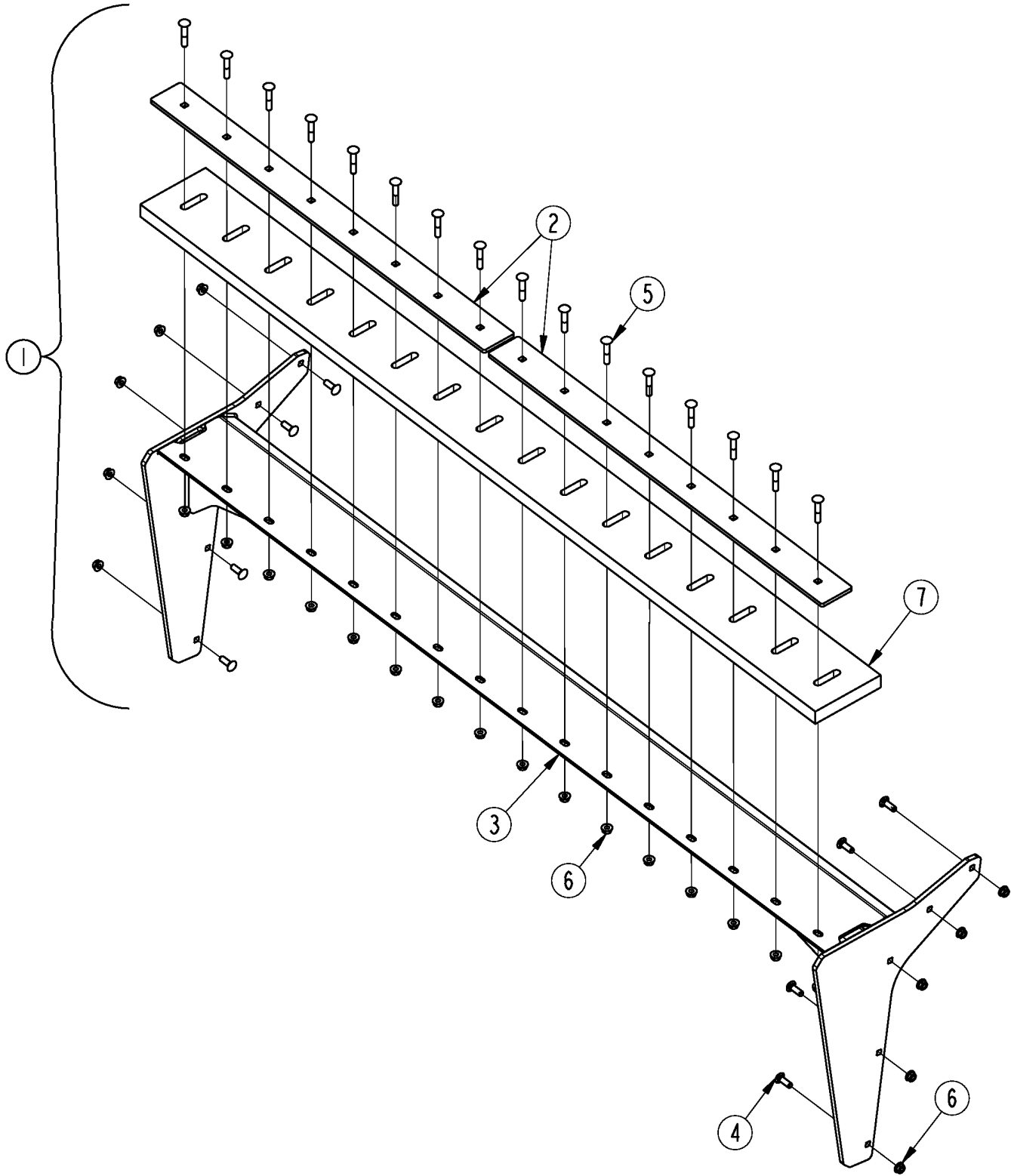
SSP25 Marker Edge

Applies to AP-SSP2596

Ref	Part No.	Part Description	Comments	Revision
	Dwg 26933	Drawing Image Number		
1.	323-026A	MARKER ASSY.		
2.	802-159C	HHCS 5/16-18X1 GR5		
3.	803-084C	NUT HEX NYLOCK 5/16-18 PLT		
4.	N/A	MARKER STICK		

SSP25 Pull Back

Applies to AP-SSP2596



37735

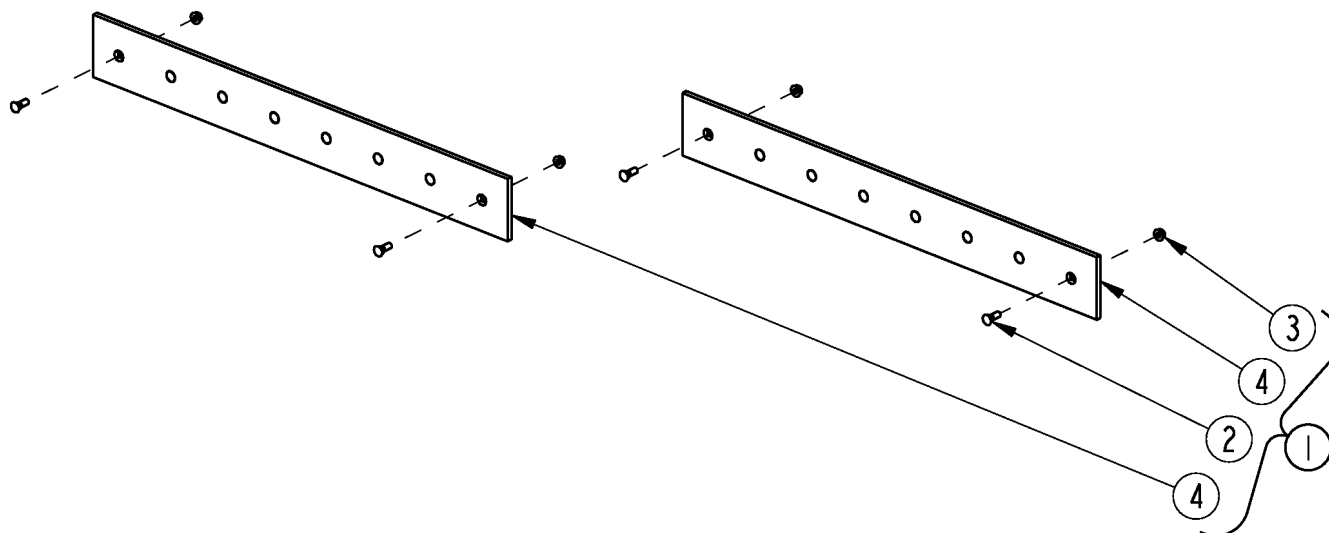
SSP25 Pull Back

Applies to AP-SSP2596

Ref	Part No.	Part Description	Comments	Revision
	Dwg 37735	Drawing Image Number		
1.	303-386A	SSP2596 PULL BACK ASSEMBLY		
2.	303-307D	RUBBER BLADE SUPPORT LONG PB		
3.	303-382H	WMT, SSP2596 PULL BACK		
4.	802-106C	RHSNB 1/2-13X1 1/2 GR5		
5.	802-440C	RHSNB 1/2-13X2 3/4 GR5		
6.	803-037C	NUT HEX WHIZ 1/2-13 PLT		
7.	816-817C	SNOW BLADE 1.5 X 8 X 96"		

SSP25 Steel Blade Components

Applies to AP-SSP2596



37736

SSP25 Steel Blade Components

Applies to AP-SSP2596

Ref	Part No.	Part Description	Comments	Revision
	Dwg 37736	Drawing Image Number		
1.	303-351A	SSP STEEL BLADE ASSY 96"		
2.	802-354C	PLOW 1/2-13X1 1/2 GR5		
3.	803-037C	NUT HEX WHIZ 1/2-13 PLT		
4.	891-447C	STEEL CUTTING EDGE 4FT		



Part Number Index

The Part Number Index is a numeric index of all part numbers included in this manual. The index shows what page(s) the part is used on.

Part Number	Page
303-258D	7
303-259D	7, 9
303-306D	13
303-307D	13, 21
303-329H	9
303-331H	9
303-340D	17
303-341H	7
303-342H	7
303-343H	7
303-344H	7
303-349A	15
303-350A	15
303-351A	15, 23
303-372H	13
303-373H	13
303-374H	13
303-378A	13
303-379A	13
303-380A	13
303-382H	21
303-386A	21
303-407H	17
303-408A	17
303-409H	17
323-026A	11, 19
802-106C	21
802-114C	17
802-159C	11, 19
802-183C	7
802-214C	9, 13, 17
802-250C	7, 13
802-354C	15, 23
802-440C	9, 21
803-037C	7, 9, 13, 15, 17, 21, 23
803-084C	11, 19
803-209C	17
806-166C	17
816-814C	7, 13
816-815C	7, 13
816-816C	7, 13
816-817C	9, 21
818-190C	7, 9
838-102C	7, 9
838-106C	7, 9
838-112C	7, 9
838-293C	7, 9
838-614C	7, 9
838-615C	7, 9
858-215C	7, 9
858-400C	7, 9
858-482C	7
858-483C	7
858-484C	7
858-485C	9
891-446C	15
891-447C	15, 23
Dwg 26933	11, 19
Dwg 37006	15
Dwg 37398	13
Dwg 37733	7
Dwg 37734	9
Dwg 37735	21
Dwg 37736	23
Dwg 37938	17
N/A	11, 19

This Page Intentionally Left Blank



KUBOTA TRACTOR CORPORATION

3401 Del Amo Blvd., Torrance, CA 90503, U.S.A.
Telephone: (310)370-3370

Western Division: 1175 S. Guild Ave., Lodi, CA 95240
Telephone: (209)334-9910

Central Division: 4855 FAA Blvd., Fort Worth, TX 76155
Telephone: (817)571-0900

Northern Division: 6300 at One Kubota Way, Groveport, OH 43125
Telephone: (614)835-1100

Southeast Division: 1025 Northbrook Parkway, Suwanee, GA 30024
Telephone: (770)995-8855

www.kubota.com
