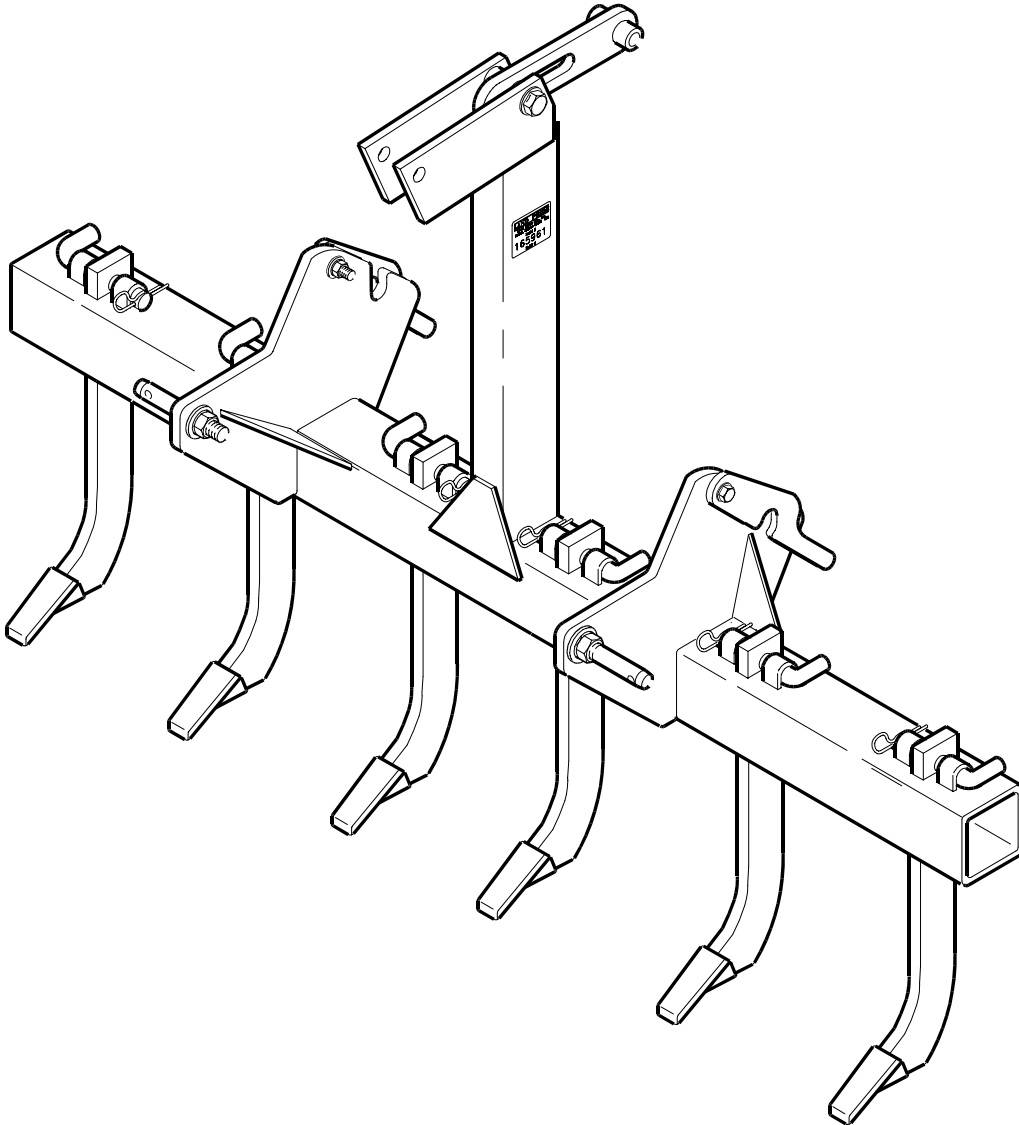


Scarifiers

SF2566 & SF2577



10401

302-188M
Operator's Manual



Read the Operator's manual entirely. When you see this symbol, the subsequent instructions and warnings are serious - follow without exception. Your life and the lives of others depend on it!

Cover photo may show optional equipment not supplied with standard unit.

© Copyright 2011 Printed 6/28/11



Important Safety Information1
Safety at All Times 1
Look For The Safety Alert Symbol 1

Introduction4
Application 4
Using This Manual 4
Owner Assistance 4
Serial Number 4

Section 1: Assembly and Set-Up5
SF25 Assembly 5
Accessory Attachments 5
Tractor Hook-Up 6

Section 2: Operating7
Operating Checklist 7
Transporting 7
General Operating Instructions 7
Scarifier Used Alone 7
Scarifier Used With a Landscape Rake 7
Scarifier Used with a Rear Blade 7
Final Comments 7
Un-hooking the Scarifier 8
Storage 8

Section 3: Adjustments9
Shank Settings 9

Section 4: Specifications & Capacities . .10

Section 5: Features & Benefits11

Section 6: Torque Values Chart12

Section 7: Warranty13



© Copyright 2011 All rights Reserved

Land Pride provides this publication “as is” without warranty of any kind, either expressed or implied. While every precaution has been taken in the preparation of this manual, Land Pride assumes no responsibility for errors or omissions. Neither is any liability assumed for damages resulting from the use of the information contained herein. Land Pride reserves the right to revise and improve its products as it sees fit. This publication describes the state of this product at the time of its publication, and may not reflect the product in the future.

Land Pride is a registered trademark.

All other brands and product names are trademarks or registered trademarks of their respective holders.

Printed in the United States of America.

Important Safety Information

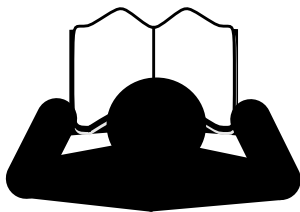
These are common practices that may or may not be applicable to the products described in this manual.

Safety at All Times

Thoroughly read and understand the instructions given in this manual before operation. Refer to the "Safety Label" section, read all instructions noted on them.

Do not allow anyone to operate this equipment who has not fully read and comprehended this manual and who has not been properly trained in the safe operation of the equipment.

- ▲ Operator should be familiar with all functions of the unit.
- ▲ Operate implement from the driver's seat only.
- ▲ Make sure all guards and shields are in place and secured before operating implement.
- ▲ Do not leave tractor or implement unattended with engine running.
- ▲ Dismounting from a moving tractor could cause serious injury or death.
- ▲ Do not allow anyone to stand between the tractor and implement while backing up to the implement.
- ▲ Keep hands, feet, and clothing away from power-driven parts.
- ▲ Wear snug fitting clothing to avoid entanglement with moving parts.
- ▲ Watch out for wires, trees, etc., when raising implement. Make sure all persons are clear of working area.
- ▲ Turning tractor too tight may cause implement to ride up on wheels. This could result in injury or equipment damage.
- ▲ Do not carry passengers on implement at any time.



Look For The Safety Alert Symbol

The SAFETY ALERT SYMBOL indicates there is a potential hazard to personal safety involved and extra safety precaution must be taken. When you see this symbol, be alert and carefully read the message that follows it. In addition to design and configuration of equipment, hazard control and accident prevention are dependent upon the awareness, concern, prudence and proper training of personnel involved in the operation, transport, maintenance and storage of equipment.

Be Aware of Signal Words

A Signal word designates a degree or level of hazard seriousness. The signal words are:

DANGER

Indicates an imminently hazardous situation which, if not avoided, will result in death or serious injury. This signal word is limited to the most extreme situations, typically for machine components that, for functional purposes, cannot be guarded.

WARNING

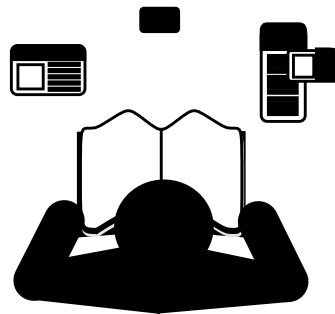
Indicates a potentially hazardous situation which, if not avoided, could result in death or serious injury, and includes hazards that are exposed when guards are removed. It may also be used to alert against unsafe practices.

CAUTION

Indicates a potentially hazardous situation which, if not avoided, may result in minor or moderate injury. It may also be used to alert against unsafe practices.

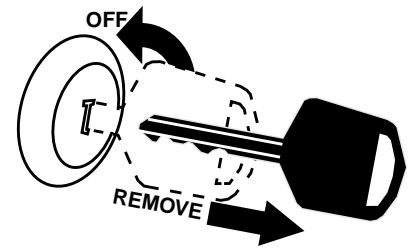
For Your Protection

- ▲ Thoroughly read and understand the "Safety Label" section, read all instructions noted on them.



Shutdown and Storage

- ▲ Lower machine to ground, put tractor in park, turn off engine, and remove the key.
- ▲ Detach and store implements in a area where children normally do not play. Secure implement by using blocks and supports.



Parts Manual QR Locator

The QR (Quick Reference) code on the front cover and to the left will take you to the Parts Manual for this equipment. Download the appropriate App on your smart phone, open the App, point your phone on the QR code and take a picture.



Dealer QR Locator

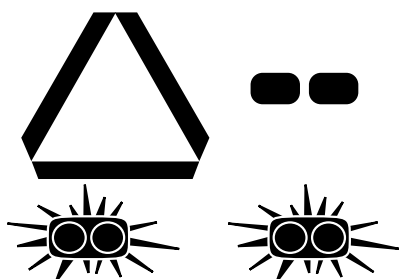
The QR code on the left will link you to available dealers for Land Pride products. Refer to Parts Manual QR Locator on this page for detailed instructions.

Important Safety Information

These are common practices that may or may not be applicable to the products described in this manual.

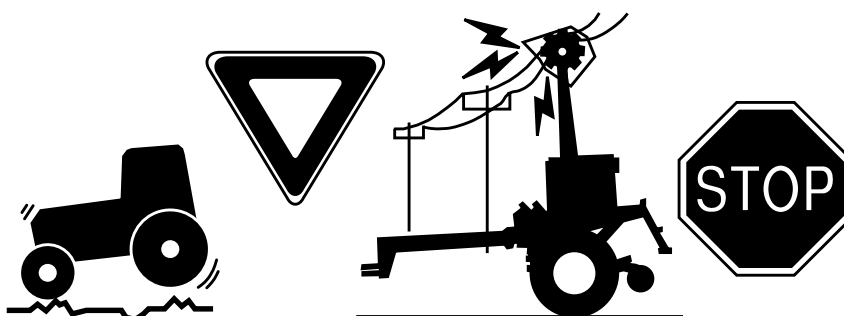
Use Safety Lights and Devices

- ▲ Slow moving tractors, self-propelled equipment, and towed implements can create a hazard when driven on public roads. They are difficult to see, especially at night.
- ▲ Flashing warning lights and turn signals are recommended whenever driving on public roads.



Transport Machinery Safely

- ▲ Comply with state and local laws.
- ▲ Maximum transport speed for implement is 20 mph. **DO NOT EXCEED.** Never travel at a speed which does not allow adequate control of steering and stopping. Some rough terrain require a slower speed.
- ▲ Sudden braking can cause a towed load to swerve and upset. Reduce speed if towed load is not equipped with brakes.
- ▲ Use the following maximum speed - tow load weight ratios as a guideline:
 - 20 mph** when weight is less than or equal to the weight of tractor.
 - 10 mph** when weight is double the weight of tractor.
- ▲ **IMPORTANT:** Do not tow a load that is more than double the weight of tractor.



Use A Safety Chain

- ▲ A safety chain will help control drawn machinery should it separate from the tractor drawbar.
- ▲ Use a chain with the strength rating equal to or greater than the gross weight of the towed machinery.
- ▲ Attach the chain to the tractor drawbar support or other specified anchor location. Allow only enough slack in the chain to permit turning.
- ▲ Do not use safety chain for towing.



Practice Safe Maintenance

- ▲ Understand procedure before doing work. Use proper tools and equipment, refer to Operator's Manual for additional information.
- ▲ Work in a clean dry area.
- ▲ Lower the implement to the ground, put tractor in park, turn off engine, and remove key before performing maintenance.
- ▲ Allow implement to cool completely.
- ▲ Do not grease or oil implement while it is in operation.
- ▲ Inspect all parts. Make sure parts are in good condition & installed properly.
- ▲ Remove buildup of grease, oil or debris.
- ▲ Remove all tools and unused parts from implement before operation.

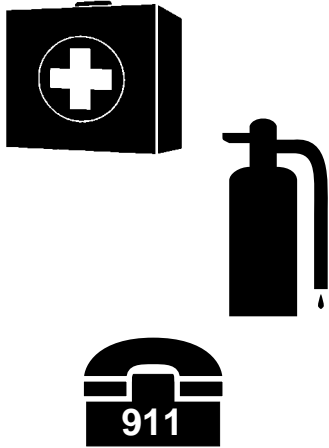


Important Safety Information

These are common practices that may or may not be applicable to the products described in this manual.

Prepare for Emergencies

- ▲ Be prepared if a fire starts.
- ▲ Keep a first aid kit and fire extinguisher handy.
- ▲ Keep emergency numbers for doctor, ambulance, hospital and fire department near phone.



Wear Protective Equipment

- ▲ Wear protective clothing and equipment appropriate for the job. Avoid loose fitting clothing.
- ▲ Prolonged exposure to loud noise can cause hearing impairment or hearing loss. Wear suitable hearing protection such as earmuffs or earplugs.
- ▲ Operating equipment safely requires the full attention of the operator. Avoid wearing radio headphones while operating machinery.



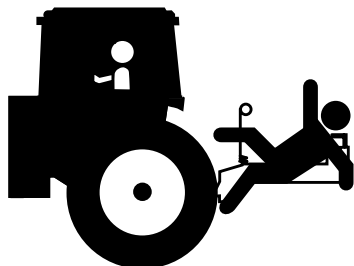
Avoid High Pressure Fluids Hazard

- ▲ Escaping fluid under pressure can penetrate the skin causing serious injury.
- ▲ Avoid the hazard by relieving pressure before disconnecting hydraulic lines or performing work on the system.
- ▲ Make sure all hydraulic fluid connections are tight and all hydraulic hoses and lines are in good condition before applying pressure to the system.
- ▲ Use a piece of paper or cardboard, NOT BODY PARTS, to check for suspected leaks.
- ▲ Wear protective gloves and safety glasses or goggles when working with hydraulic systems.
- ▲ If an accident occurs, see a doctor immediately. Any fluid injected into the skin must be treated within a few hours or gangrene may result.



Keep Riders Off Machinery

- ▲ Riders obstruct the operator's view, they could be struck by foreign objects or thrown from the machine.
- ▲ Never allow children to operate equipment.



Tire Safety

- ▲ Tire changing can be dangerous and should be performed by trained personnel using the correct tools and equipment.
- ▲ When inflating tires, use a clip-on chuck and extension hose long enough to allow you to stand to one side and NOT in front of or over the tire assembly. Use a safety cage if available.
- ▲ When removing and installing wheels, use wheel handling equipment adequate for the weight involved.



Handle Chemicals Properly

- ▲ Protective clothing should be worn.
- ▲ Handle all chemicals with care.
- ▲ Follow instructions on container label.
- ▲ Agricultural chemicals can be dangerous. Improper use can seriously injure persons, animals, plants, soil, and property.
- ▲ Inhaling smoke from any type of chemical fire is a serious health hazard.
- ▲ Store or dispose of unused chemicals as specified by the chemical manufacturer.



Introduction

Land Pride welcomes you to the growing family of new product owners.

This Scarifier has been designed with care and built by skilled workers using quality materials. Proper assembly, maintenance and safe operating practices will help you get years of satisfactory use from the machine.

Application

The SF2566 and SF2577 Scarifiers are designed and built by Land Pride to perform ripping, loosening, and renovation or reshaping of the soil profile. These Scarifiers offer 60" and 72" working widths and are adapted for Category 1 3-point hitch mounting to tractors with 25 to 50 horsepower capabilities. Both models are designed for tandem attachment and will work in unison with Land Pride 15 and 25 Series Landscape Rakes or Land Pride Rear Blades.

The versatile action of a Scarifier that can be used simultaneously with a landscape rake or rear blade makes the Land Pride Scarifiers perfectly suited for use by landscapers, contractors, and rental yards. These units have applications at housing and road construction projects, golf courses, terracing sites, run-off control projects, and reforestation sights.

See “**Specifications & Capacities**” on page 10 and “**Features & Benefits**” on page 11 for additional information and performance enhancing options.

Using This Manual

- This Operator’s Manual is designed to help familiarize you with safety, assembly, operation, adjustments, troubleshooting, and maintenance. Read this manual and follow the recommendations to help ensure safe and efficient operation.
- The information contained within this manual was current at the time of printing. Some parts may change slightly to assure you of the best performance.
- To order a new Operator’s or Parts Manual contact your authorized dealer. Manuals can also be downloaded, free-of-charge from our website at www.landpride.com.

Terminology

“Right” or “Left” as used in this manual is determined by facing the direction the machine will operate while in use unless otherwise stated.

Definitions

IMPORTANT: A special point of information related to the following topic. Land Pride’s intention is this information must be read & noted before continuing.

NOTE: A special point of information that the operator should be aware of before continuing.

Owner Assistance

The Warranty Registration card should be filled out by the dealer at the time of purchase. This information is necessary to provide you with quality customer service.

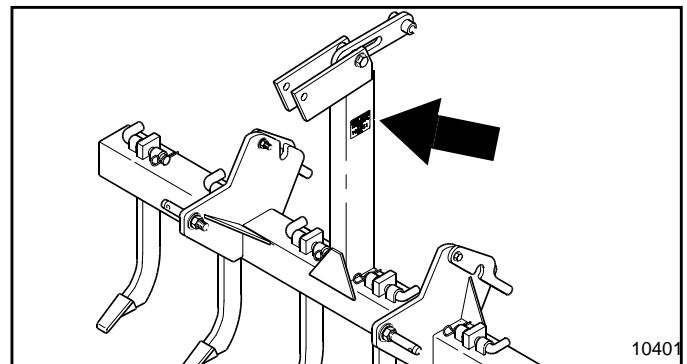
If customer service or repair parts are required contact a Land Pride dealer. A dealer has trained personnel, repair parts and equipment needed to service the Scarifier.

The parts on your Scarifier have been specially designed and should only be replaced with genuine Land Pride parts. Therefore, should your Scarifier require replacement parts go to your Land Pride Dealer.

Serial Number

Model No. _____ Serial No. _____

For quick reference and prompt service, record model number and serial number in the spaces provided above and again on warranty page 13. Always provide model number and serial number when ordering parts and in all correspondences with your Land Pride dealer. Refer to Figure 1 for location of your serial number plate.



Serial Number Plate Location
Figure 1

Further Assistance

Your dealer wants you to be satisfied with your new Scarifier. If for any reason you do not understand any part of this manual or are not satisfied with the service received, the following actions are suggested:

1. Discuss the matter with your dealership service manager making sure he is aware of any problems you may have and that he has had the opportunity to assist you.
2. If you are still not satisfied, seek out the owner or general manager of the dealership, explain the problem and request assistance.
3. For further assistance write to:

Land Pride Service Department
1525 East North Street
P.O. Box 5060
Salina, Ks. 67402-5060

E-mail address
lp servicedept@landpride.com

Section 1: Assembly and Set-Up

SF25 Assembly

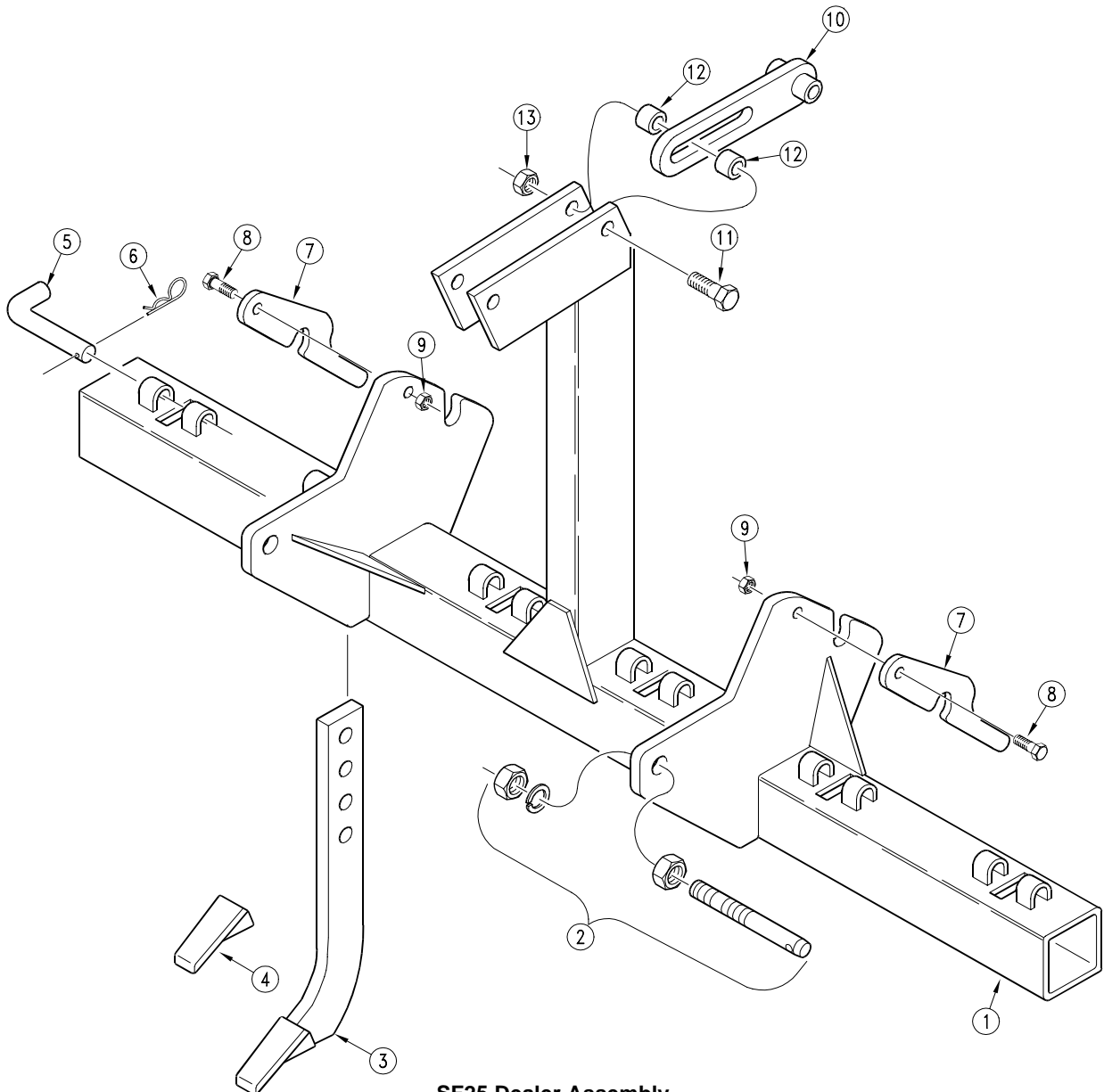
Refer to Figure 1-1:

1. Attach 3-point upper link (#10) to Scarifier frame with hardware as indicated, making certain upper link is free to pivot.
2. Position Scarifier frame in an upright, stable position on suitable supports or attach to tractor 3-point hitch.
3. Insert shanks (#3) into shank tube from bottom side with tips pointing towards tractor. Position shank to desired depth and secure with shank lock pin (#5) and clip (#6).

Accessory Attachments

The Scarifier is designed and built by Land Pride for piggyback attachment and simultaneous use of Land Pride 15 and 25 Series Landscape Rakes or 15 and 25 Series Rear Blades. Attach Landscape Rake or Rear Blade to Scarifier as follows:

1. Swing lock handle (#7) up and out of the way.
2. Lower frame hitch pins of rear blade or landscape rake into slot and swing lock handle back to lock hitch pins in place.
3. Attach upper link (#10) to upper hitch of rear blade or landscape rake frame. Top hitch pin and linch pins are to be furnished by customer.



SF25 Dealer Assembly
Figure 1-1

14626

Section 1: Assembly and Set-Up

Tractor Hook-Up

Refer to Figure1-2:

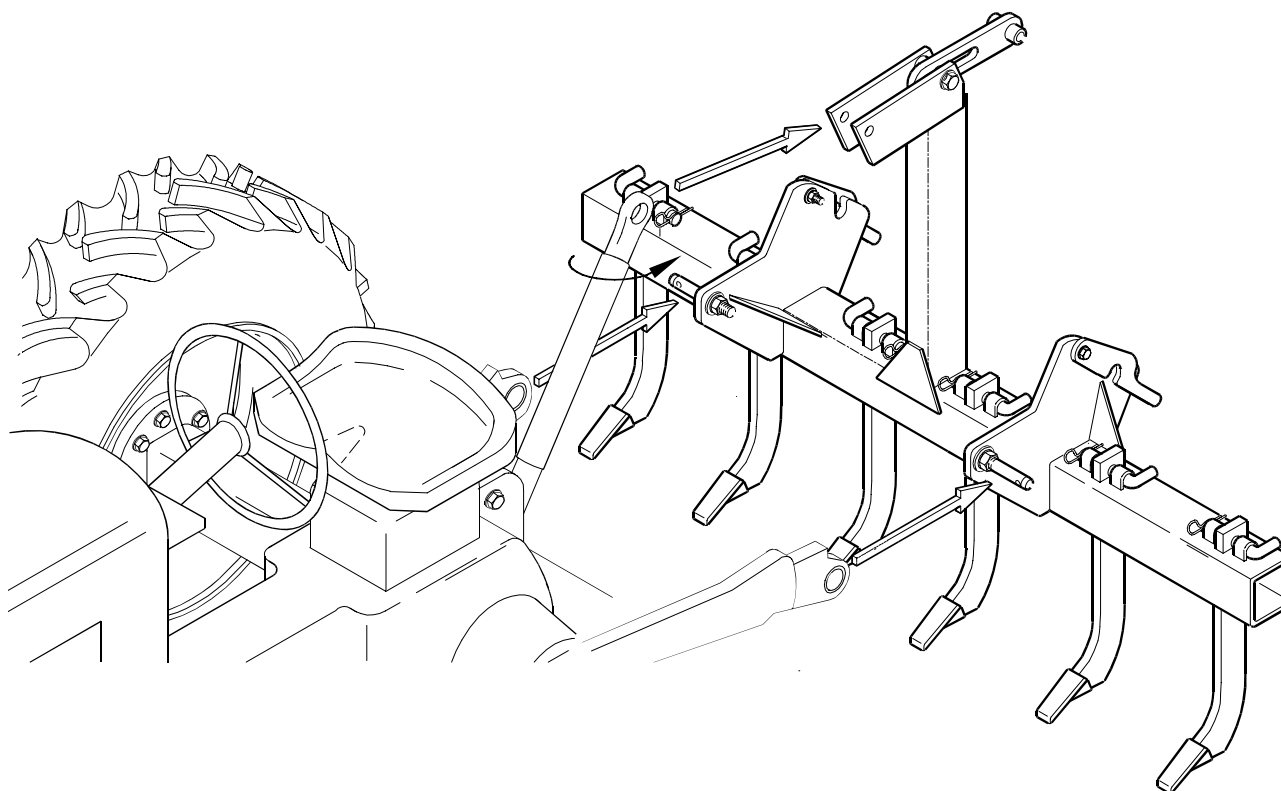
DANGER!

Tractor hook-up to equipment is dangerous and can result in serious injury or death. Do not allow anyone to stand between the Scarifier and tractor during hook-up operations. Do not operate the hydraulic 3-point lift controls while someone is directly behind the tractor or near the Scarifier.

A 3-Point Category I is required. The lower 3-Point arms of the 3-Point hitch must be stabilized to prevent side-to-side movement. Most tractors have sway blocks or adjustable chains for this purpose.

1. Locate on a flat and level concrete surface.
2. Slowly back tractor up to the Scarifier while using the tractor's 3-point hydraulic control to align the lower hitch arms ball swivels with the hitch lugs on the Scarifier.

3. Engage tractor park brake, shut tractor engine off and remove key before dismounting from tractor.
4. Attach lower arms to the hitch pins and secure with linch pins. (Linch pins supplied by customer)
5. Connect top center link to the upper hitch using customer supplied clevis pin and linch pin. If required, start tractor and slowly raise 3-point hitch about 1-2" to align center link with Scarifier center hitch pin hole.
6. Ensure that lower hitch arms are blocked to prevent excessive side movement.
7. Return to the tractor and slowly operate the controls up and down to check for clearance between Scarifier and tractor tires, frame and drawbar. Move or remove the drawbar if it interferes with the Scarifier.
8. Manually adjust one of the two Lower lift arms up or down to level the Scarifier from left to right.
9. Manually adjust the length of the top center link to level the Scarifier from front to rear.



24711

Tractor Hook-Up
Figure1-2

Section 2: Operating

Operating Checklist

Hazard control and accident prevention are dependent upon the awareness, concern, prudence and proper training involved in the operation, transport, maintenance and storage of the Scarifier. Therefore, it is absolutely essential that no one operates the Scarifier without first having read, fully understood and become totally familiar with the Operator's Manual. Make sure the operator has paid particular attention to:

- **Important Safety Information**, pages 1 to 3
- **Section 1: Assembly and Set-Up**, page 5
- **Section 2: Operating**, page 7
- **Section 3: Adjustments**, page 9

Make the following inspections after attaching the Scarifier to the tractor. See "Tractor Hook-Up" on page 6.

1. Inspect tractor safety equipment to make sure it is in good working condition.
2. Carefully raise and lower the implement to ensure that the drawbar, tires, and other equipment on the tractor do not contact the frame.
3. Check initially and periodically for loose bolts and pins. See "Torque Values Chart for Common Bolt Sizes" on page 12.

Transporting



CAUTION!

When traveling on public roads whether at night or during the day, use accessory light and devices for adequate warning to operators of other vehicles. Comply with all federal, state and local laws.

1. When raising the Scarifier to transport position, be sure that the equipment does not make contact with the tractor and tractor drawbar. Move or remove drawbar if it interferes with the Scarifier.
2. Be sure to reduce tractor ground speed when turning; and, leave enough clearance so that the Scarifier does not contact obstacles such as buildings, trees or fences.
3. Select a safe ground travel speed when transporting from one area to another. When traveling on roadways, transport in such a way that faster moving vehicles may pass you safely.
4. When traveling over rough or hilly terrain, shift tractor to a lower gear.

General Operating Instructions

Before using your Land Pride Scarifier, it is very important that you read the Operator's Manual. The SF2566 and SF2577 Scarifiers are designed and built by Land Pride for piggyback attachment and simultaneous use of the Land Pride 15 and 25 Series Landscape Rakes or 15 and 25 Series Rear Blades. This dual capability makes it very important that you understand

how to properly adjust your Scarifier shanks for proper simultaneous use with either a rake or a blade. This information is found in your Operator's Manual under "Shank Settings" on page 9.

Scarifier Used Alone

It is not absolutely necessary that another attachment be used in unison with the Land Pride Scarifier. Scarifying alone is usually done to loosen the soil profile for planting of trees or to increase soil percolation in order to eliminate standing water problems.

When using the Scarifier alone, you should be able to rip and loosen soil to the depth you can sink the shank tips and still maintain forward pulling momentum. The more compacted the soil, the more horsepower it will take to get the job done. In any case, you will want to use a lower gear selection and you may need to make more than one pass. Progressive lengthening of the shanks and multiple passes may be required to achieve the maximum depth.

Scarifier Used With a Landscape Rake

Using your Scarifier in tandem with a landscape rake is a good combination for removing 1" to 4" size rocks that have become imbedded in the topsoil.

Set the rake angle to move the loosened rocks to the desired side. Set the Scarifier shank tips to an appropriate depth below the bottom of the rake teeth. See "Shank Settings" on page 9.

As you travel forward loosening the ground, the rake should separate the rocks and roll them off to the side. If the soil is breaking into clumps that are too large, raise the Scarifier shanks and continue.

Scarifier Used with a Rear Blade

Using a rear blade in tandem with a Scarifier is a combination tool for totally renovating or modifying the soil profile.

When you want to change the grade of a certain area, set the rear blade at the appropriate angle and set the shank tips to your choice of working depth below the blade. See "Shank Settings" on page 9.

As you travel forward loosening the soil, the rear blade will redistribute the dirt to the side you have chosen with your blade angle setting. If the soil is breaking into clumps larger than you want, raise the shank tips until you achieve the desired working consistency.

Final Comments

A little practice and experience working with the different attachment combinations and adjustments that are possible with your Land Pride Scarifier should make you highly effective in a very short amount of time.

See Section 4: Specifications & Capacities on page 10 and "Section 5: Features & Benefits" on page 11 for additional information and performance enhancing options.

Un-hooking the Scarifier

WARNING!

Scarifiers, without a rake or rear blade attached, can tip over while un-hooking from a tractor. Secure Scarifier with bracing before unhooking from the unit.

1. Park on a level solid surface.
2. Lower Scarifier until teeth are resting on level ground or until its main beam is resting on solid supports.
3. Engage tractor park brake, shut tractor engine off and remove key before dismounting from tractor.
4. Stabilize Scarifier with bracing before un-hooking tractor's 3-point arms. Make sure bracing is secure and will not slip while un-hooking.
5. Un-hook 3-point hitch from tractor. Reinstall hitch pins, linch pins and hair pin cotters in Scarifier hitch for safe keeping.
6. Remove bracing and rotate Scarifier down so that it is laying on the ground or use auxiliary supports such as post planted in the ground to prevent the possibility of the unit tipping over.

Storage

Clean, inspect, service and make necessary repairs to the Scarifier when parking it for long periods and when parking it at the end of a working season. This will help ensure that the Scarifier is ready for field use the next time you hook-up to it.

1. Clean off any dirt or grease that may have accumulated on the Scarifier. Scrape off compacted dirt and then wash the surface thoroughly with a garden hose.
2. Check teeth for wear and replace if necessary.
3. Inspect Scarifier for loose, damaged or worn parts. Adjust and tighten loose parts or replace if needed.
4. Clean dirt, oil and grease from areas where paint has been worn, chipped or scratched. Prime bare metal surfaces after cleaning and repaint to prevent rust. Ask your dealer for Land Pride aerosol touch-up paint. They are also available in touch-up bottles with brush, quarts and gallon sizes by adding TU, QT or GL to the end of the aerosol part number.

Land Pride Aerosol Touch-up Paint	
Part No.	Part Description
821-011C	PAINT LP BEIGE AEROSOL SPRAY CAN
821-002C	PAINT LP BLACK AEROSOL SPRAY CAN
821-066C	PAINT ORANGE AEROSOL SPRAY CAN

5. Replace all damaged or missing decals.
6. Apply a light coat of oil or grease may be applied to the teeth to minimize oxidation.
7. Follow unhooking instructions when disconnecting Scarifier from tractor. Refer to "Un-hooking the Scarifier" on the left hand side of this page.
 - Store Scarifier in a clean, dry place. Inside storage will reduce maintenance and make for a longer Scarifier life.
 - Lay unit down on the ground or ensure that the main frame is stable by using auxiliary supports such as posts planted in the ground to prevent the possibility of the unit tipping over.

Section 3: Adjustments

Shank Settings

It is very important to understand how to properly adjust the Scarifier shanks when working this unit simultaneous with either the LR15 and LR25 Series Landscape Rake or RB15 and RB25 Series Rear Blade.

Refer to Figure 1-1 on page 5:

1. Remove hairpin (#6) and shank lock pin (#5).
2. Adjust each shank up or down to the desired hole location. See Shank Settings Table below for distances above and below auxiliary equipment.
3. Reinsert shank lock pin (#5) and secure in place with hair pin (#6).

Shank Settings

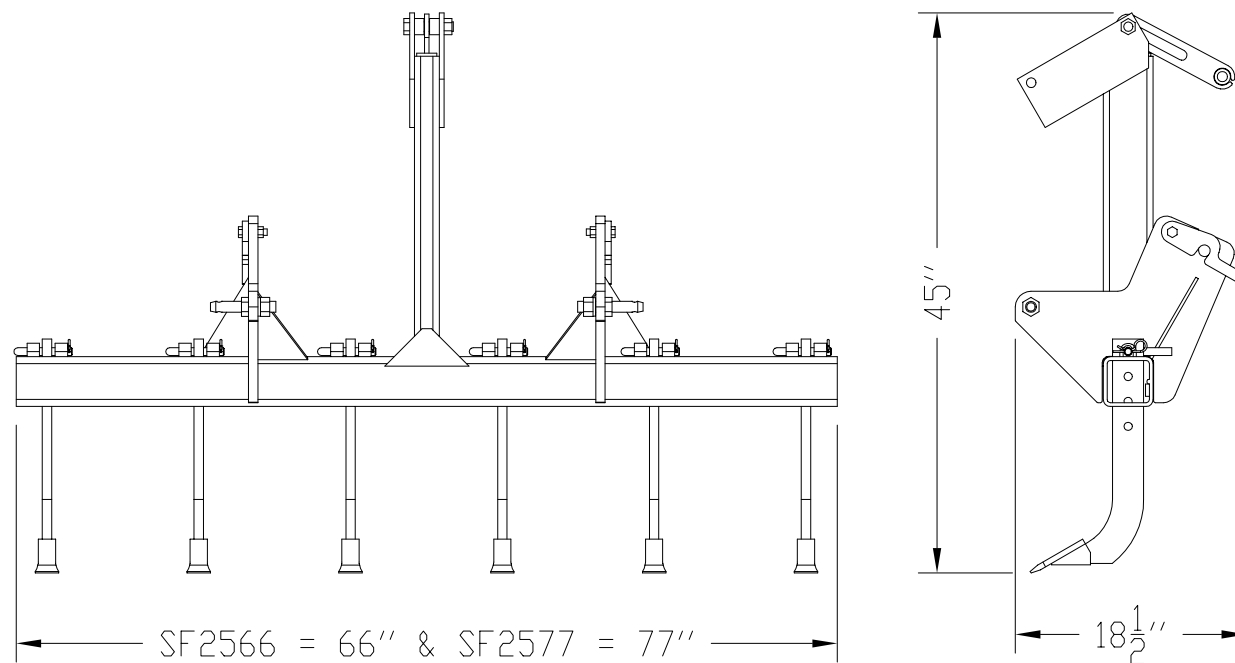
LR15 & LR25 Series Landscape Rakes		LR15 & LR25 Series Rear Blade	
Shank Hole Position	Distance From Tip of Rake Teeth	Shank Hole Position	Distance From Blade Cutting Edge
Top Hole	4 1/2" Below	Top Hole	4" Below
2nd Hole	2 1/2" Below	2nd Hole	2" Below
3rd Hole	1/2" Below	3rd Hole	Even with cutting edge
Bottom Hole	1 1/2" Above	Bottom Hole	2" Above

Table of Contents

Section 4: Specifications & Capacities



SF25 Series		
	SF2566	SF2577
Scarifier Width	66"	77"
Working Width	60"	72"
Approximate Weight/LBS.	208	235
Number of Shanks	6	7
Number of Adjustments	4 adjustments in 2" increments	
Horsepower Rating/Engine	25 to 50 HP	
Hitch Type	Limited Cat.1 with Floating Top Link for Second Implement	
Shank Type	3/4" x 2 1/2" Heat Treated Spring Steel Shanks with Dimpled-On Tips	



27517



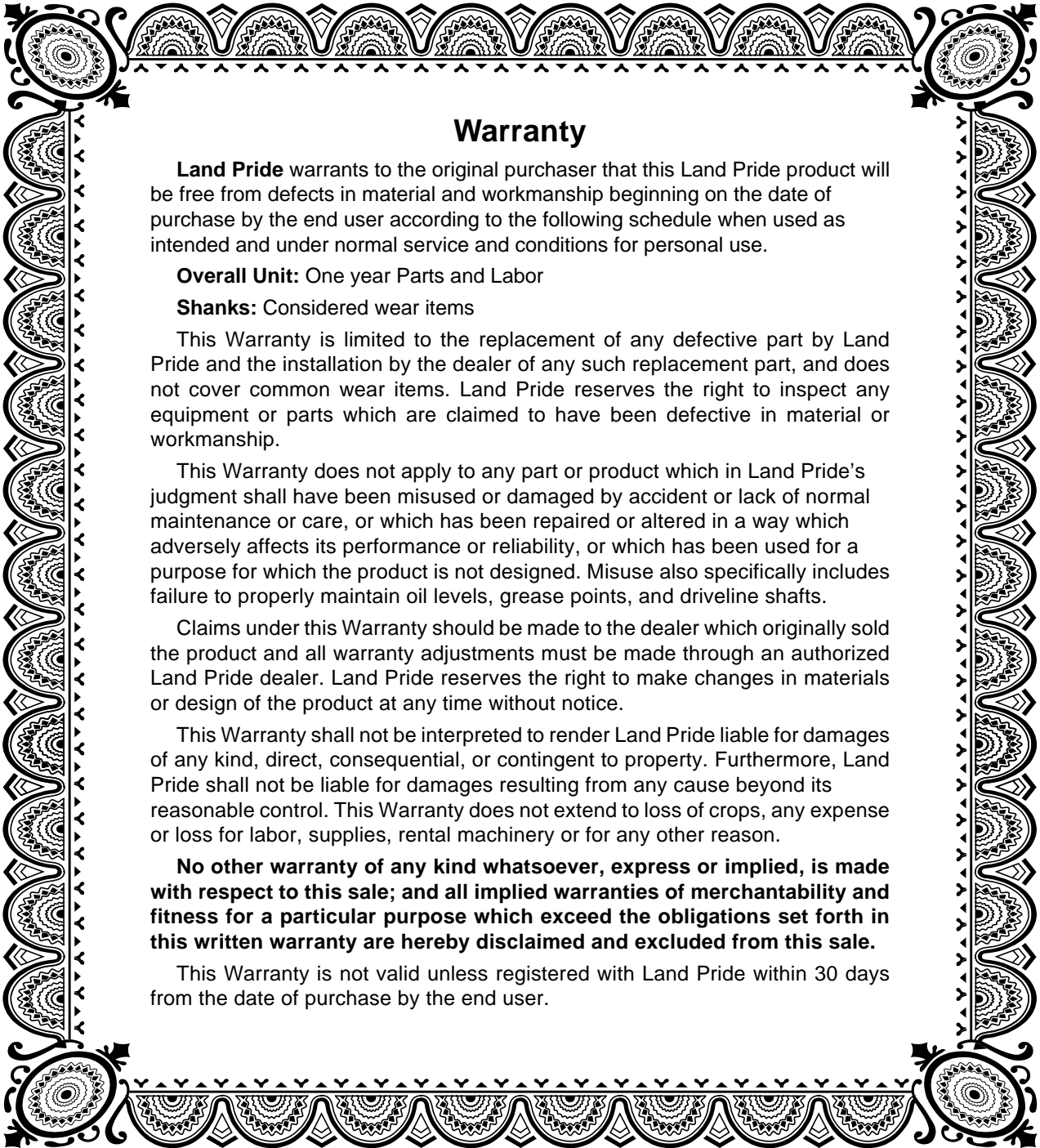
SF25 Series

Features	Benefits
Working widths	60" & 72"
Tractor HP range	25-50 HP
Cat 1 3-point hitch	For easy attachment to a wide range of tractors
Four ripping depths	Good variation in ripping depth.
Heat treated steel shanks	Won't bend or break.
Replaceable shank tips	Can be easily replaced when damaged or worn without having to replace entire shank.
Rear hitch with floating top link	Allows for second implement to work in conjunction with the Scarifier such as a Landscape Rake. Compatible with Land Pride 15 & 25 Series Rakes and Blades.
5/16" Wall thickness on the shank tube	High tensile strength to take the pressure from the shanks.
5/16" x 1" Full length reinforcement bar	Adds additional strength to shank tube right behind shank where pressure is applied while dragging through the ground.
Warranty	One year parts and labor.

Section 6: Torque Values Chart

Torque Values Chart for Common Bolt Sizes													
Bolt Size (Inches)	Bolt Head Identification						Bolt Size (Metric)	Bolt Head Identification					
	Grade 2		Grade 5		Grade 8			Class 5.8		Class 8.8		Class 10.9	
in-tpi ¹	N-m ²	ft-lb ³	N-m	ft-lb	N-m	ft-lb	mm x pitch ⁴	N-m	ft-lb	N-m	ft-lb	N-m	ft-lb
1/4" - 20	7.4	5.6	11	8	16	12	M 5 X 0.8	4	3	6	5	9	7
1/4" - 28	8.5	6	13	10	18	14	M 6 X 1	7	5	11	8	15	11
5/16" - 18	15	11	24	17	33	25	M 8 X 1.25	17	12	26	19	36	27
5/16" - 24	17	13	26	19	37	27	M 8 X 1	18	13	28	21	39	29
3/8" - 16	27	20	42	31	59	44	M10 X 1.5	33	24	52	39	72	53
3/8" - 24	31	22	47	35	67	49	M10 X 0.75	39	29	61	45	85	62
7/16" - 14	43	32	67	49	95	70	M12 X 1.75	58	42	91	67	125	93
7/16" - 20	49	36	75	55	105	78	M12 X 1.5	60	44	95	70	130	97
1/2" - 13	66	49	105	76	145	105	M12 X 1	90	66	105	77	145	105
1/2" - 20	75	55	115	85	165	120	M14 X 2	92	68	145	105	200	150
9/16" - 12	95	70	150	110	210	155	M14 X 1.5	99	73	155	115	215	160
9/16" - 18	105	79	165	120	235	170	M16 X 2	145	105	225	165	315	230
5/8" - 11	130	97	205	150	285	210	M16 X 1.5	155	115	240	180	335	245
5/8" - 18	150	110	230	170	325	240	M18 X 2.5	195	145	310	230	405	300
3/4" - 10	235	170	360	265	510	375	M18 X 1.5	220	165	350	260	485	355
3/4" - 16	260	190	405	295	570	420	M20 X 2.5	280	205	440	325	610	450
7/8" - 9	225	165	585	430	820	605	M20 X 1.5	310	230	650	480	900	665
7/8" - 14	250	185	640	475	905	670	M24 X 3	480	355	760	560	1050	780
1" - 8	340	250	875	645	1230	910	M24 X 2	525	390	830	610	1150	845
1" - 12	370	275	955	705	1350	995	M30 X 3.5	960	705	1510	1120	2100	1550
1-1/8" - 7	480	355	1080	795	1750	1290	M30 X 2	1060	785	1680	1240	2320	1710
1-1/8" - 12	540	395	1210	890	1960	1440	M36 X 3.5	1730	1270	2650	1950	3660	2700
1-1/4" - 7	680	500	1520	1120	2460	1820	M36 X 2	1880	1380	2960	2190	4100	3220
1-1/4" - 12	750	555	1680	1240	2730	2010	¹ in-tpi = nominal thread diameter in inches-threads per inch ² N·m = newton-meters ³ ft-lb= foot pounds ⁴ mm x pitch = nominal thread diameter in millimeters x thread pitch						
1-3/8" - 6	890	655	1990	1470	3230	2380							
1-3/8" - 12	1010	745	2270	1670	3680	2710							
1-1/2" - 6	1180	870	2640	1950	4290	3160							
1-1/2" - 12	1330	980	2970	2190	4820	3560							

Torque tolerance + 0%, -15% of torquing values. Unless otherwise specified use torque values listed above.



Warranty

Land Pride warrants to the original purchaser that this Land Pride product will be free from defects in material and workmanship beginning on the date of purchase by the end user according to the following schedule when used as intended and under normal service and conditions for personal use.

Overall Unit: One year Parts and Labor

Shanks: Considered wear items

This Warranty is limited to the replacement of any defective part by Land Pride and the installation by the dealer of any such replacement part, and does not cover common wear items. Land Pride reserves the right to inspect any equipment or parts which are claimed to have been defective in material or workmanship.

This Warranty does not apply to any part or product which in Land Pride's judgment shall have been misused or damaged by accident or lack of normal maintenance or care, or which has been repaired or altered in a way which adversely affects its performance or reliability, or which has been used for a purpose for which the product is not designed. Misuse also specifically includes failure to properly maintain oil levels, grease points, and driveline shafts.

Claims under this Warranty should be made to the dealer which originally sold the product and all warranty adjustments must be made through an authorized Land Pride dealer. Land Pride reserves the right to make changes in materials or design of the product at any time without notice.

This Warranty shall not be interpreted to render Land Pride liable for damages of any kind, direct, consequential, or contingent to property. Furthermore, Land Pride shall not be liable for damages resulting from any cause beyond its reasonable control. This Warranty does not extend to loss of crops, any expense or loss for labor, supplies, rental machinery or for any other reason.

No other warranty of any kind whatsoever, express or implied, is made with respect to this sale; and all implied warranties of merchantability and fitness for a particular purpose which exceed the obligations set forth in this written warranty are hereby disclaimed and excluded from this sale.

This Warranty is not valid unless registered with Land Pride within 30 days from the date of purchase by the end user.

Model Number _____

Serial Number _____



Corporate Office: P.O. Box 5060
Salina, Kansas 67402-5060 USA
www.landpride.com
